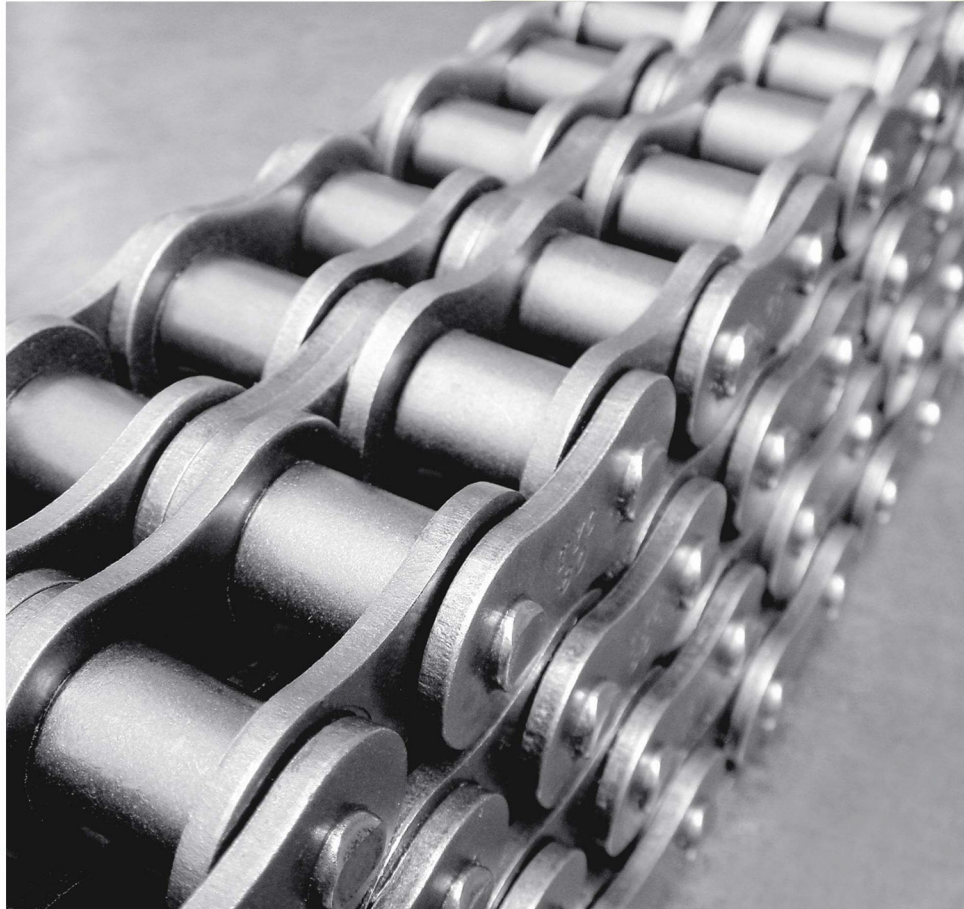




劲普机械

Jinpu Mechanical

Rubber Chains



杭州劲普传动机械有限公司

Hangzhou Jinpu Transmission Mechanical Co., Ltd

www.jpmach.com

中国·浙江

ZHEJIANG CHINA



公司简介 COMPANY PROFILE

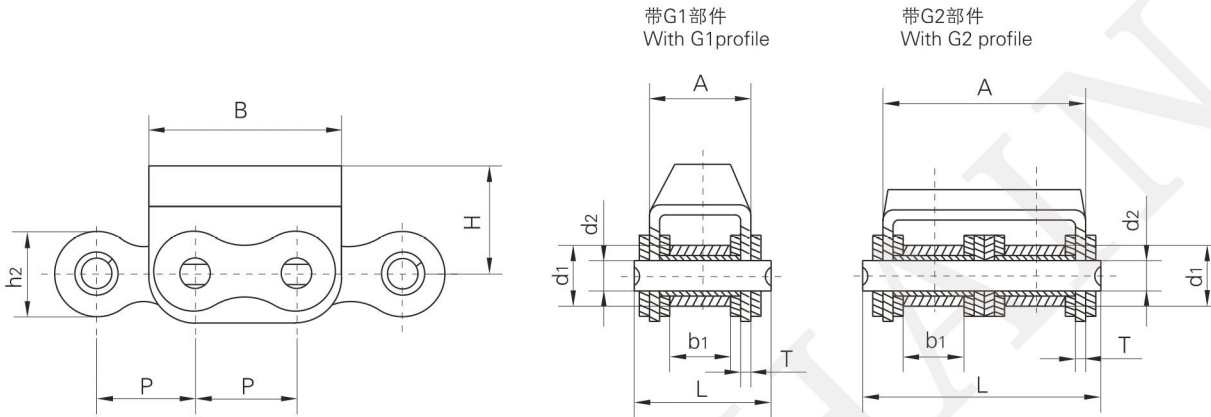
Jinpu, An Enterprise in Zhejiang China, is established over 10 years, 50~100 staff, and an area coverage of 5,000+ square meters for 2 manufacturing plants. Our business scope covers manufacturing Sprocket, Gear, Timing Belt Pulley, Taper Bush, Industrial Chain, mainly focus on non-standard machining parts base on customers' drawings.



橡胶链 Rubber Top chains

顶面橡胶滚子链

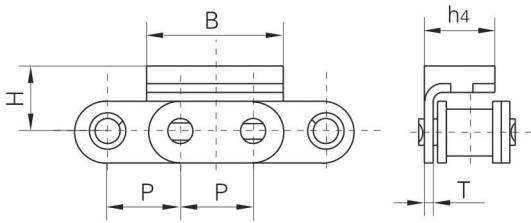
Roller chain with vulcanized elastomer profiles



Chain No.	节距 Pitch	滚子直径 Roller diameter	内节内宽 Width between inner plates	销轴直径 Pin diameter	销轴长度 Pin length	链板、附板尺寸 Plate and attachment dimension					极限拉伸载荷 Ultimate tensile strength	每米长重 Weight per meter
	P	d1 max	b1 min	d2 max	L max	h2 max	A	B	A	T	Q min	q
	mm	mm	mm	mm	mm	mm	mm	mm	mm	mm	kN/LB	kg/m
08B-G1	12.70	8.51	7.75	4.45	20.0	11.8	14.6	24.2	12.3	1.60	18.0/4091	1.19
08B-G2	12.70	8.51	7.75	4.45	34.3	11.8	28.4	24.2	12.3	1.50	32.0/7273	2.07
10B-G1	15.875	10.16	9.65	5.08	23.2	14.7	16.8	30.0	17.0	1.60	19.0/4318	1.62
10B-G2	15.875	10.16	9.65	5.08	39.7	14.7	33.3	30.0	17.0	1.50	44.5/10114	2.56
12B-G1	19.05	12.07	11.68	5.72	25.7	16.0	19.6	36.0	21.0	1.85	29.0/6591	2.01
12B-G2	19.05	12.07	11.68	5.72	45.3	16.0	39.1	36.0	16.0	1.85	57.8/13136	3.21
12A-G1	19.05	11.91	12.57	5.94	29.9	18.0	21.4	37.1	21.0	1.85	31.8/7153	2.55
12AF1-G1	19.05	11.91	17.00	5.94	34.0	18.0	26.0	36.0	16.0	1.85	31.8/7153	2.62
16A-G1	25.40	15.88	15.75	7.92	37.2	24.0	27.5	46.0	20.0	2.42	42.0/9545	3.97
16A-G2	25.40	15.88	15.75	7.92	68.0	24.0	57.2	46.0	20.0	2.42	84/18896	7.27
16B-G1	25.40	15.88	17.02	8.28	39.7	21.0	29.1	49.0	21.4	1.60	58.0/13047	3.83
20A-G1	31.75	19.05	18.90	9.53	46.8	30.0	34.0	57.6	28.0	3.10	86.7/19503	6.15
20B-G1	31.75	19.05	19.56	10.19	48.0	26.4	36.0	57.0	27.0	3.50	85.0/19318	6.19
24B-G1	38.10	25.40	25.40	14.63	61.6	33.2	47.0	72.6	34.0	4.50	160.0/36363	11.25

橡胶链 Rubber Top chains

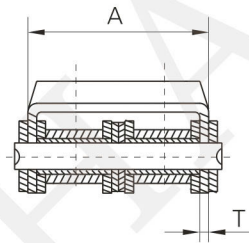
顶面橡胶滚子链
Roller chain with vulcanized elastomer profiles



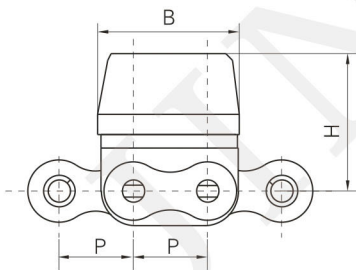
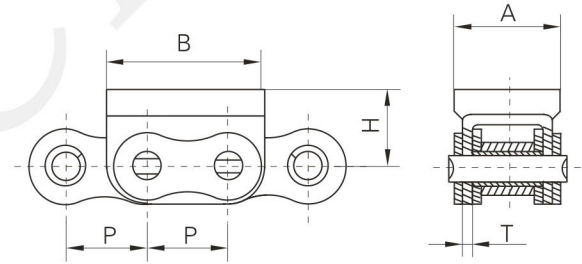
Chain No.	P	B	H	h4	T
	mm	mm	mm	mm	mm
06BF9	9.525	17.73	9.0	9.05	1.3

Chain No.	P	A	B	H	T
	mm	mm	mm	mm	mm
08B-G1F1	12.7	18.0	24.2	12.3	1.6
08B-G2F1	12.7	28.4	24.2	12.0	1.5

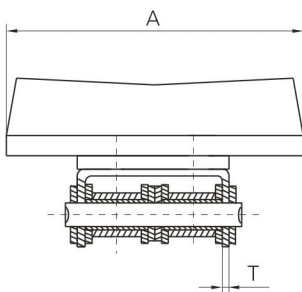
08B-G2F1



Chain No.	P	A	B	H	T
	mm	mm	mm	mm	mm
10B-G1F2	15.875	25.0	30.0	14.0	1.6
10B-G1F3	15.875	20.0	30.0	18.0	1.6

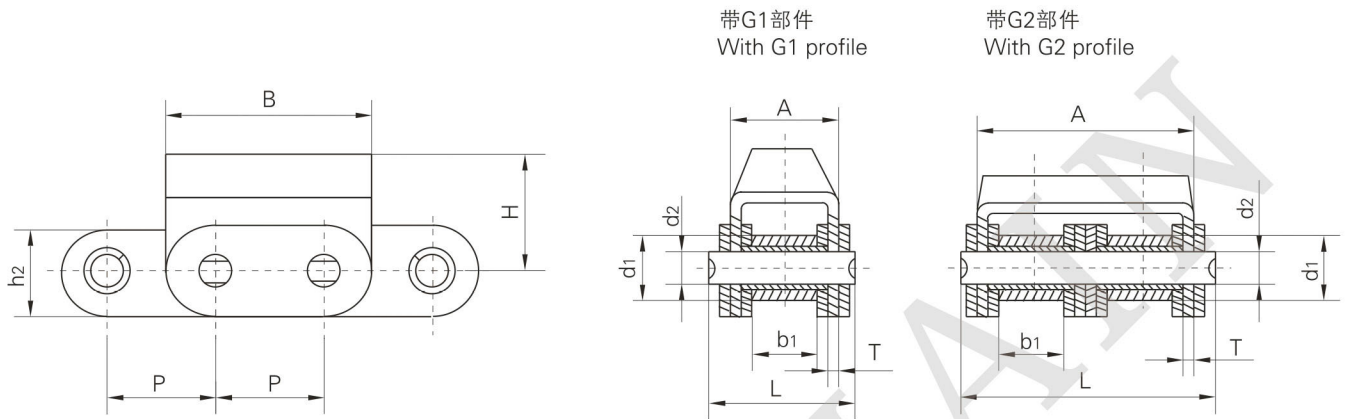


Chain No.	P	A	B	H	T
	mm	mm	mm	mm	mm
12B-G2F3	19.05	77.0	37.0	36.0	1.85
12B-G2F8	19.05	101.0	37.0	36.0	1.85



橡胶链 Rubber Top chains

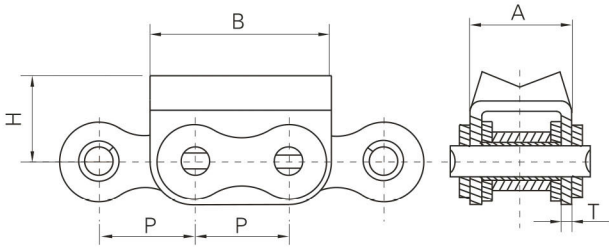
顶面橡胶滚子链
Roller chain with vulcanized elastomer profiles



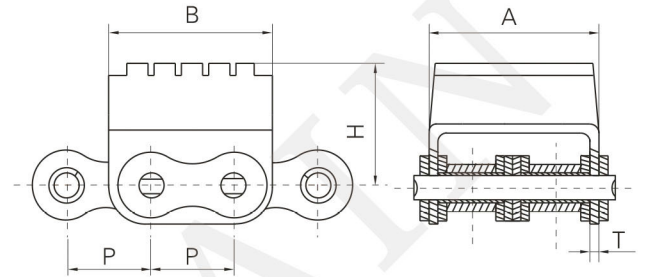
Chain No.	节距	滚子直径	内节内宽	销轴直径	销轴长度	链板、附板尺寸					极限拉伸载荷	每米长重
	Pitch	Roller diameter	Width between inner plates	Pin diameter	Pin length	Plate and attachment dimension					Ultimate tensile strength	Weight per meter
	P	d ₁ max	b ₁ min	d ₂ max	L max	h ₂ max	A	B	H	T	Q min	q
mm	mm	mm	mm	mm	mm	mm	mm	mm	mm	mm	kN/LB	kg/m
C08B-G1	12.700	8.51	7.75	4.45	20.0	11.8	14.6	24.2	12.3	1.60	18.0/4091	1.30
C08B-G2	12.700	8.51	7.75	4.45	34.3	11.8	28.4	24.2	12.3	1.50	32.0/7273	2.29
C10B-G1	15.875	10.16	9.65	5.08	23.2	14.7	16.8	30.0	17.0	1.60	19.0/4318	1.75
C10B-G2	15.875	10.16	9.65	5.08	39.7	14.7	33.3	30.0	17.0	1.50	44.5/10114	2.95
C12B-G1	19.050	12.07	11.68	5.72	25.7	16.0	19.6	36.0	21.0	1.85	29.0/6591	2.15
C12B-G2	19.050	12.07	11.68	5.72	45.3	16.0	39.1	36.0	16.0	1.85	57.8/13136	3.48
C16A-G1	25.400	15.88	15.75	7.92	37.2	24.0	27.5	46.0	20.0	2.42	42.0/9545	4.34
C16B-G1	25.400	15.88	17.02	8.28	39.7	21.0	29.05	49.0	21.4	1.60	58.0/13047	4.11
C20B-G1	31.750	19.05	19.56	10.19	48.0	26.4	36.0	57.0	27.0	3.50	85.0/19318	6.65
C24B-G1	38.100	25.40	25.40	14.63	61.6	33.2	47.0	72.6	34.0	4.50	160.0/36363	11.63

橡胶链 Rubber Top chains

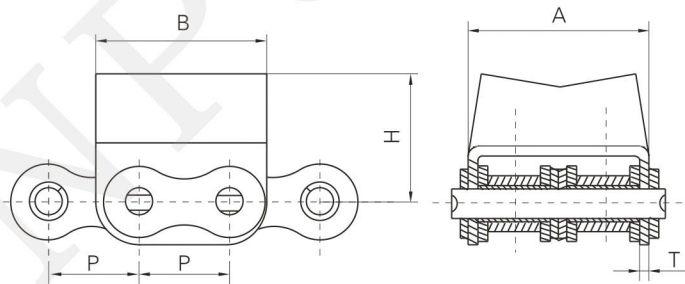
顶面橡胶滚子链
Roller chain with vulcanized elastomer profiles



Chain No.	P	A	B	H	T
	mm	mm	mm	mm	mm
12B-G1F1	19.05	19.6	36.0	18.0	1.85



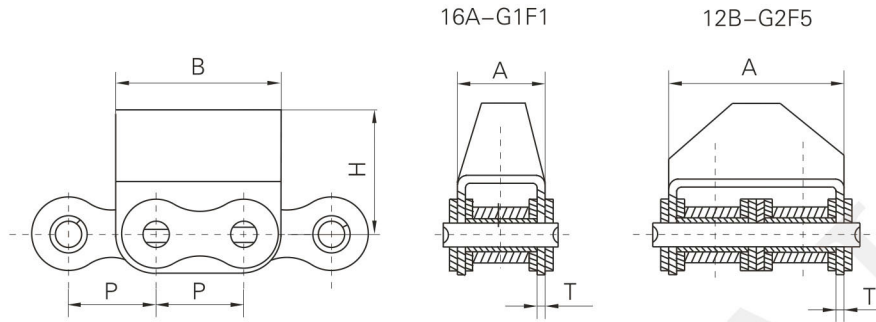
Chain No.	P	A	B	H	T
	mm	mm	mm	mm	mm
12B-G2F6	19.05	39.1	37.3	28.2	1.85



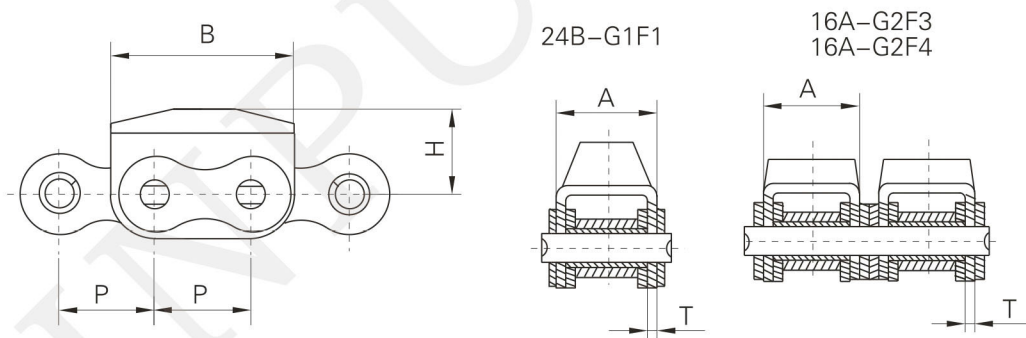
Chain No.	P	A	B	H	T
	mm	mm	mm	mm	mm
12B-G2F4	19.05	39.1	36.0	27.5	1.85

橡胶链 Rubber Top chains

顶面橡胶滚子链
Roller chain with vulcanized elastomer profiles



Chain No.	P	A	B	H	T
	mm	mm	mm	mm	mm
12B-G2F5	19.05	39.1	36.0	28.0	1.85
16A-G1F1	25.40	27.5	46.0	21.4	2.42



Chain No.	P	A	B	H	T
	mm	mm	mm	mm	mm
16A-G2F3	25.4	27.5	49.0	21.4	2.42
16A-G2F4	25.4	27.0	49.2	20.0	2.03
24B-G1F1	38.1	47.0	72.6	34.0	4.5



劲普机械

Jinpu Mechanical

Address: Room 417-1, Building 8, No. 5-4 Yunhe Road, Chongxian Street,
Yuhang District, Hangzhou City, Zhejiang Province, China.

Tel: 86-(0)571-88277778

Fax: 86-(0)571-85853285

E-mail: info@jpmach.com

Website: www.jpmach.com