



劲普机械

Jinpu Mechanical

Sugar Machine Chains And Palm Oil Chains



杭州劲普传动机械有限公司

Hangzhou Jinpu Transmission Mechanical Co., Ltd

www.jpmach.com

中国·浙江

ZHEJIANG CHINA



公司简介 COMPANY PROFILE

Jinpu, An Enterprise in Zhejiang China, is established over 10 years, 50~100 staff, and an area coverage of 5,000+ square meters for 2 manufacturing plants. Our business scope covers manufacturing Sprocket, Gear, Timing Belt Pulley, Taper Bush, Industrial Chain, mainly focus on non-standard machining parts base on customers' drawings.

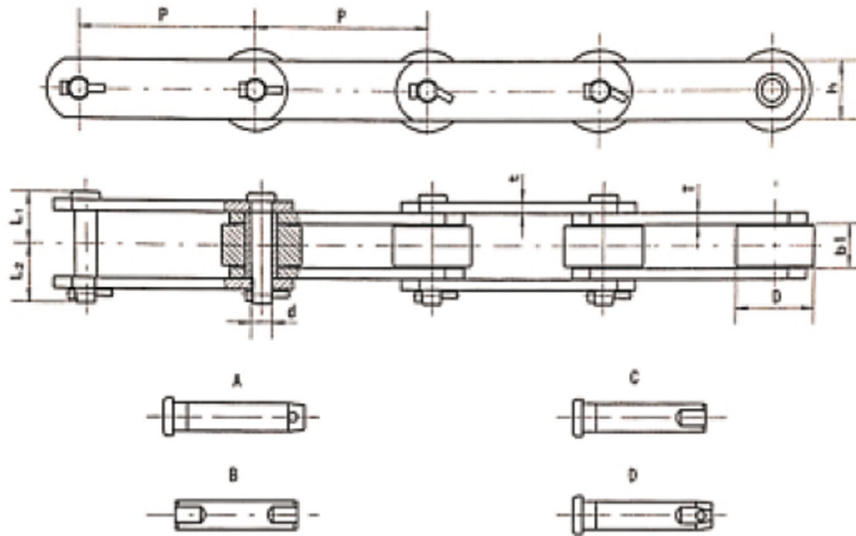


标准糖机链

Standard Sugar Chain

直板型糖机链

Sugar Chains with Straight Plate



链号 Chain No.	节距 Pitch p mm	内节内宽 Inner width of inner link b1 (min) mm	滚子(套筒)外径 Outer diameter of roller (bushing) D (max) mm	销轴 pin				链板 Sidebar		最小抗拉强度 Min. tensile strength Q (min) KN	许用工作载荷 Rated working load KN	每米重量 Weight per meter q kg/m
				d mm	L1 mm	L2 mm	Type	h mm	t/T mm			
P77.5	77.5	36.7	31.7	16	39.5	47.5	D	38	8	188	18.3	10.3
TV SS39	78.1	37.8	31.75	15.88	41.8	46.3	D	38.1	8	213	20.7	10.4
#P80	80	35	23	16	38.9	44.6	D	40	8	240	29	9.34
TV 0904	101.6	29.3	50.8	17.46	31.1	47.4	A	44.5	8	178.4	21.6	13.16
US 101.6	101.6	31.8	57.15	15.88	34.4	38.4	B/C	38.1	6.4	72.3	8.2	11.67
US 127	127	38.4	69.85	19	45.1	51.4	B/C	50.8	9.6	180	20.3	19.22
*TV 09060	152.4	37.7	69.85	18.9	45	49.3	A/D	50.8	9.5	250	28.2	17.2
*TV C09063	152.4	38	76.2	23.83	47.1	54.9	A	60.3	10.3	622.3	36.1	21.88
TV C09063S	152.4	38	76.2	23.83	47.1	54.9	D	61.9	10.3	635	36.9	22.2
*TV 1796	152.4	37.8	69.85 76.2 73	22.23	43.9	53.2	D	57.2	9.5	444.5	33.3	18.5 19.5 19.2
*TV C09061	152.4	37.7	69.85	18.9	44.9	50.3	A	57.2	9.5	377.9	28.2	18.74

*链条销轴与套筒有碳钢和不锈钢两种材质

#链条为套筒链，无滚子

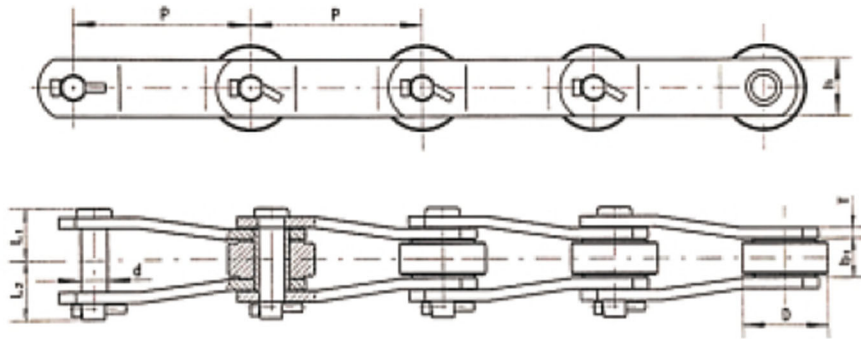
*Chain: there are two kinds of materials for pin and busing, which are carbon steel and stainless steel.

#Chain: bushed chain with no roller

标准糖机链

Standard Sugar Chain

弯板型糖机链 Sugar Chains with Bent Plate



链号 Chain No.	节距 Pitch p mm	窄端内宽 Inner width of close end b1 (min) mm	滚子(套筒)外径 Outer diameter of roller (bushing) D (max) mm	31.75销轴 pin			侧板 Sidebar		最小抗拉强度 Min tensile strength Q (min) KN	许用工作载荷 Rated working load KN	每米重量 Weight per meter q kg/m
				d mm	L1 mm	L2 mm	h mm	T mm			
*#SS100D	100	33.27	33.27	17.27	38.4	48.6	44.5	8	200	17.8	10.47
TV 1125	101.6	32.6	50.8	17.5	37.9	45	50.8	7.9	210	18.26	
*TV D2184	152.4	34.9	76.2	22.23	43.9	51.2	50.8	9.5	355.6	31.6	17.7
TV W1796	152.4	37.8	69.85	22.23	44.2	52.9	57.2	9.5	444.5	31.6	18.59
TV 09063	152.4	38	76.2	23.83	47.1	54.9	60.3	10.3	622.3	36.1	21.83
TV 8184	203.2	45.9	88.9	25.4	59.7	65.8	69.9	12.7	742.4	47.6	29.2
TV C2614	304.8	69.85	63.5	31.75	78.5	84.5	88.9	15.9	1000	84.5	33.68

*链条销轴与套筒有碳钢和不锈钢两种材质

#链条为套筒链，无滚子

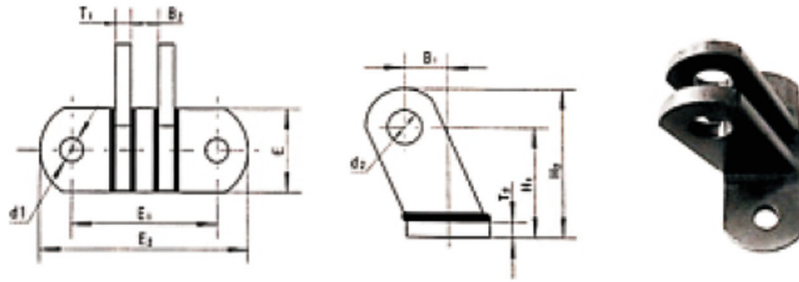
*Chain: there are two kinds of materials for pin and busing, which are carbon steel and stainless steel.

#Chain: bushed chain with no roller

特殊糖机链

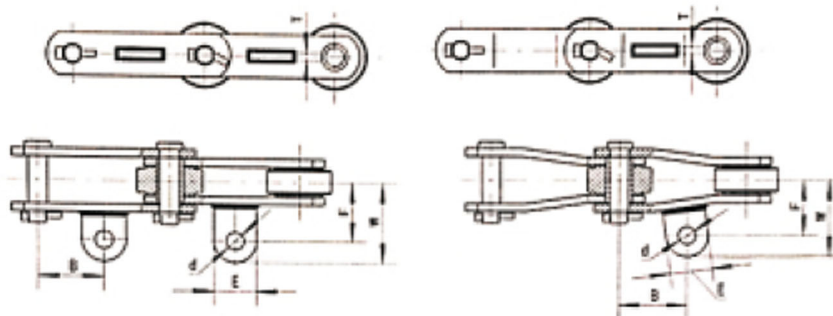
Sugar Chain with attachment

糖机链附件 Sugar Chains- Attachment



Type C22

Type	E mm	E1 mm	E2 mm	B1 mm	B2 mm	T1 mm	T2 mm	H1 mm	H2 mm	d1 mm	d2 mm
1C22	50.8	82.6	114.3	22.17	16.7	9.5	9.5	35	55.5	14.3	21
2C22	50.8	88.9	127	25.4	16.8	9.5	9.5	66.8	90.6	13/14.2	20.8
3C22	50.8	88.9	127	25.4	17.8	9.5	9.5	66.8	90.6	14.2	16.8
4C22	50.8	88.9	127	25.4	16.8	9.5	9.5	66.8	90.6	14.2	19.8



Type A42

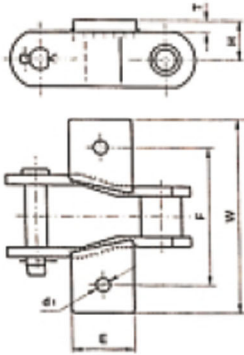
链号 Chain No.	B mm	F mm	W mm	E mm	d mm	T mm	Type
TV 09060	76.2	67	87.4	45	21	15	A
TV 09063	76.2	74.6	99.6	50	20.64	15	B
TV 1796	76.2	67	87.4	45	21	15	A
TV W1796	76.2	66.9	89.5	45	21	15	B
TV D2184	76.2	66.7	92.1/88.7	50.8/44	21	15	B
TV D2184B	76.2	66.7	88.7	44	21	15	B
TV 8184	101.6	84.8	107.2	50.8	19.8	15	B
TV C09061	76.2	67	87.4	45	21	15	A

特殊糖机链

Sugar Chain with attachment

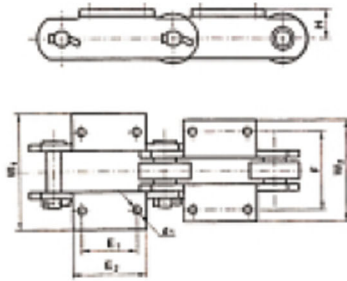
糖机链附件

Sugar Chains- Attachment



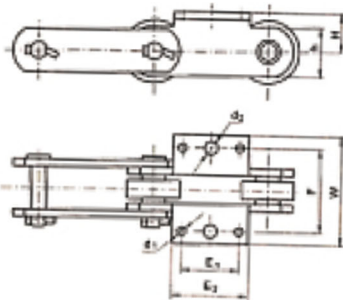
Type K1

链号 Chain No.	F mm	W mm	E mm	d mm	T mm	H mm
SS100D	112.78	159	50	11.2	9.5	31.75



Type K2

链号 Chain No.	H mm	E1 mm	E2 mm	d1 mm	F mm	W1 mm	W2 mm
TV 09060	41.3	76.2	114.3	13	111.1	171.5	151.7
TV 09061	41.3	76.2	114.3	13	111.1	165.1	144.7
TV C09063	44.5	76.2	114.3	14.3/12.7	111.1	165.1	143.1
TV 1796	41.3	76.2	114.3	11.1/13/14	111.1	165.1	144.7



Type K3

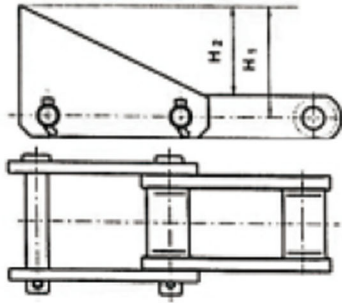
链号 Chain No.	H mm	h mm	E1 mm	E2 mm	d1 mm	d2 mm	F mm	W mm
US101.6	36	44.4	50.8	82.6	10.3	15	101.6	133.6
US127	39.6	50.8	50.8	82.6	10.3	13.5	103.4	139.4

特殊糖机链

Sugar Chain with attachment

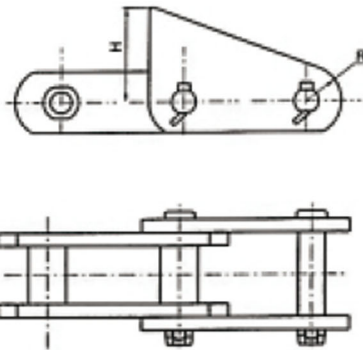
糖机链附件

Sugar Chains- Attachment



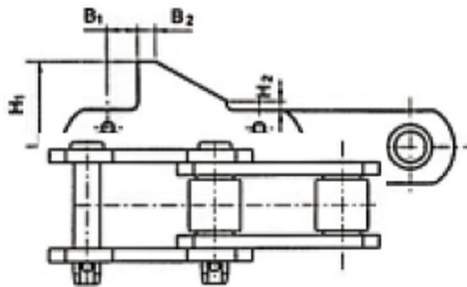
TypeS1

链号 Chain No.	H1 mm	H2 mm
TV C132	127	101.6



TypeH

链号 Chain No.	H mm	R mm
P80	62	23



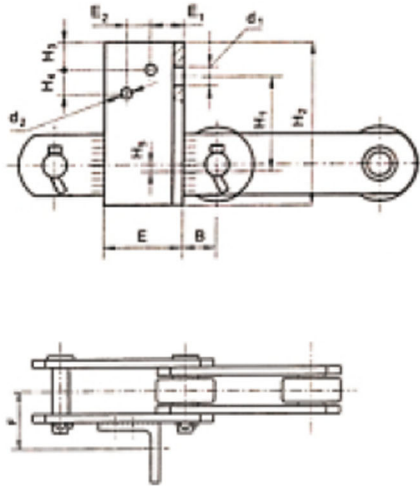
TypeH

链号 Chain No.	H1 mm	H2 mm	B1 mm	B2 mm
P77.5	44	5	16.25	9

特殊糖机链

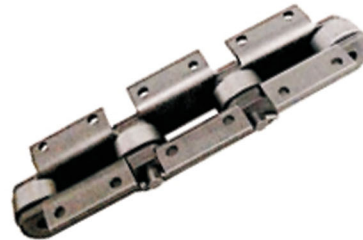
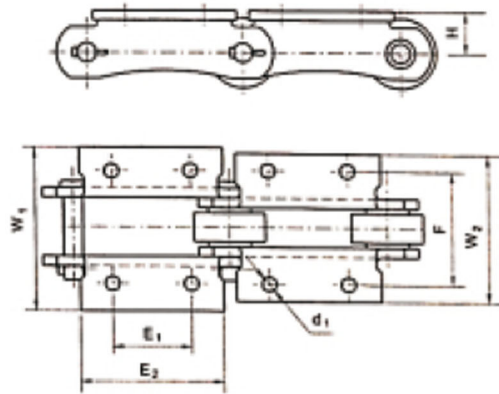
Sugar Chain with attachment

糖机链附件
Sugar Chains-Attachment



Type F

链号 Chain No.	B mm	F mm	H1 mm	H2 mm	H3 mm	H4 mm	H5 mm	E mm	E1 mm	E2 mm	d1 mm	d1 mm
TV C09063	31.4	73.5	88.9	152.4	25.4	22.5	6.35	75	31.8	22.5	17.5	13.1



Type K2

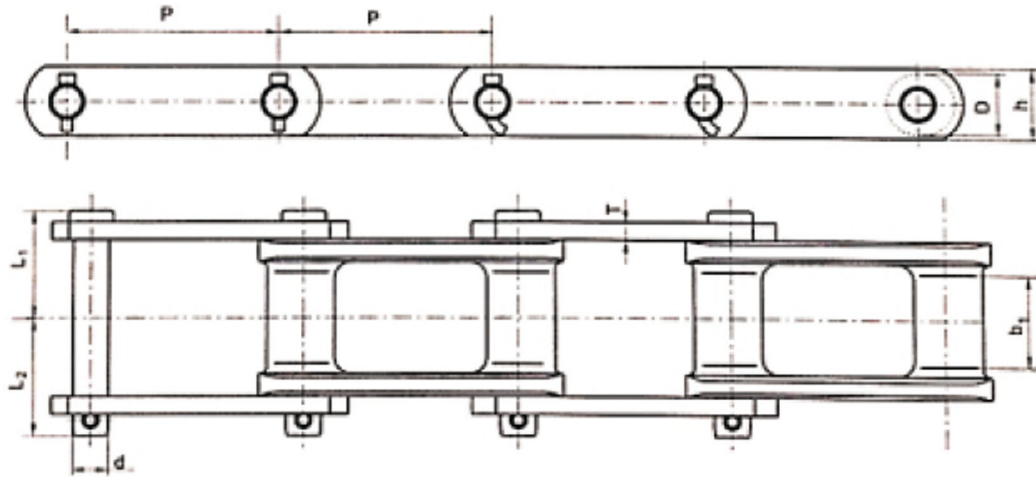
链号 Chain No.	H mm	E1 mm	E2 mm	d1 mm	F mm	W1 mm	W2 mm
TV SS996	41.4	76.2	139.7	14.2	111.1	19.1	149.2

特殊糖机链

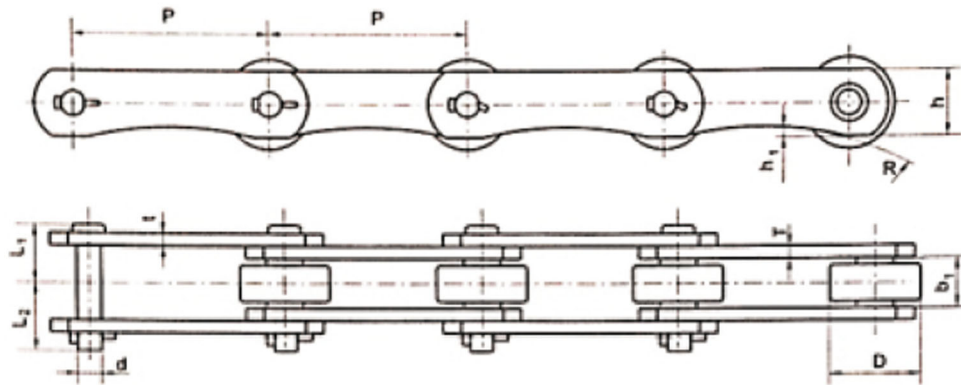
Sugar Chain with attachment

其它型糖机链

Sugar Chains with Other Types



链号 Chain No.	节距 Pitch p mm	铸造链节 Cast chain link			销轴 pin			链板 Sidebar		最小抗拉强度 Min. tensile strength Q (min) KN	许用工作载荷 Rated working load KN	每米重量 Weight per meter q kg/m
		b_1 (max) mm	b_2 (max) mm	D (max) mm	d mm	L_1 mm	L_2 mm	h mm	T mm			
TVC132	152.4	73	111.5	48.5	25.4	75	90	50.8	12.7	267	44.45	21.49



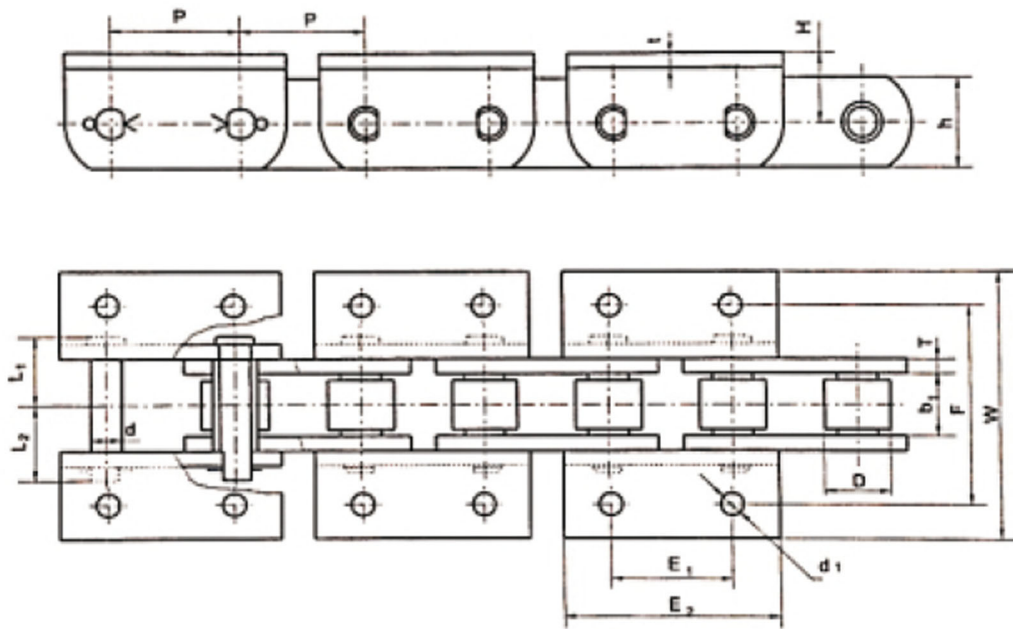
链号 Chain No.	节距 Pitch p mm	内节内宽 Inner width of inner link b_1 (min) mm	滚子(套筒)外径 Outer diameter of roller (bushing) D (max) mm	销轴 pin			链板 Sidebar				最小抗拉强度 Min. tensile strength Q (min) KN	许用工作载荷 Rated working load KN	每米重量 Weight per meter q kg/m
				d mm	L_1 mm	L_2 mm	h mm	h_1 mm	R mm	t/T mm			
TVSS996	152.4	37.7	69.85	18.9	44.9	49.4	50.8	7.87	266.7	9.5	311	28.23	16.86

特殊糖机链

Sugar Chain with attachment

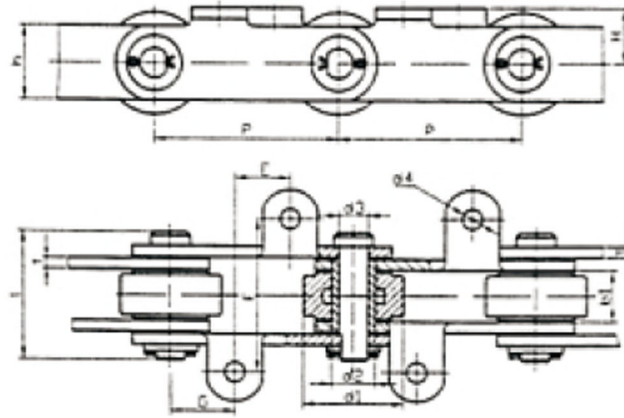
其它型糖机链

Sugar Chains with Other Types

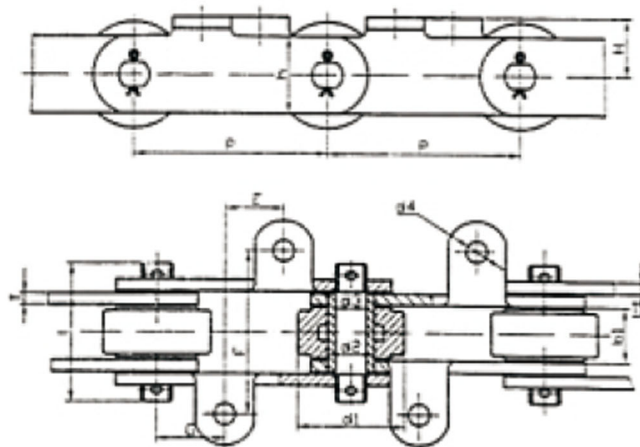


H mm	E1 mm	E2 mm	d1 mm	F mm	W mm
44.5	76.2	135	14.3	127	170

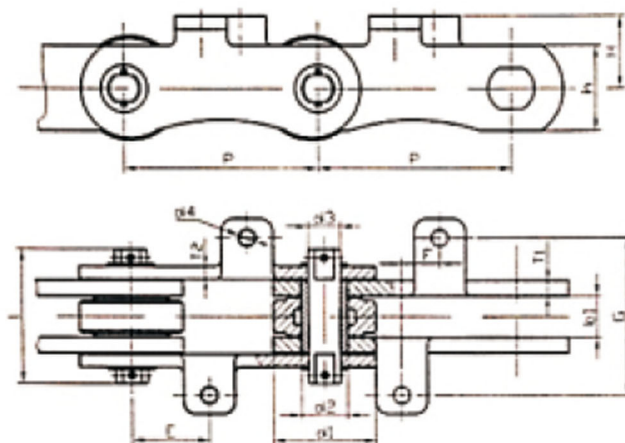
链号 Chain No.	节距 Pitch p mm	内节内宽 Inner width of inner link b1 (min) mm	滚子外径 Outer diameter of roller D (max) mm	销轴 pin			链板 Sidebar		最小抗拉强度 Min. tensile strength Q (min) KN	许用工作载荷 Rated working load KN	每米重量 Weight per meter q kg/m
				d mm	L1 mm	L2 mm	h mm	t/T mm			
TV T3067H-BK2	77.9	39.5	41.4	19.05	44.4	43.4	57	9.5	490	26.73	23.03

糖机输送链
Conveyor Sugar Chain
糖机输送链
Conveyor Sugar Chain


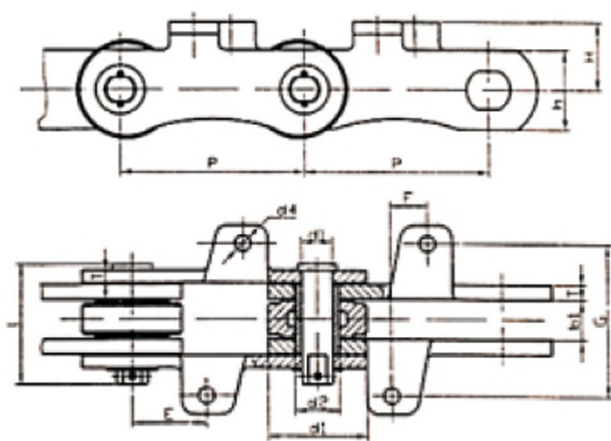
链号 Chain No.	节距 Pitch p mm	滚子直径 Diameter of roller d1 (min) mm	内节内宽 Inner width of inner link b1 (min) mm	套筒直径 Diameter of bushing d2 mm	销轴直径 Diameter of pin d3 mm	销轴长度 length of pin l mm	侧板高度 Height of sidebar h mm	侧板厚度 Thickness of sidebar T mm	其它参数 Data of other					破断载荷 Breaking load Q (min) KN	每米重量 Weight per meter q kg/m
									E mm	F mm	G mm	H mm	d4 mm		
TV/T80-100Pa I-S	100	55	30	22	16	73	40	6	40	84	30	29	11	80	12



链号 Chain No.	节距 Pitch p mm	滚子直径 Diameter of roller d1 (min) mm	内节内宽 Inner width of inner link b1 (min) mm	套筒直径 Diameter of bushing d2 mm	销轴直径 Diameter of pin d3 mm	销轴长度 length of pin l mm	侧板高度 Height of sidebar h mm	侧板厚度 Thickness of sidebar T mm	其它参数 Data of other					破断载荷 Breaking load Q (min) KN	每米重量 Weight per meter q kg/m
									E mm	F mm	G mm	H mm	d4 mm		
TV/T100-100Pa I-S	100	55	28	24	16	71	40	6	30	84	35	30	11	100	11

糖机输送链
Conveyor Sugar Chain
糖机输送链
Conveyor Sugar Chain


链号 Chain No.	节距 Pitch p mm	滚子直径 Diameter of roller d1 (min) mm	内节内宽 Inner width of inner link b1 (min) mm	套筒直径 Diameter of bushing d2 mm	销轴直径 Diameter of pin d3 mm	销轴长度 length of pin l mm	链板高度 Height of sidebar h mm	链板厚度 Thickness of sidebar		其它参数 Data of other						破断载荷 Breaking load Q (min) KN	每米重量 Weight per meter q kg/m
								T1 mm	T2 mm	E mm	F mm	G mm	H mm	d4 mm			
TV/T380-150Pa I-S	150	80	32	36	25	104	65	12	10	60	30	122	55	13	380	24.5	
TV/T330-150Pa II-S	150	80	32	36	25	104	65	12	10	60	30	122	55	13	330	24.5	

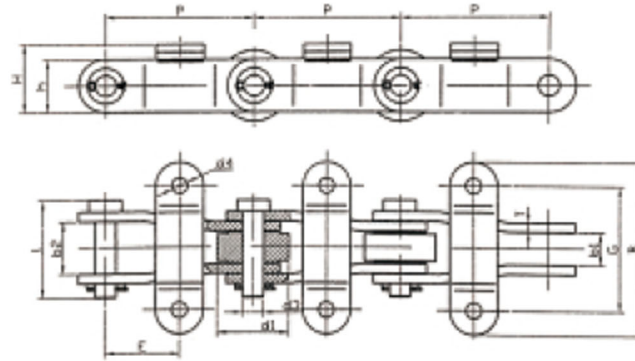


链号 Chain No.	节距 Pitch p mm	滚子直径 Diameter of roller d1 (min) mm	内节内宽 Inner width of inner link b1 (min) mm	套筒直径 Diameter of bushing d2 mm	销轴直径 Diameter of pin d3 mm	销轴长度 length of pin l mm	链板高度 Height of sidebar h mm	链板厚度 Thickness of sidebar T mm	其它参数 Data of other						破断载荷 Breaking load Q (min) KN	每米重量 Weight per meter q kg/m
									E mm	F mm	G mm	H mm	d4 mm			
TV/T330-154Pa II-S	154	80	32	36	25	100	65	12	57	40	122	53	14	330	27.55	
TV/T380-154Pa I-S	154	80	32	36	25	100	65	12	57	40	122	53	14	380	27.55	

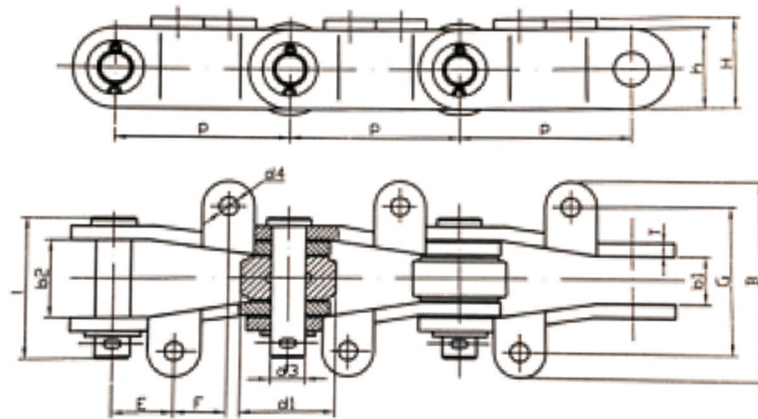
糖机输送链

Conveyor Sugar Chain

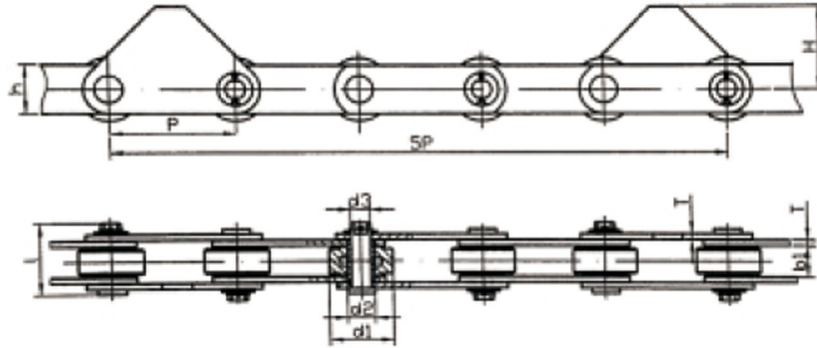
糖机输送链 Conveyor Sugar Chain



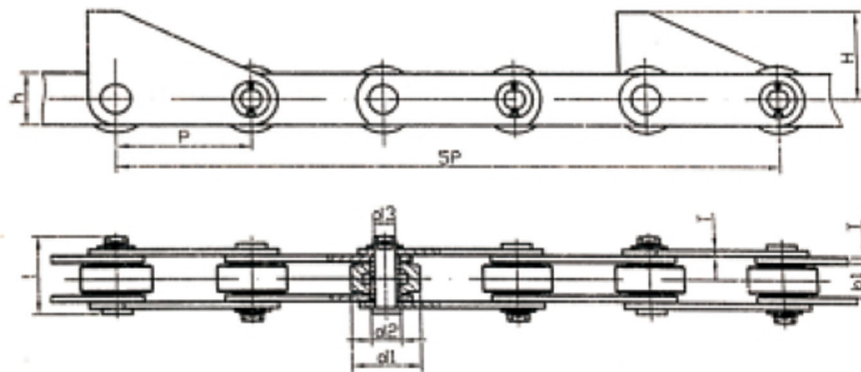
链号 Chain No.	节距 Pitch p mm	滚子直径 Diameter of roller d1 (min) mm	内节内宽 Inner width of inner link b1 (min) mm	外节内宽 Inner width of outer link b2 mm	销轴直径 Diameter of pin d3 mm	销轴长度 length of pin l mm	链板高度 Height of sidebar h mm	链板厚度 Thickness of sidebar T mm	其它参数 Data of other					破断载荷 Breaking load Q (min) KN	每米重量 Weight per meter q kg/m
									E mm	G mm	B mm	H mm	d4 mm		
TV/T278-154PHa II-S	154	75	34	56	22	102	56	10	77	130	180	71.5	17	278	22.5



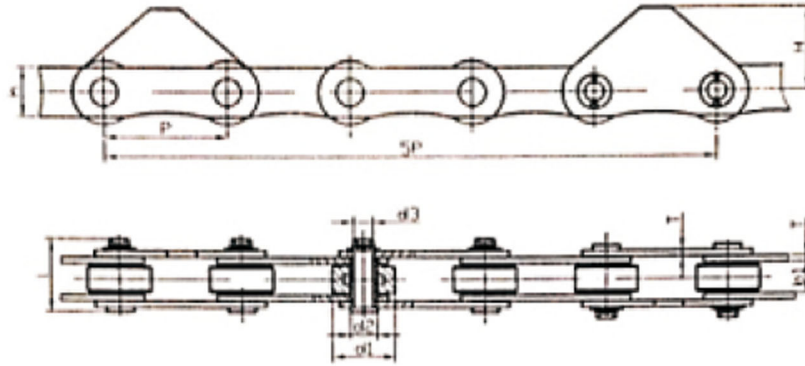
链号 Chain No.	节距 Pitch p mm	滚子直径 Diameter of roller d1 (min) mm	内节内宽 Inner width of inner link b1 (min) mm	外节内宽 Inner width of outer link b2 mm	销轴直径 Diameter of pin d3 mm	销轴长度 length of pin l mm	链板高度 Height of sidebar h mm	链板厚度 Thickness of sidebar T mm	其它参数 Data of other					破断载荷 Breaking load Q (min) KN	每米重量 Weight per meter q kg/m	
									E mm	F mm	G mm	B mm	H mm			d4 mm
TV/T160-100PHa I-S	100	55	28	46	20	80	48	8	35	30	86	116	54	11	160	14

糖机输送链
Conveyor Sugar Chain
糖机输送链
Conveyor Sugar Chain


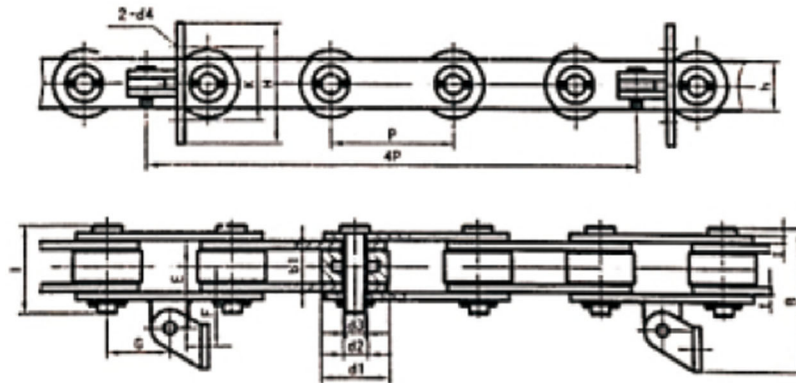
链号 Chain No.	节距 Pitch p mm	滚子直径 Diameter of roller d1 (min) mm	内节内宽 Inner width of inner link b1 (min) mm	套筒直径 Diameter of bushing d2 mm	销轴直径 Diameter of pin d3 mm	销轴长度 length of pin l mm	链板高度 Height of sidebar h mm	链板厚度 Thickness of sidebar T mm	其它参数 Data of other H mm	破断载荷 Breaking load Q (min) KN	每米重量 Weight per meter q kg/m
TV/T120-125PE I-W	125	65	32	28	20	74	50	6	85	120	12.79
TV/T140-125PE I-W	125	65	32	28	20	82	50	8	85	140	13.88



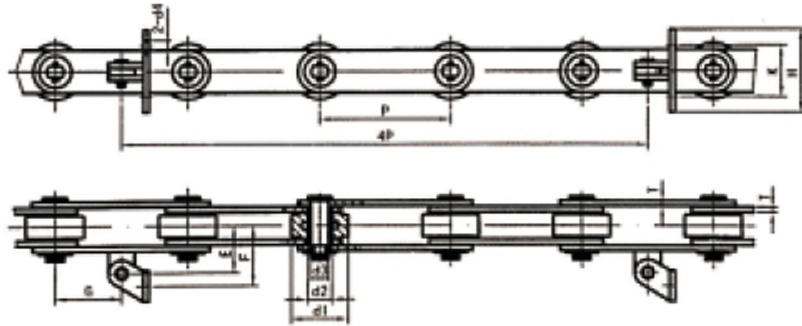
链号 Chain No.	节距 Pitch p mm	滚子直径 Diameter of roller d1 (min) mm	内节内宽 Inner width of inner link b1 (min) mm	套筒直径 Diameter of bushing d2 mm	销轴直径 Diameter of pin d3 mm	销轴长度 length of pin l mm	链板高度 Height of sidebar h mm	链板厚度 Thickness of sidebar T mm	其它参数 Data of other H mm	破断载荷 Breaking load Q (min) KN	每米重量 Weight per meter q kg/m
TV/T120-125PG I-W	125	65	32	28	20	74	50	6	85	120	15.42
TV/T140-125PG I-W	125	65	32	28	20	82	50	8	85	140	17.14

糖机输送链
Conveyor Sugar Chain
糖机输送链
Conveyor Sugar Chain


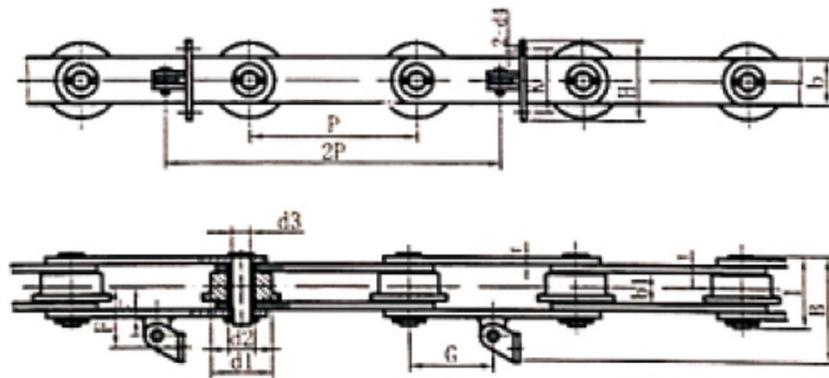
链号 Chain No.	节距 Pitch p mm	滚子直径 Diameter of roller d1 (min) mm	内节内宽 Inner width of inner link b1 (min) mm	套筒直径 Diameter of bushing d2 mm	销轴直径 Diameter of pin d3 mm	销轴长度 length of pin l mm	链板高度 Height of sidebar h mm	链板厚度 Thickness of sidebar T mm	其它参数 Data of other		破断载荷 Breaking load Q (min) KN	每米重量 Weight per meter q kg/m
									H mm			
TV/ T330-154PE II-W	154	80	32	36	25	100	65	12	95	330	25.16	
TV/ T380-154PE I-W	154	80	32	36	25	100	65	12	95	380	25.16	



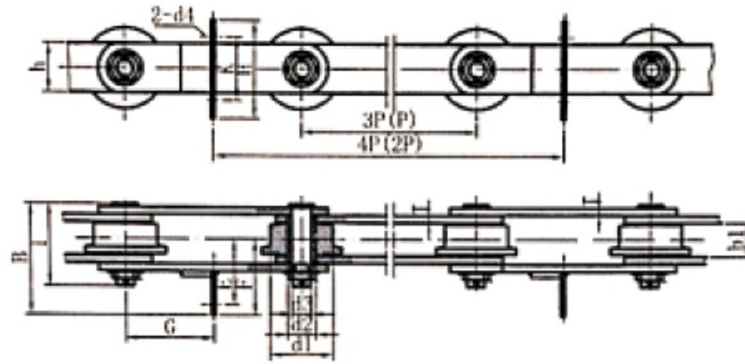
链号 Chain No.	节距 Pitch p mm	滚子直径 Diameter of roller d1 (min) mm	内节内宽 Inner width of inner link b1 (min) mm	套筒直径 Diameter of bushing d2 mm	销轴直径 Diameter of pin d3 mm	销轴长度 length of pin l mm	链板高度 Height of sidebar h mm	链板厚度 Thickness of sidebar T mm	其它参数 Data of other							破断载荷 Breaking load Q (min) KN	每米重量 Weight per meter q kg/m
									E mm	F mm	G mm	H mm	K mm	B mm	d4 mm		
TV/ T100-100Pc I-G	100	55	28	24	16	71	40	6	50	65	50	98	60	116	11	100	10.34

糖机输送链
Conveyor Sugar Chain
糖机输送链
Conveyor Sugar Chain


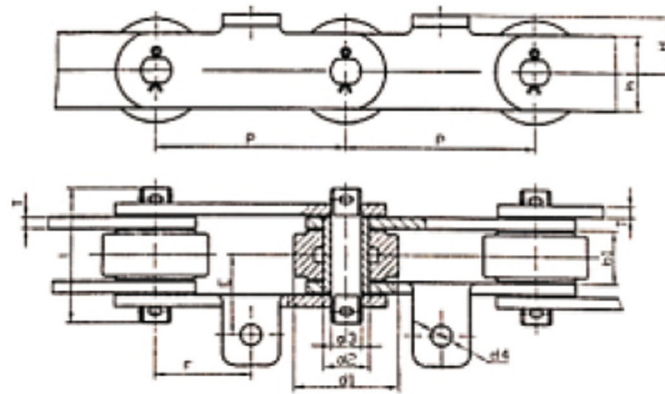
链号 Chain No.	节距 Pitch p mm	滚子直径 Diameter of roller d1 (min) mm	内节内宽 Inner width of inner link b1 (min) mm	套筒直径 Diameter of bushing d2 mm	销轴直径 Diameter of pin d3 mm	销轴长度 length of pin l mm	链板高度 Height of sidebar h mm	链板厚度 Thickness of sidebar T mm	其它参数 Data of other						破断载荷 Breaking load Q (min) KN	每米重量 Weight per meter q kg/m
									E mm	F mm	G mm	H mm	K mm	d4 mm		
TV/T120-150PcI-G	150	65	32	28	20	74	50	6	50	65	75	98	60	11	120	11.89



链号 Chain No.	节距 Pitch p mm	滚子直径 Diameter of roller d1 (min) mm	内节内宽 Inner width of inner link b1 (min) mm	套筒直径 Diameter of bushing d2 mm	销轴直径 Diameter of pin d3 mm	销轴长度 length of pin l mm	链板高度 Height of sidebar h mm	链板厚度 Thickness of sidebar T mm	其它参数 Data of other						破断载荷 Breaking load Q (min) KN	每米重量 Weight per meter q kg/m	
									E mm	F mm	G mm	H mm	K mm	B mm			d4 mm
TV/T160-200FcI-G	200	72	39	32	22	88	56	8	65	80	125	96	60	126	11	160	15.75
TV/T126-250FcI-G	250	75	38	24	16	88	40	6	55	70	125	130	100	126	13	126	10.58
TV/T160-250FcI-G	250	72	39	39	22	88	56	8	65	80	125	98	60	126	11	160	13.67

糖机输送链
Conveyor Sugar Chain
糖机输送链
Conveyor Sugar Chain


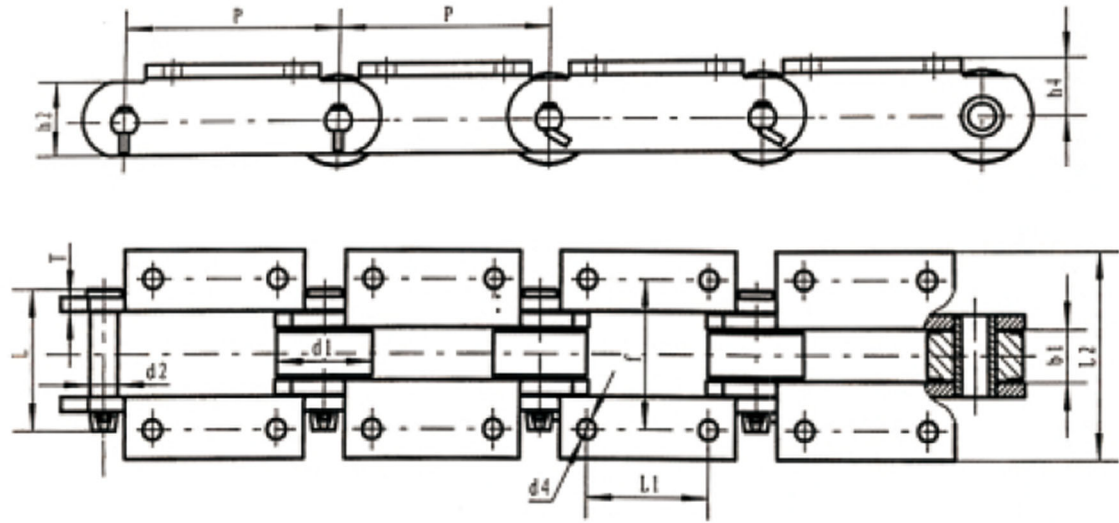
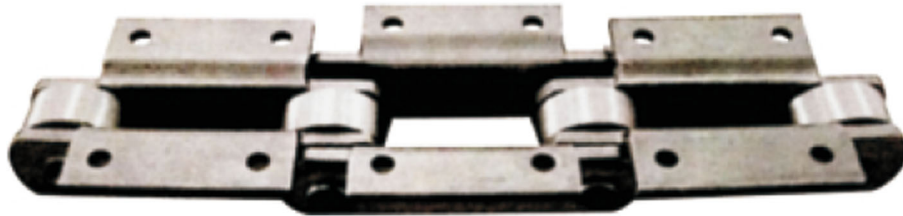
链号 Chain No.	节距 Pitch p mm	滚子直径 Diameter of roller d1 (min) mm	内节内宽 Inner width of inner link b1 (min) mm	套筒直径 Diameter of bushing d2 mm	销轴直径 Diameter of pin d3 mm	销轴长度 length of pin l mm	链板高度 Height of sidebar h mm	链板厚度 Thickness of sidebar T mm	其它参数 Data of other							破断载荷 Breaking load Q (min) KN	每米重量 Weight per meter q kg/m
									E mm	F mm	G mm	H mm	K mm	B mm	d4 mm		
TV/T120-150FDI-G	150	65	42	28	20	106	50	8	66.5	88	75	140	100	130	12	120	17.24
TV/T160-250FDI-G	250	90	44	32	22	104	56	8	80	10	125	100	70	131	13	160	17



链号 Chain No.	节距 Pitch p mm	滚子直径 Diameter of roller d1 (min) mm	内节内宽 Inner width of inner link b1 (min) mm	套筒直径 Diameter of bushing d2 mm	销轴直径 Diameter of pin d3 mm	销轴长度 length of pin l mm	链板高度 Height of sidebar h mm	链板厚度 Thickness of sidebar T mm	其它参数 Data of other				破断载荷 Breaking load Q (min) KN	每米重量 Weight per meter q kg/m
									E mm	F mm	H mm	d4 mm		
TV/T50-100PI-F	100	45	25	18	12	57	32	4	50	50	27	11	50	5.5

糖机输送链
Conveyor Sugar Chain

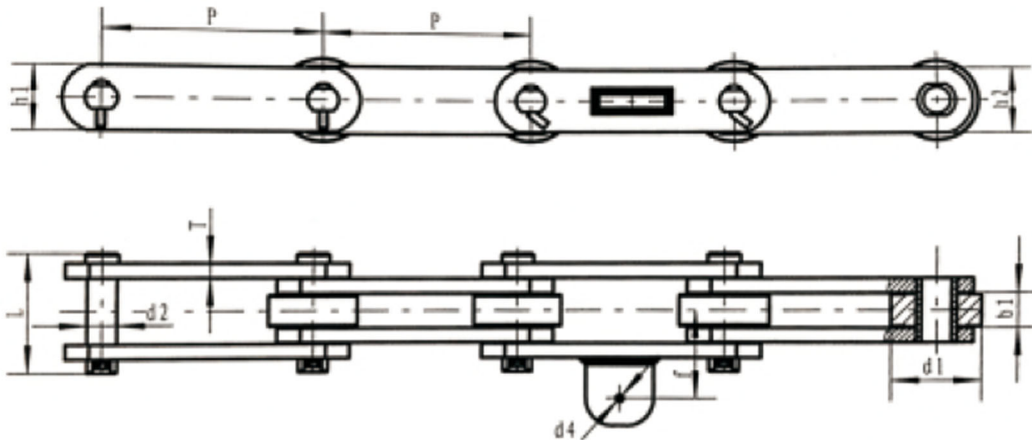
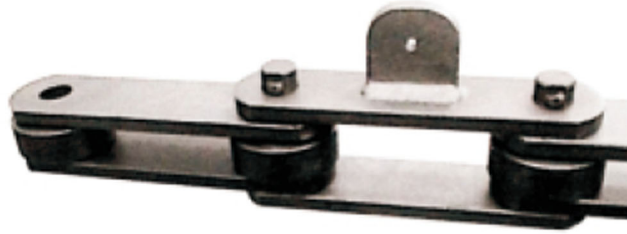
糖机输送链
Conveyor Sugar Chain



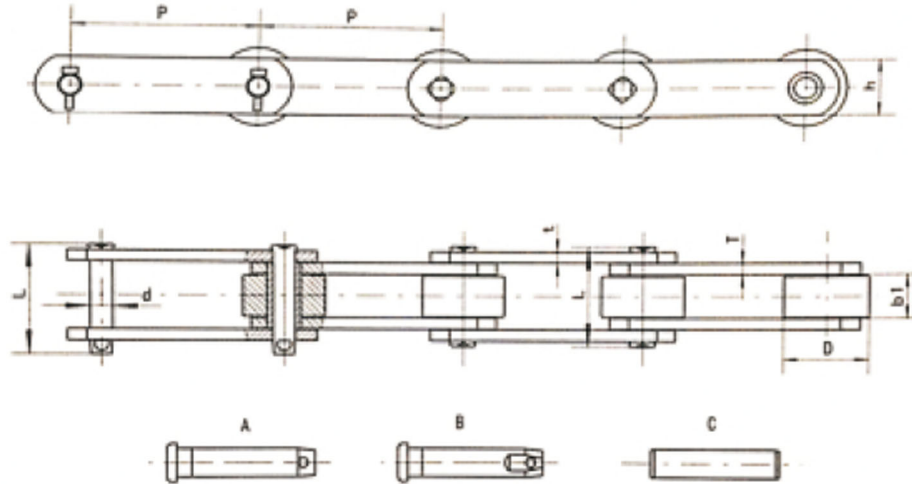
链号 Chain No.	节距 Pitch p mm	内节内宽 Inner width of inner link b1 (min) mm	销轴直径 Diameter of pin d2 mm	滚子直径 Diameter of roller d1 mm	链板高度 Height of sidebar h2 mm	链板厚度 Thickness of sidebar T mm	销轴长度 length of pin l mm	附板中心距 Central distance of attachment f mm	附板孔距 Holes distance of attachment L1 mm	附板孔径 Hole diameter of attachment d4 mm	翼板宽度 width of att sidebar L2 mm	翼板高度 Height of att sidebar h4 mm	抗拉强度 Tensile strength KN
TV800	203.2	46.1	25.4	88.9	71.4	12.7	124	132.1	114.3	17.5	183.1	55.5	600
TV2800	203.2	46.1	25.4	88.9	76.2	12.7	120	132.1	82.5	16	182	55.5	450
TV2190	152.4	38.1	22.2	76.2	63.5	12.7	109	112	76.2	14	148.7	46.75	400

糖机输送链
Conveyor Sugar Chain

糖机输送链
Conveyor Sugar Chain



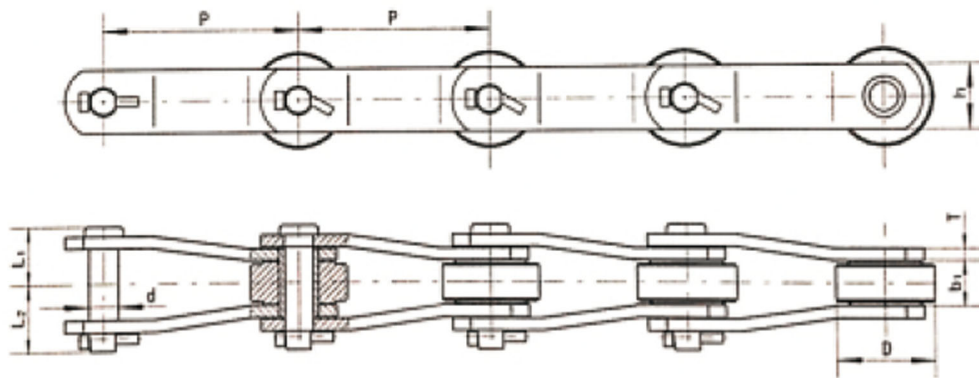
链号 Chain No.	节距 Pitch p mm	内节内宽 Inner width of inner link b1 (min) mm	销轴直径 Diameter of pin d2 mm	滚子直径 Diameter of roller d1 mm	外链板高度 Height of outer sidebar h1 mm	内链板高度 Height of inner sidebar h2 mm	链板厚度 Thickness of sidebar T mm	销轴长度 length of pin l mm	附板孔距 Holes distance of attachment L1 mm	附板孔径 Hole diameter of attachment d4 mm	抗拉强度 Tensile strength KN
TV228.6	228.6	38	32.5	98	75	80	16	130	97	8	900

标准棕榈油链
Standard Palm Oil Chain
直板型棕榈油链
Palm Oil Chains with Straight Plate


链号 Chain No.	节距 Pitch p mm	内节内宽 Inner width of inner link b1 (min) mm	滚子(套筒)外径 Outer diameter of roller (bushing) D (max) mm	销轴 pin			链板 Sidebar		最小抗拉强度 Min. tensile strength Q (min) KN	许用工作载荷 Rated working load KN	每米重量 Weight per meter q kg/m
				d mm	L1 mm	Type	h mm	t/T mm			
TV 150040	101.6	19	47.6	19.05	47.6	C	38.1	3.8/5.1	66.6	-	-
TV 200040	101.6	19.05	47.6	19.05	47.6	C	38.1	5.08	99.8	-	-
TV 200060	152.4	19.05	47.6	19.05	47.6	C	38.1	5.08	99.8	-	-
TV 400040	101.6	25.4	66.7	26.92	63	C	50.8	6.5/7.8	182	-	-
TV 400060	152.4	25.4	66.7	26.92	63	C	50.8	6.5/7.8	182	-	-
TV 7.5	101.6	15.24	31.75	13.97	46	-	25.4	5.08	33.4	-	-
TV 90R	101.6	22.2	47.6	11.1	53	B	32	4.5	88	-	-
TV 94R	101.6	30	50.8	14.27	70	B	38.1	6.3	133	-	-
TV B3076	76.2	15.2	31.75	13.97	48	A	25.8	4	33.4	3.1	3.7
TV B5289	152.4	25	66.8	22.07	67.6	A	50.8	6.4	178	17.3	11.35
TV B5257	152.4	36	34.95	17.4	86.5	B	44.45	8	223	21.8	9.19
TV B5326H	152.4	19	47.5	19.05	56.5	A	38.1	5	88.9	8.5	5.78
TV ES6P36	152.4	25.4	66.7	26.9	81	A	50.8	7.8	215	20.2	13.43
TV B5305	160	37.8	70	17.48	81.1	A	50.8	6.4	245	22.8	13.55

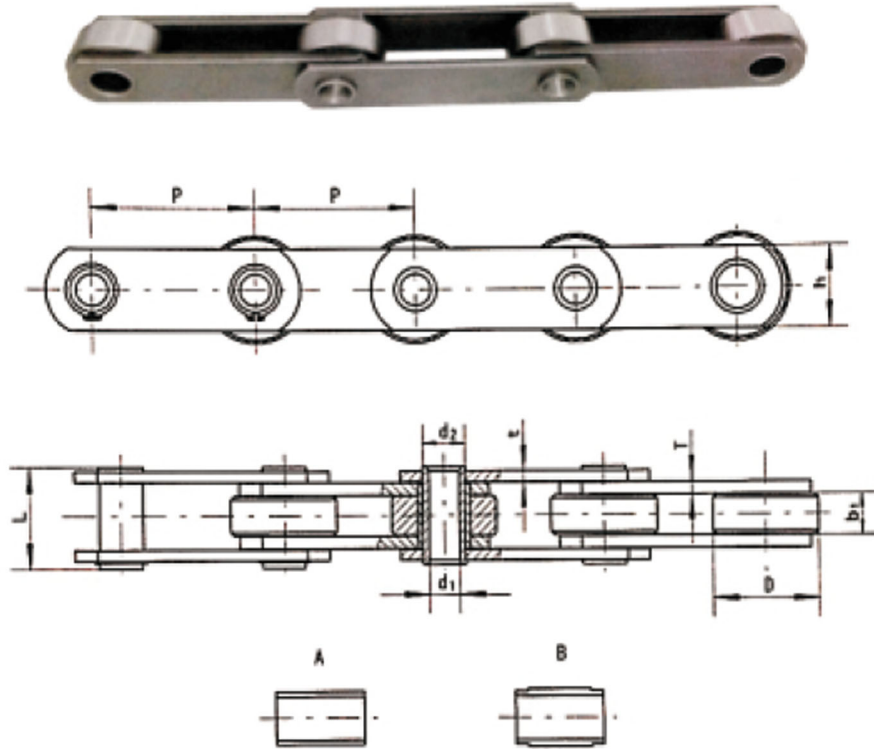
标准棕榈油链 Standard Palm Oil Chain

弯板型棕榈油链 Palm Oil Chains with Bent Plate



链号 Chain No.	节距 Pitch p mm	窄端内宽 Inner width of close end b1 (min) mm	滚子(套筒)外径 Outer diameter of roller (bushing) D (max) mm	销轴 pin			链板 Sidebar		最小抗拉强度 Min. tensile strength Q (min) KN	许用工作载荷 Rated working load KN	每米重量 Weight per meter q kg/m
				d mm	L1 mm	L2 mm	h mm	T mm			
TV B5029	66.17	28	22.23	11.1	31.7	35.1	28.6	6.4	122.8	8.1	5.41
#TV B5094	101.6	39.8	36.5	15.77	43.3	46.1	44.45	8	180	12.1	11.36
TV B5234	152.4	34.9	76.2	22.3	43.6	53.4	50.8	9.5	355.6	24.9	17.93

#链条为套筒链，无滚子
#Chain:bushed chain with no roller

标准棕榈油链
Standard Palm Oil Chain
空心销轴型棕榈油链
Palm Oil Chains with Hollow Pin Type


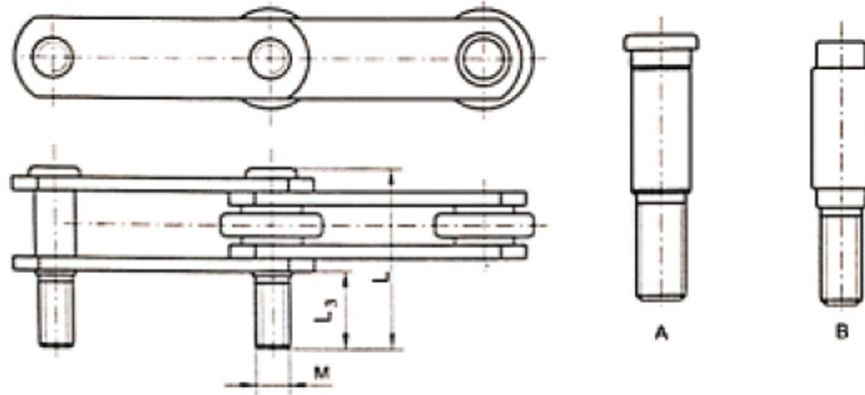
链号 Chain No.	节距 Pitch p mm	内节内宽 Inner width of inner link b1 (min) mm	滚子(套筒)外径 Outer diameter of roller (bushing) D (max) mm	销轴 pin			链板 Sidebar		最小抗拉强度 Min. tensile strength Q (min) KN	许用工作载荷 Rated working load KN	每米重量 Weight per meter q kg/m
				L mm	d1 mm	d2 mm	h mm	U/T mm			
TV 060030HP	76.2	15	31.8	38	10.1	13.97	25.5	3.8	27	-	-
TV 060040HP	101.6	15	31.8	38	10.1	13.97	25.5	3.8	27	-	-
TV 060060HP	152.4	15	31.8	38	10.1	13.97	25.5	3.8	27	-	-
TV 120040HP	101.6	19	47.6	46.2	13.2	19.05	38.1	3.8/5.1	54	-	-
TV 120060HP	152.4	19	47.6	46.2	13.2	19.05	38.1	3.8/5.1	54	-	-
TV 240040HP	101.6	25.4	66.7	63	19.56	26.92	50.8	6.5/7.8	124.5	-	-
TV 240060HP	152.4	25.4	66.7	63	19.56	26.92	50.8	6.5/7.8	124.5	-	-
TV 360060HP	152.4	38.1	88.9	83.3	22.9	31.8	61	7.6/8.9	160	-	-
TV 45000HP	203.2	38.1	88.9	84.2	22.9	30	61	8	280	-	-

特殊棕榈油链

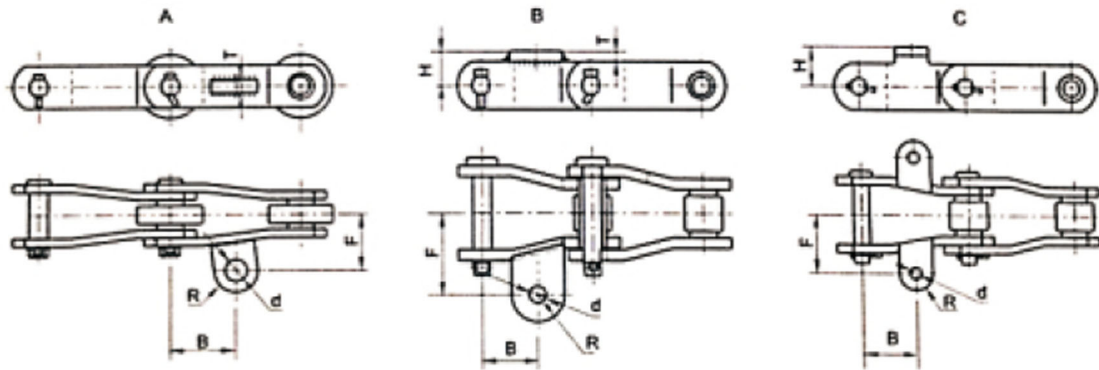
Palm Oil Chain with attachment

棕榈油链附件

Palm Oil Chains-Attachments



链号 Chain No.	L mm	L3 mm	d mm	Type
TV ES4P23	86.8	36	M16	A
TVC B1016H	86.8	36	M16	A
TV B5289	96.8	39.7	M20	A
TV ES6P36	110.5	44	M24	A
TV 6X4500	131.5	50	M27	B

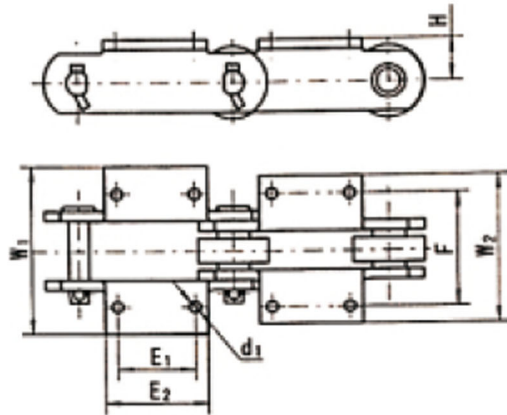


链号 Chain No.	H mm	T mm	B mm	F mm	R mm	D mm	Type
TV B5234	-	15	76.2	66.7	25.4	20.64	A
TV B5029	20.7	6.4	33.08	48.4	15.875	10	B
TV B5094	38.1	8	50.8	111.2	15.9	11.12	C

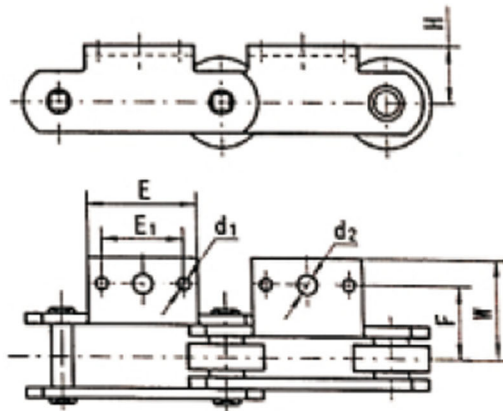
特殊棕榈油链

Palm Oil Chain with attachment

棕榈油链附件
Palm Oil Chains-Attachments



链号 Chain No.	H mm	E1 mm	E2 mm	d1 mm	F mm	W1 mm	W2 mm
TV B5257	38.1	60	101.6	15	120	187.3	170.2



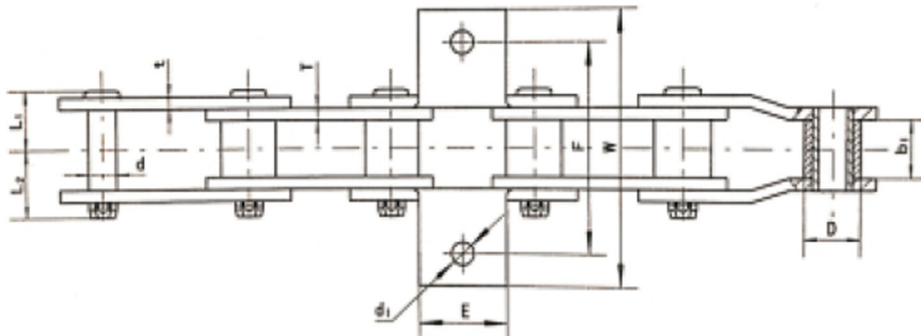
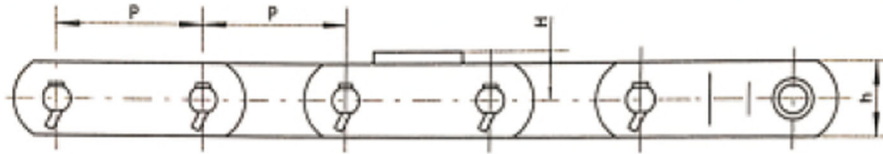
链号 Chain No.	H mm	E1 mm	E mm	d1 mm	d2 mm	F mm	W mm
TV 4x15000	31.75	31.75	67.5	10.71	13.89	44.45	75.8

特殊棕榈油链

Palm Oil Chain with attachment

其它型棕榈油链

Palm Oil Chains with the Other Types



H mm	W mm	F mm	E mm	d1 mm
25.4	142.35	111.25	46.5	11.94

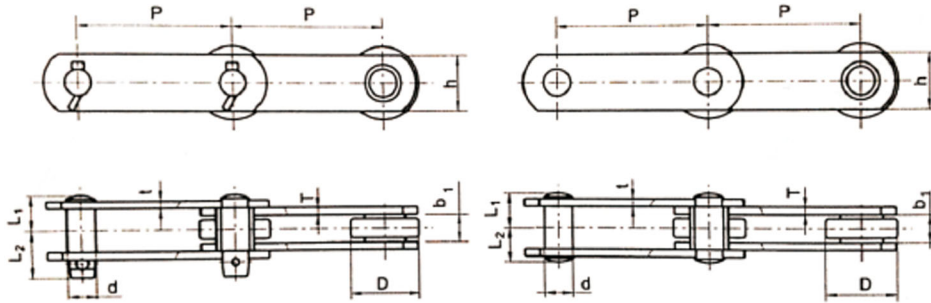
链号 Chain No.	节距 Pitch p mm	内节内宽 Inner width of inner link b1 (min) mm	滚子(套筒)外径 Outer diameter of roller (bushing) D (max) mm	销轴 pin			链板 Sidebar		最小抗拉强度 Min. tensile strength Q (min) KN	许用工作载荷 Rated working load KN	每米重量 Weight per meter q kg/m
				d mm	L1 mm	L2 mm	h mm	t/T mm			
TV B9503	76.71	31	30	14.12	33.8	40.8	38.1	6.4	155	14.7	8.76

特殊棕榈油链

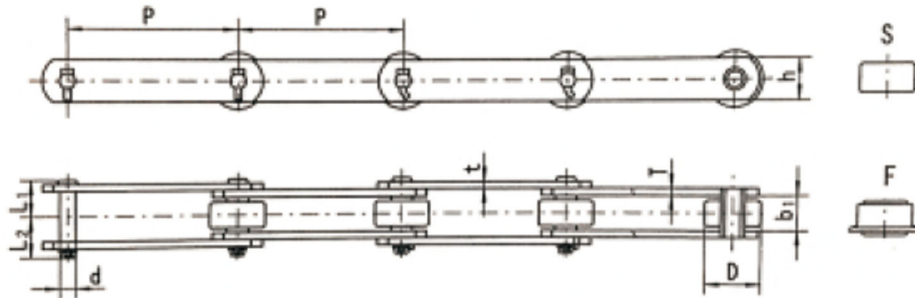
Palm Oil Chain with attachment

其它型棕榈油链

Palm Oil Chains with the Other Types



链号 Chain No.	节距 Pitch p mm	内节内宽 Inner width of inner link b1 (min) mm	滚子(套筒)外径 Outer diameter of roller (bushing) D (max) mm	销轴 pin				链板 Sidebar		最小抗拉强度 Min. tensile strength Q (min) KN	许用工作载荷 Rated working load KN	每米重量 Weight per meter q kg/m
				d1 mm	L1 mm	L2 mm	Type	h mm	t/T mm			
TV KT818EB	101.6	19.05	47.63	19.05	24.2	30.3	A	38.1	5.1	97.8	11.7	7.1
TV KT818EB-R	101.6	19.05	47.63	19.05	24.2	24.2	B	38.1	5.1	97.8	11.7	6.96
TV 4x30000	101.6	25.4	66.7	28	28.8	28.8	B	50.8	5.1/7.1	133	13.2	14.07
TV 6x45000	152.4	38.1	88.9	31.8	43	43	B	61	9	200	19.6	32.43



链号 Chain No.	节距 Pitch p mm	内节内宽 Inner width of inner link b1 (min) mm	滚子外径 Outer diameter of roller D (max) mm	销轴 pin			链板 Sidebar		最小抗拉强度 Min. tensile strength Q (min) KN	许用工作载荷 Rated working load KN	每米重量 Weight per meter q kg/m
				d mm	L1 mm	L2 mm	h mm	t/T mm			
TV RF604R	152.4	30	50.8	14.27	31.9	36.8	38.1	6.4	158	20.5	78.5/8.3



劲普机械

Jinpu Mechanical

Address: Room 417-1, Building 8, No. 5-4 Yunhe Road, Chongxian Street,
Yuhang District, Hangzhou City, Zhejiang Province, China.

Tel: 86-(0)571-88277778

Fax: 86-(0)571-85853285

E-mail: info@jpmach.com

Website: www.jpmach.com