



劲普机械
Jinpu Mechanical



杭州劲普传动机械有限公司

Hangzhou Jinpu Transmission Mechanical Co., Ltd

www.jpmach.com

中国·浙江
ZHEJIANG CHINA



公司简介 COMPANY PROFILE

Jinpu, An Enterprise in Zhejiang China, is established over 10 years, 50~100 staff, and an area coverage of 5,000+ square meters for 2 manufacturing plants. Our business scope covers manufacturing Sprocket, Gear, Timing Belt Pulley, Taper Bush, Industrial Chain, mainly focus on non-standard machining parts base on customers' drawings.



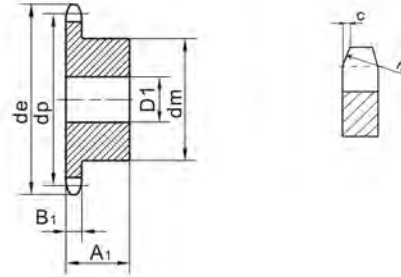
Sprockets & Platewheels

Z	d _b	d _p	Simplex		
			d _m	D1	A
8	15.2	13.06	7	4	10
9	16.8	14.62	8	5	10
10	18.3	16.18	9	5	10
11	19.9	17.75	11	6	10
12	21.5	19.32	12	6	10
13	23.0	20.89	14	6	10
14	24.6	22.47	15	6	10
15	26.2	24.04	16	6	10
16	27.8	25.63	18	8	13
17	29.4	27.20	18	8	13
18	30.9	28.79	18	8	13
19	32.5	30.38	18	8	13
20	34.1	31.96	18	8	13
21	35.7	33.54	20	8	13
22	37.3	35.13	20	8	13
23	38.9	36.72	20	8	13
24	40.5	38.30	20	8	13
25	42.0	39.89	20	8	13
26	43.6	41.48	25	8	15
27	45.2	43.07	25	8	15
28	46.8	44.65	25	8	15
29	48.4	46.25	25	8	15
30	50.0	47.83	25	8	15
31	51.6	49.42	30	8	15
32	53.2	51.01	30	8	15
33	54.8	52.60	30	8	15
34	56.3	54.19	30	8	15
35	57.9	55.78	30	8	15
36	59.5	57.37	30	8	15
37	61.1	58.96	30	8	15
38	62.7	60.54	30	8	15
39	64.3	62.13	30	8	15
40	65.9	63.73	30	8	15

03B

5x2.5mm

For Roller Chains DIN8187 ISO/R 606



SPROCKET mm

Tooth radius r₃ 5
Radius width C 0.6
Tooth width B₁ 2.3

CHAIN mm

Pitch 5
Inner width 2.5
Roller diameter 3.2

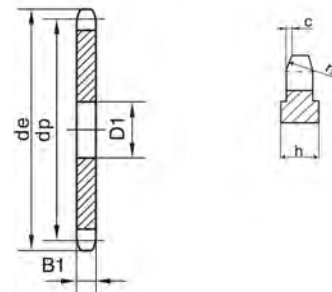
Z	d _b	d _p	Simplex		Simplex		
			D ₁	Z	d _b	d _p	D ₁
8	15.2	13.06	4	44	72.2	70.09	8
9	16.8	14.62	4	45	73.8	71.68	8
10	18.3	16.18	4	46	75.4	73.27	8
11	19.9	17.75	5	47	77.0	74.86	8
12	21.5	19.32	5	48	78.6	76.45	8
13	23.0	20.89	5	49	80.2	78.03	8
14	24.6	22.47	5	50	81.8	79.63	8
15	26.2	24.04	5	51	83.4	81.22	10
16	27.8	25.63	6	52	85.0	82.81	10
17	29.4	27.20	6	53	86.6	84.40	10
18	30.9	28.79	6	54	88.1	85.97	10
19	32.5	30.38	6	55	89.7	87.58	10
20	34.1	31.96	6	56	91.3	89.17	10
21	35.7	33.54	8	57	92.9	90.76	10
22	37.3	35.13	8	58	94.5	92.35	10
23	38.9	36.72	8	59	96.1	93.94	10
24	40.5	38.30	8	60	97.7	95.53	10
25	42.0	39.89	8	62	100.9	98.72	12
26	43.6	41.48	8	64	104.1	101.90	12
27	45.2	43.07	8	65	105.6	103.49	12
28	46.8	44.65	8	66	107.2	105.08	12
29	48.4	46.25	8	68	110.4	108.26	12
30	50.0	47.83	8	70	113.6	111.44	12
31	51.6	49.42	8	72	116.8	114.63	12
32	53.2	51.01	8	75	121.6	119.40	12
33	54.8	52.60	8	76	123.1	120.99	12
34	56.3	54.19	8	78	126.3	124.17	12
35	57.9	55.78	8	80	129.5	127.35	12
36	59.5	57.37	8	85	137.5	135.31	14
37	61.1	58.96	8	90	145.4	143.27	14
38	62.7	60.54	8	95	153.4	151.22	14
39	64.3	62.13	8	100	161.3	159.18	14
40	65.9	63.73	8	110	177.2	175.09	14
41	67.5	65.31	8	114	183.6	181.46	14
42	69.1	66.91	8	120	193.2	191.01	14
43	70.6	68.49	8	125	201.1	198.96	14

03A

5x2.5mm

For Roller Chains DIN8187 ISO/R 606

The plate can be increased from 2.51mm to 4mm



PLATEWHEEL mm

Tooth radius r₃ 5
Radius width C 0.6
Tooth width B₁ 2.3

CHAIN mm

Pitch 5
Inner width 2.5
Roller diameter 3.2

Sprockets & Platewheels

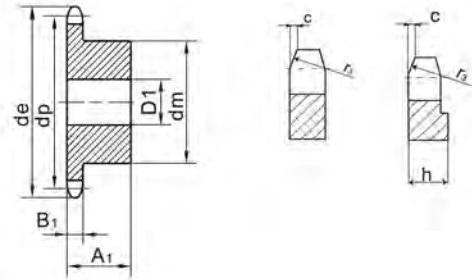
Z	d _e	d _p	Simplex		
			d _m	D ₁	A
8	18.0	15.67	9.8	5	10
9	19.9	17.54	11.5	5	10
10	21.7	19.42	13	6	10
11	23.6	21.30	14	6	10
12	25.4	23.18	16	6	10
13	27.3	25.05	18	8	10
14	29.2	26.96	20	8	10
15	31.0	28.86	20	8	10
16	33.0	30.76	20	8	13
17	35.0	32.65	20	8	13
18	36.9	34.55	20	8	13
19	38.8	36.44	20	8	13
20	40.7	38.34	20	8	13
21	42.6	40.25	25	8	13
22	44.5	42.16	25	8	13
23	46.4	44.06	25	8	13
24	48.3	45.96	25	8	13
25	50.2	47.87	25	8	13
26	52.1	49.76	30	8	15
27	54.0	51.67	30	8	15
28	55.9	53.58	30	8	15
29	57.8	55.50	30	8	15
30	59.8	57.42	30	8	15
31	61.7	59.31	30	8	15
32	63.6	61.21	30	8	15
33	65.5	63.11	30	8	15
34	67.4	65.02	30	8	15
35	69.3	66.93	30	8	15
36	71.2	68.84	30	8	15
37	73.1	70.75	30	8	15
38	75.0	72.66	30	8	15
39	76.9	74.57	30	8	15
40	78.9	76.47	30	8	15
45	88.5	86.01	40	10	16
50	98.0	95.55	50	12	20
57	111.4	108.93	50	12	20
76	147.6	145.19	60	12	20

04B

6x2.8mm

For Roller Chains DIN8187 ISO/R 606

The plate size is increased by h=4mm starting from 2.51 and 2.76



SPROCKET

Tooth radius	r ₃	6.0
Radius width	C	0.7
Tooth width	B ₁	2.6

CHAIN

Pitch	6.0
Inner width	2.8
Roller diameter	4.0

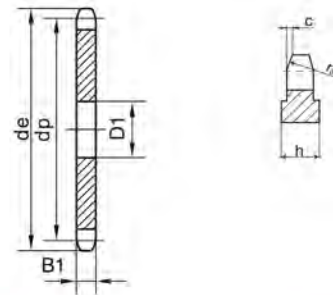
Z	d _e	d _p	Simplex		Z	d _e	d _p	Simplex	
			D ₁	A				D ₁	A
8	18.0	15.67	5	10	44	86.6	84.10	10	16
9	19.9	17.54	5	10	45	88.5	86.01	10	16
10	21.7	19.42	6	10	46	90.4	87.92	10	16
11	23.6	21.30	6	10	47	92.3	89.93	10	16
12	25.4	23.18	6	10	48	94.2	91.74	10	16
13	27.3	25.05	8	10	49	96.1	93.64	10	16
14	29.2	26.96	8	10	50	98.0	95.55	10	16
15	31.0	28.86	8	10	51	99.9	97.46	12	16
16	33.0	30.76	8	10	52	101.8	99.37	12	16
17	35.0	32.65	8	10	53	103.7	101.27	12	16
18	36.9	34.55	8	10	54	105.6	103.17	12	16
19	38.8	36.44	8	10	55	107.6	105.08	12	16
20	40.7	38.34	8	10	56	109.5	107.00	12	16
21	42.6	40.25	8	10	57	111.4	108.93	12	16
22	44.5	42.16	8	10	58	113.3	110.82	12	16
23	46.4	44.06	8	10	59	115.2	112.71	12	16
24	48.3	45.96	8	10	60	117.1	114.62	12	16
25	50.2	47.87	8	10	62	120.9	118.45	14	16
26	52.1	49.76	8	10	64	124.7	122.27	14	16
27	54.0	51.67	8	10	65	126.6	124.18	14	16
28	55.9	53.58	8	10	66	128.5	126.09	14	16
29	57.8	55.50	8	10	68	132.4	129.91	14	16
30	59.8	57.42	8	10	70	136.2	133.73	14	16
31	61.7	59.31	8	10	72	140.0	137.55	16	16
32	63.6	61.21	8	10	75	145.7	143.28	16	16
33	65.5	63.11	8	10	76	147.6	145.19	16	16
34	67.4	65.02	8	10	78	151.5	149.01	16	16
35	69.3	66.93	8	10	80	155.3	152.82	16	16
36	71.2	68.84	8	10	85	164.8	162.37	16	16
37	73.1	70.75	8	10	90	174.4	171.92	16	16
38	75.0	72.66	8	10	95	183.9	181.47	16	16
39	76.9	74.57	8	10	100	193.5	191.01	16	16
40	78.9	76.47	8	10	110	212.6	210.11	16	16
41	80.8	78.38	10	16	114	220.2	217.75	16	16
42	82.7	80.28	10	16	120	231.7	229.20	16	16
43	84.7	82.19	10	16	125	241.2	238.75	16	16

04A

6x2.8mm

For Roller Chains DIN8187 ISO/R 606

The plate can be increased from 2.51mm to 4mm



PLATEWHEEL

Tooth radius	r ₃	6.0
Radius width	C	0.7
Tooth width	B ₁	2.6

CHAIN

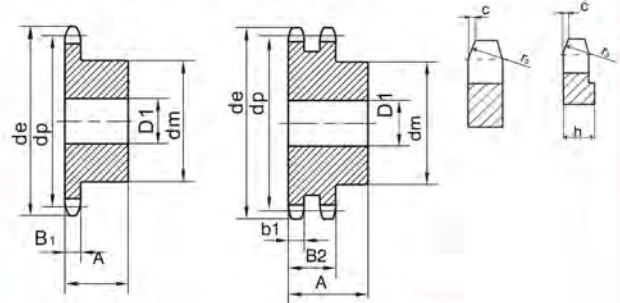
Pitch	6.0
Inner width	2.8
Roller diameter	4.0

Sprockets & Platewheels

Z	d _e	d _p	Simplex			Doublex		
			d _m	D ₁	A	d _m	D ₁	A
8	24.0	20.90	13	6	12	12	8	18
9	26.6	23.39	15	6	12	15	8	18
10	29.2	25.89	17	8	12	17	8	18
11	31.7	28.39	18	8	13	19	10	18
12	34.2	30.91	20	8	13	21	10	18
13	36.7	33.42	23	8	13	24	10	18
14	39.2	35.95	25	8	13	26	10	18
15	41.7	38.48	28	8	13	29	10	18
16	44.3	41.01	30	8	14	32	10	20
17	46.8	43.53	30	8	14	34	10	20
18	49.3	46.07	30	8	14	37	10	20
19	51.9	48.61	30	8	14	39	10	20
20	54.4	51.14	30	8	14	40	10	20
21	57.0	53.68	35	8	14	40	10	20
22	59.5	56.21	35	8	14	40	10	20
23	62.0	58.75	35	8	14	40	10	20
24	64.6	61.29	35	8	14	40	10	20
25	67.5	63.83	35	8	14	40	10	20
28	69.5	66.37	40	10	16	50	12	22
27	72.2	68.91	40	10	16	50	12	22
28	74.8	71.45	40	10	16	50	12	22
29	77.3	73.99	40	10	16	50	12	22
30	79.8	76.53	40	10	16	50	12	22
31	82.4	79.08	40	10	16	60	12	22
32	84.9	81.61	40	10	16	60	12	22
33	87.5	84.16	40	10	16	60	12	22
34	90.0	86.70	40	10	16	60	12	22
35	92.5	89.25	40	10	16	60	12	22
36	95.0	91.79	40	10	16	60	12	22
37	97.6	94.33	40	10	16	60	12	22
38	100.2	96.88	40	10	16	60	12	22
39	102.7	99.42	40	10	16	60	12	22
40	105.3	101.97	40	10	16	60	12	22
45	118.0	114.69	60	12	20			
50	130.7	127.41	60	12	20			
57	148.6	145.22	80	14	20			
76	197.7	193.59	80	20	25			

05B 8x3mm

For Roller Chains DIN8187 ISO/R 606
 The plate can be increased from 2.76mm to 4mm



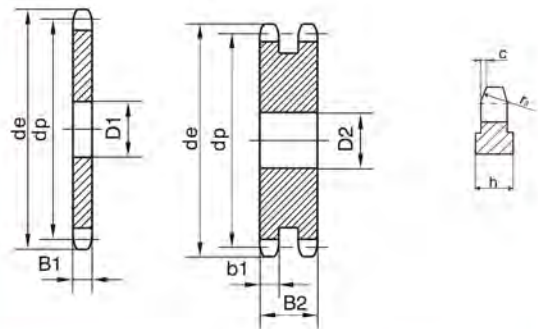
SPROCKET		mm
Tooth radius	r ₃	8.0
Radius width	C	1.0
Tooth width	B ₁	2.8
Tooth width	b ₁	2.7
Tooth width	B ₂	8.3

CHAIN		mm
Pitch		8.0
Inner width		3.0
Roller diameter		5.0

Z	d _e	d _p	Simplex		Z	d _e	d _p	Simplex	
			D ₁	D ₂				D ₁	D ₂
8	24.0	20.90	6	6	44	115.5	112.14	12	14
9	26.6	23.39	6	6	45	118.0	114.69	12	14
10	29.2	25.89	8	8	46	120.6	117.23	12	14
11	31.7	28.39	8	8	47	123.1	119.77	12	14
12	34.2	30.91	8	8	48	125.6	122.32	12	14
13	36.7	33.42	8	8	49	128.2	124.86	12	14
14	39.2	35.95	8	8	50	130.7	127.41	12	14
15	41.7	38.48	8	8	51	133.3	129.95	14	16
16	44.3	41.01	8	10	52	135.8	132.49	14	16
17	46.8	43.53	8	10	53	138.4	135.04	14	16
18	49.3	46.07	8	10	54	140.9	137.59	14	16
19	51.9	48.61	8	10	55	143.5	140.13	14	16
20	54.4	51.14	8	10	56	146.0	142.68	14	16
21	57.0	53.68	8	10	57	148.6	145.22	14	16
22	59.5	56.21	8	10	58	151.0	147.77	14	16
23	62.0	58.75	8	10	59	153.6	150.31	14	16
24	64.6	61.29	8	10	60	156.2	152.85	14	16
25	67.5	63.83	8	10	62	162.0	157.95	16	20
26	69.5	66.37	10	12	64	167.1	163.04	16	20
27	72.2	68.91	10	12	65	169.6	165.58	16	20
28	74.8	71.45	10	12	66	172.2	168.13	16	20
29	77.3	73.99	10	12	68	177.3	173.22	16	20
30	79.8	76.53	10	12	70	182.4	178.31	16	20
31	82.4	79.08	10	12	72	187.5	183.41	20	20
32	84.9	81.61	10	12	75	195.1	191.04	20	20
33	87.5	84.16	10	12	76	197.7	193.59	20	20
34	90.0	86.70	10	12	78	202.8	198.68	20	20
35	92.5	89.25	10	12	80	207.9	203.77	20	20
36	95.0	91.79	10	12	85	220.6	216.50	20	20
37	97.6	94.33	10	12	90	233.4	229.23	20	20
38	100.2	96.88	10	12	95	246.1	241.96	20	20
39	102.7	99.42	10	12	100	258.9	254.68	20	20
40	105.3	101.97	10	12	110	284.3	280.15	20	20
41	107.8	104.51	12	14	114	294.5	290.33	20	20
42	110.4	107.05	12	14	120	310.0	305.61	20	20
43	112.9	109.60	12	14	125	322.5	318.34	20	20

05A 8x3mm

For Roller Chains DIN8187 ISO/R 606
 The plate can be increased from 2.46mm to 4mm



PLATEWHEEL		mm
Tooth radius	r ₃	8.0
Radius width	C	1.0
Tooth width	B ₁	2.8
Tooth width	b ₁	2.7
Tooth width	B ₂	8.3

CHAIN		mm
Pitch		8.0
Inner width		3.0
Roller diameter		5.0

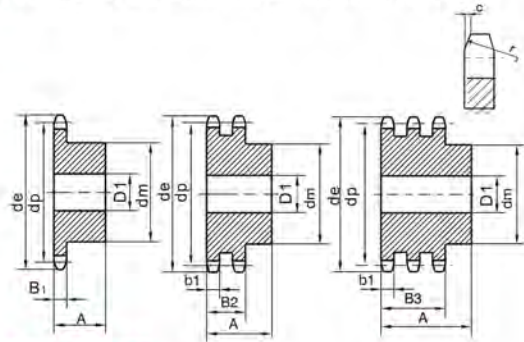
Sprockets & Platewheels

Z	Simplex			Doublex			Triplex				
	d _o	d _p	d _m	D ₁	A	d _m	D ₁	A	d _m	D ₁	A
8	28.0	24.89	15	6	22	15	6	22	15	6	32
9	31.0	27.85	18	8	22	18	8	22	18	8	32
10	34.0	30.82	20	8	22	20	8	22	20	10	32
11	37.0	33.80	22	8	25	22	10	25	22	10	35
12	40.0	36.80	25	8	25	25	10	25	25	10	35
13	43.0	39.79	28	10	25	28	10	25	28	10	35
14	46.3	42.80	31	10	25	31	10	25	31	12	35
15	49.3	45.81	34	10	25	34	10	25	34	12	35
16	52.3	48.82	37	10	28	37	12	30	37	12	35
17	55.3	51.83	40	10	28	40	12	30	40	12	35
18	58.3	54.85	43	10	28	43	12	30	43	12	35
19	61.3	57.87	45	10	28	46	12	30	46	12	35
20	64.3	60.89	46	10	28	49	12	30	49	12	35
21	68.0	63.91	48	12	28	52	12	30	52	14	40
22	71.0	66.93	50	12	28	55	12	30	55	14	40
23	73.5	69.95	52	12	28	58	12	30	58	14	40
24	77.0	72.97	54	12	28	61	12	30	61	14	40
25	80.0	76.00	57	12	28	64	12	30	64	14	40
26	83.0	79.02	60	12	28	67	12	30	67	14	40
27	86.0	82.05	60	12	28	70	12	30	70	14	40
28	89.0	85.07	60	12	28	73	12	30	73	14	40
29	92.0	88.09	60	12	28	76	12	30	76	14	40
30	94.7	91.12	60	12	30	79	12	30	79	14	40
31	98.3	94.15	65	14	30	80	16	30	80	16	40
32	101.3	97.17	65	14	30	80	16	30	80	16	40
33	104.3	100.20	65	14	30	80	16	30	80	16	40
34	107.3	103.23	65	14	30	80	16	30	85	16	40
35	110.4	106.26	65	14	30	80	16	30	85	16	40
36	113.4	109.29	70	16	30	90	16	30	90	16	40
37	116.4	112.32	70	16	30	90	16	30	90	16	40
38	119.5	115.35	70	16	30	90	16	30	90	16	40
39	122.5	118.37	70	16	30	90	16	30	90	16	40
40	125.5	121.40	70	16	30	90	16	30	90	16	40

06B

3/8" x 7/32"

For Roller Chains DIN8187 ISO/R 606



SPROCKET

mm

Tooth radius	r ₃	10
Radius width	C	1.0
Tooth width	B ₁	5.3
Tooth width	b ₁	5.2
Tooth width	B ₂	15.4
Tooth width	B ₃	25.6

CHAIN

mm

Pitch	9.525
Inner width	5.72
Roller diameter	6.35

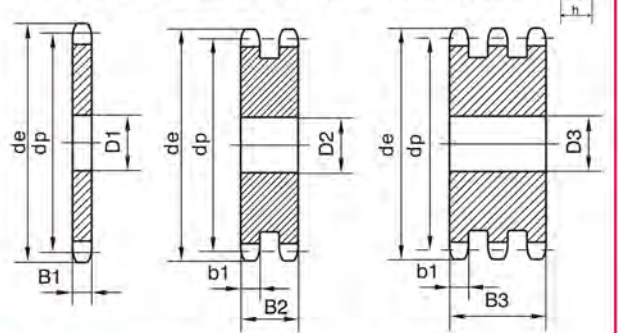
Z	S _p			D _p			T _p				
	d _o	d _p	D ₁	D ₂	D ₃	Z	d _o	d _p	D ₁	D ₂	D ₃
8	28.0	24.89	6	6	6	44	137.6	133.52	16	16	16
9	31.0	27.85	7	8	8	45	140.7	136.55	16	16	16
10	34.0	30.82	7	8	10	46	143.7	139.58	16	16	16
11	37.0	33.80	8	10	10	47	146.7	142.61	16	16	16
12	40.0	36.80	8	10	10	48	149.7	145.64	16	16	16
13	43.0	39.79	8	10	10	49	152.7	148.66	16	16	16
14	46.3	42.80	8	10	12	50	155.7	151.69	16	16	16
15	49.3	45.81	8	10	12	51	158.7	154.72	16	16	20
16	52.3	48.82	10	12	12	52	161.8	157.75	16	16	20
17	55.3	51.83	10	12	12	53	164.8	160.78	16	16	20
18	58.3	54.85	10	12	12	54	167.8	163.82	16	16	20
19	61.3	57.87	10	12	12	55	170.8	166.85	16	16	20
20	64.3	60.89	10	12	12	56	173.8	169.88	16	16	20
21	68.0	63.91	10	12	14	57	176.9	172.91	16	16	20
22	71.0	66.93	10	12	14	58	179.9	175.93	16	16	20
23	73.5	69.95	10	12	14	59	183.0	178.96	16	16	20
24	77.0	72.97	10	12	14	60	186.0	181.99	16	16	20
25	80.0	76.00	10	12	14	62	192.1	188.06	20	20	20
26	83.0	79.02	10	12	14	64	198.2	194.12	20	20	20
27	86.0	82.02	10	12	14	65	201.6	197.15	20	20	20
28	89.0	85.07	10	12	14	66	204.6	200.18	20	20	25
29	92.0	88.09	10	12	14	68	210.7	206.24	20	20	25
30	94.7	91.12	10	12	14	70	216.7	212.3	20	20	25
31	98.3	94.15	12	14	16	72	222.8	218.37	20	20	25
32	101.3	97.17	12	14	16	75	231.9	227.46	20	20	25
33	104.3	100.20	12	14	16	76	234.9	230.49	20	20	25
34	107.3	103.23	12	14	16	78	241.0	236.55	20	20	25
35	110.4	106.26	12	14	16	80	247.1	242.61	20	20	25
36	113.4	109.29	12	14	16	85	262.2	257.77	20	20	25
37	116.4	112.32	12	14	16	90	277.4	272.93	20	20	25
38	119.5	115.35	12	14	16	95	292.5	288.08	20	20	25
39	122.5	118.37	12	14	16	100	307.7	303.25	20	20	25
40	125.5	121.40	12	14	16	110	338.0	333.55	20	20	25
41	128.5	124.43	16	16	16	114	349.5	345.68	20	20	25
42	131.6	127.46	16	16	16	120	368.3	363.86	20	20	25
43	134.6	130.49	16	16	16	125	383.5	379.02	20	20	25

06A

3/8" x 7/32"

For Roller Chains DIN8187 ISO/R 606

The plate can be increased from 2.10mm to 7mm



PLATEWHEEL

mm

Tooth radius	r ₃	10
Radius width	C	1.0
Tooth width	B ₁	5.3
Tooth width	b ₁	5.2
Tooth width	B ₂	15.4
Tooth width	B ₃	25.6

CHAIN

mm

Pitch	9.525
Inner width	5.72
Roller diameter	6.35

Sprockets & Platewheels

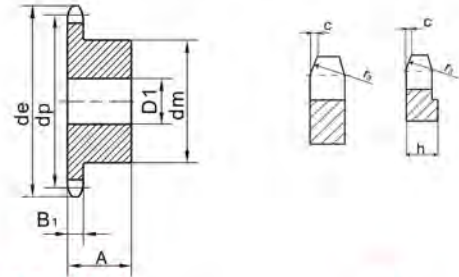
		Simplex					
Z	d _e	d _p	d _m	D ₁	A		
8	37.2	33.18	21	8	14		
9	41.5	37.13	25	8	14		
10	46.2	41.10	28	8	14		
11	49.6	45.07	31	8	16		
12	53.9	49.07	35	8	16		
13	58.4	53.06	39	8	16		
14	62.8	57.07	43	8	16		
15	66.8	61.09	47	8	16		
16	70.9	65.10	50	10	18		
17	74.9	69.11	50	10	18		
18	78.9	73.14	50	10	18		
19	82.9	77.16	50	10	18		
20	86.9	81.19	50	10	18		
21	91.0	85.22	60	12	20		
22	95.0	89.24	60	12	20		
23	99.0	93.27	60	12	20		
24	103.0	97.29	60	12	20		
25	107.1	101.33	60	12	20		
26	111.2	105.36	70	16	20		
27	115.4	109.40	70	16	20		
28	119.4	113.42	70	16	20		
29	123.4	117.46	70	16	20		
30	127.5	121.50	70	16	20		
31	131.5	125.54	70	16	20		
32	135.5	129.56	70	16	20		
33	139.6	133.60	70	16	20		
34	143.6	137.64	70	16	20		
35	147.6	141.68	70	16	20		
36	151.7	145.72	70	16	25		
37	155.7	149.76	70	16	25		
38	159.8	153.80	70	16	25		
39	163.8	157.83	70	16	25		
40	167.8	161.87	70	16	25		

081

1/2" x 1/8"

For Roller Chains DIN8187 ISO/R 606

The plate can be increased from 2.31mm to 5mm



SPROCKET	mm
Tooth radius r ₃	13
Radius width C	1.0
Tooth width B ₁	3.0

CHAIN	mm
Pitch	12.7
Inner width	3.3
Roller diameter	7.75

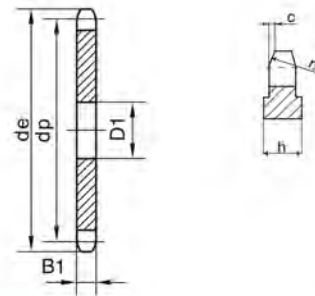
		Simplex				Simplex	
Z	d _e	d _p	D ₁	Z	d _e	d _p	D ₁
8	37.2	33.18	8	43	179.5	173.99	16
9	41.5	37.13	8	44	183.5	178.03	16
10	46.2	41.10	8	45	187.5	182.07	16
11	49.6	45.07	8	46	191.6	186.10	20
12	53.9	49.07	8	47	195.6	190.14	20
13	58.4	53.06	8	48	199.7	194.18	20
14	62.8	57.07	8	49	203.7	198.22	20
15	66.8	61.09	8	50	207.8	202.26	20
16	70.9	65.10	10	51	211.8	206.30	20
17	74.9	69.11	10	52	215.9	210.34	20
18	78.9	73.14	10	53	219.9	214.37	20
19	82.9	77.16	10	54	224.0	218.43	20
20	86.9	81.19	10	55	228.0	222.46	20
21	91.0	85.22	10	56	232.1	226.50	20
22	95.0	89.24	10	57	236.1	230.54	20
23	99.0	93.27	10	58	240.2	234.58	20
24	103.0	97.29	10	59	244.2	238.62	20
25	107.1	101.33	10	60	248.2	242.66	20
26	111.2	105.36	12	62	256.7	250.75	20
27	115.4	109.40	12	64	264.8	258.82	20
28	119.4	113.42	12	65	268.8	262.86	20
29	123.4	117.46	12	66	272.9	268.90	25
30	127.5	121.50	12	68	280.9	274.99	25
31	131.5	125.54	12	70	289.0	283.07	25
32	135.5	129.56	12	72	297.1	291.16	25
33	139.6	133.60	12	76	313.3	307.33	25
34	143.6	137.64	12	78	321.4	315.40	25
35	147.6	141.68	12	80	329.4	323.48	25
36	151.7	145.72	16	85	349.7	343.70	25
37	155.7	149.76	16	90	369.9	363.90	25
38	159.8	153.80	16	95	390.1	384.10	25
39	163.8	157.83	16	100	410.3	404.31	25
40	167.8	161.87	16	110	450.7	444.74	25
41	171.4	165.91	16	114	466.9	460.90	25
42	175.4	169.95	16	120	491.2	485.16	25

081

1/2" x 1/8"

For Roller Chains DIN8187 ISO/R 606

The plate can be increased from 2.30mm to 4mm



PLATEWHEEL	mm
Tooth radius r ₃	13
Radius width C	1.0
Tooth width B ₁	3.0

CHAIN	mm
Pitch	12.7
Inner width	3.3
Roller diameter	7.75

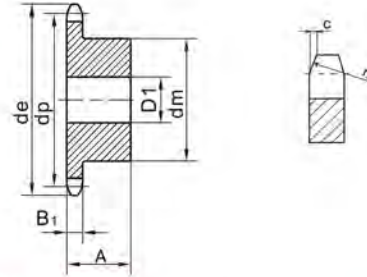
Sprockets & Platewheels

Z	d _a	d _p	Simplex		
			d _m	D ₁	A
8	38.5	33.18	21	8	14
9	41.5	37.13	25	8	14
10	46.2	41.10	28	8	14
11	49.6	45.07	31	8	16
12	53.9	49.07	35	8	16
13	58.4	53.06	39	8	16
14	62.8	57.07	43	8	16
15	66.8	61.09	47	8	16
16	70.9	65.10	50	10	18
17	74.9	69.11	50	10	18
18	78.9	73.14	50	10	18
19	82.9	77.16	50	10	18
20	88.9	81.19	50	10	18
21	91.0	85.22	60	12	20
22	95.0	89.24	60	12	20
23	99.0	93.27	60	12	20
24	103.0	97.29	60	12	20
25	107.1	101.33	60	12	20
26	111.2	105.36	70	16	20
27	115.4	109.40	70	16	20
28	119.4	113.42	70	16	20
29	123.4	117.46	70	16	20
30	127.5	121.50	70	16	20
31	131.5	125.54	70	16	20
32	135.5	129.56	70	16	20
33	139.6	133.60	70	16	20
34	143.6	137.64	70	16	20
35	147.6	141.68	70	16	20
36	151.7	145.72	70	16	25
37	155.7	149.76	70	16	25
38	159.8	153.80	70	16	25
39	163.8	157.83	70	16	25
40	167.8	161.87	70	16	25

083/084

1/2" x 3/16"

For Roller Chains DIN8187 ISO/R 606



SPROCKET

Tooth radius	r ₃	13
Radius width	C	1.3
Tooth width	B ₁	4.5

CHAIN

Pitch	12.7
Inner width	4.88
Roller diameter	7.75

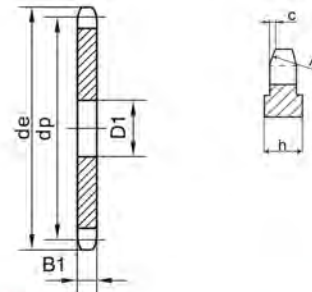
Z	d _a	d _p	Simplex		Z	d _a	d _p	Simplex	
			D ₁					D ₁	
8	38.5	33.18	8		43	179.5	173.99	16	
9	41.5	37.13	8		44	183.5	178.03	16	
10	46.2	41.10	8		45	187.5	182.07	16	
11	49.6	45.07	8		46	191.6	186.10	20	
12	53.9	49.07	8		47	195.6	190.14	20	
13	58.4	53.06	8		48	199.7	194.18	20	
14	62.8	57.07	8		49	203.7	198.22	20	
15	66.8	61.09	8		50	207.8	202.26	20	
16	70.9	65.10	10		51	211.8	206.30	20	
17	74.9	69.11	10		52	215.9	210.34	20	
18	78.9	73.14	10		53	219.9	214.37	20	
19	82.9	77.16	10		54	224.0	218.43	20	
20	86.9	81.19	10		55	228.0	222.46	20	
21	91.0	85.22	10		56	232.1	226.50	20	
22	95.0	89.24	10		57	236.1	230.54	20	
23	99.0	93.27	10		58	240.2	234.58	20	
24	103.0	97.29	10		59	244.2	238.62	20	
25	107.1	101.33	10		60	248.2	242.66	20	
26	111.2	105.36	12		62	256.7	250.75	20	
27	115.4	109.40	12		64	264.8	258.82	20	
28	119.4	113.42	12		65	268.8	262.86	20	
29	123.4	117.46	12		66	272.9	266.90	25	
30	127.5	121.50	12		68	280.9	274.99	25	
31	131.5	125.54	12		70	289.0	283.07	25	
32	135.5	129.56	12		72	297.1	291.16	25	
33	139.6	133.60	12		76	313.3	307.33	25	
34	143.6	137.64	12		78	321.4	315.40	25	
35	147.6	141.68	12		80	329.4	323.48	25	
36	151.7	145.72	16		85	349.7	343.70	25	
37	155.7	149.76	16		90	369.9	363.90	25	
38	159.8	153.80	16		95	390.1	384.10	25	
39	163.8	157.83	16		100	410.3	404.31	25	
40	167.8	161.87	16		110	450.7	444.74	25	
41	171.4	165.91	16		114	466.9	460.90	25	
42	175.4	169.95	16		120	491.2	485.16	25	

083/084

1/2" x 3/16"

For Roller Chains DIN8187 ISO/R 606

The plate can be increased from 2.90mm to 6mm



PLATEWHEEL

Tooth radius	r ₃	13
Radius width	C	1.3
Tooth width	B ₁	4.5

CHAIN

Pitch	12.7
Inner width	4.88
Roller diameter	7.75

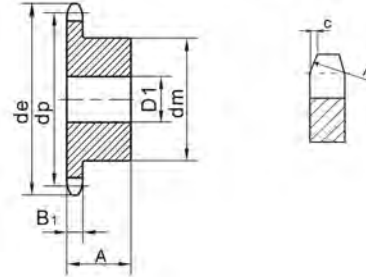
Sprockets & Platewheels

Z	d _a	d _p	Simplex		
			d _m	D ₁	A
8	38.5	33.18	20	10	25
9	41.5	37.13	24	10	25
10	46.2	41.10	26	10	25
11	49.6	45.07	29	10	25
12	53.9	49.07	33	10	28
13	58.4	53.06	37	10	28
14	62.8	57.07	41	10	28
15	66.8	61.09	45	10	28
16	70.9	65.10	50	12	28
17	74.9	69.11	52	12	28
18	78.9	73.14	56	12	28
19	82.9	77.16	60	12	28
20	86.9	81.19	64	12	28
21	91.0	85.22	68	14	28
22	95.0	89.24	70	14	28
23	99.0	93.27	70	14	28
24	103.0	97.29	70	14	28
25	107.1	101.33	70	14	28
26	111.2	105.36	70	16	30
27	115.4	109.40	70	16	30
28	119.4	113.42	70	16	30
29	123.4	117.46	80	16	30
30	127.5	121.50	80	16	30
31	131.5	125.54	90	16	30
32	135.5	129.56	90	16	30
33	139.6	133.60	90	16	30
34	143.6	137.64	90	16	30
35	147.6	141.68	90	16	30
36	151.7	145.72	90	16	35
37	155.7	149.76	90	16	35
38	159.8	153.80	90	16	35
39	163.8	157.83	90	16	35
40	167.8	161.87	90	16	35

085

1/2" X 1/4" - 7.75 Roller size

For Roller Chains DIN8187 ISO/R 606



SPROCKET		mm
Tooth radius	r ₃	13
Radius width	C	1.3
Tooth width	B ₁	5.9

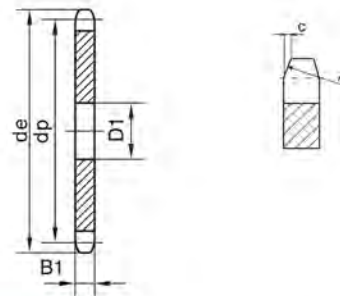
CHAIN		mm
Pitch		12.7
Inner width		6.4
Roller diameter		7.75

Z	d _a	d _p	Simplex		Z	d _a	d _p	Simplex	
			D ₁					D ₁	
8	38.5	33.18	8		43	179.5	173.99	16	
9	41.5	37.13	8		44	183.5	178.03	16	
10	46.2	41.10	8		45	187.5	182.07	16	
11	49.6	45.07	8		46	191.6	186.10	20	
12	53.9	49.07	8		47	195.6	190.14	20	
13	58.4	53.06	8		48	199.7	194.18	20	
14	62.8	57.07	8		49	203.7	198.22	20	
15	66.8	61.09	8		50	207.8	202.26	20	
16	70.9	65.10	10		51	211.8	206.30	20	
17	74.9	69.11	10		52	215.9	210.34	20	
18	78.9	73.14	10		53	219.9	214.37	20	
19	82.9	77.16	10		54	224.0	218.43	20	
20	86.9	81.19	10		55	228.0	222.46	20	
21	91.0	85.22	10		56	232.1	226.50	20	
22	95.0	89.24	10		57	236.1	230.54	20	
23	99.0	93.27	10		58	240.2	234.58	20	
24	103.0	97.29	10		59	244.2	238.62	20	
25	107.1	101.33	10		60	248.2	242.66	20	
26	111.2	105.36	12		62	256.7	250.75	20	
27	115.4	109.40	12		64	264.8	258.82	20	
28	119.4	113.42	12		65	268.8	262.86	20	
29	123.4	117.46	12		66	272.9	266.90	25	
30	127.5	121.50	12		68	280.9	274.99	25	
31	131.5	125.54	12		70	289.0	283.07	25	
32	135.5	129.56	12		72	297.1	291.16	25	
33	139.6	133.60	12		76	313.3	307.33	25	
34	143.6	137.64	12		78	321.4	315.40	25	
35	147.6	141.68	12		80	329.4	323.48	25	
36	151.7	145.72	16		85	349.7	343.70	25	
37	155.7	149.76	16		90	369.9	363.90	25	
38	159.8	153.80	16		95	390.1	384.10	25	
39	163.8	157.83	16		100	410.3	404.31	25	
40	167.8	161.87	16		110	450.7	444.74	25	
41	171.4	165.91	16		114	466.9	460.90	25	
42	175.4	169.95	16		120	491.2	485.16	25	

085

1/2" X 1/4" - 7.75 Roller size

For Roller Chains DIN8187 ISO/R 606



PLATEWHEEL		mm
Tooth radius	r ₃	13
Radius width	C	1.3
Tooth width	B ₁	5.9

CHAIN		mm
Pitch		12.7
Inner width		6.4
Roller diameter		7.75

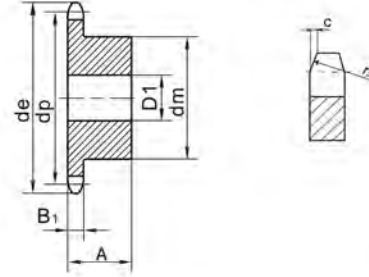
Sprockets & Platewheels

Z	d _e	d _p	Simplex		
			d _m	D ₁	A
8	37.2	33.18	20	10	25
9	41.0	37.13	24	10	25
10	45.2	41.10	26	10	25
11	48.7	45.07	29	10	25
12	53.0	49.07	33	10	28
13	57.4	53.06	37	10	28
14	61.8	57.07	41	10	28
15	65.5	61.09	45	10	28
16	69.5	65.10	50	12	28
17	73.6	69.11	52	12	28
18	77.8	73.14	56	12	28
19	81.7	77.16	60	12	28
20	85.8	81.19	64	12	28
21	89.7	85.22	68	14	28
22	93.8	89.24	70	14	28
23	98.2	93.27	70	14	28
24	101.8	97.29	70	14	28
25	105.8	101.33	70	14	28
26	110.0	105.36	70	16	30
27	114.0	109.40	70	16	30
28	118.0	113.42	70	16	30
29	122.0	117.46	80	16	30
30	126.1	121.50	80	16	30
31	130.2	125.54	90	16	30
32	134.3	129.56	90	16	30
33	138.4	133.60	90	16	30
34	142.6	137.64	90	16	30
35	146.7	141.68	90	16	30
36	151.0	145.72	90	16	35
37	154.6	149.76	90	16	35
38	158.6	153.80	90	16	35
39	162.7	157.83	90	16	35
40	166.8	161.87	90	16	35

085

1/2" X 1/4" - 8.51 Roller size

For Roller Chains DIN8187 ISO/R 606



SPROCKET		mm
Tooth radius	r ₃	13
Radius width	C	1.3
Tooth width	B ₁	5.9

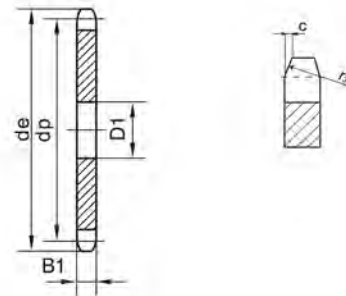
CHAIN		mm
Pitch		12.7
Inner width		6.4
Roller diameter		8.51

Z	d _e	d _p	Simplex		Z	d _e	d _p	D ₁
			D ₁	D ₁				
8	37.2	33.18	8	43	179.7	173.99	16	
9	41.0	37.13	8	44	183.8	178.03	16	
10	45.2	41.10	8	45	188.0	182.07	16	
11	48.7	45.07	8	46	192.1	186.10	20	
12	53.0	49.07	8	47	196.2	190.14	20	
13	57.4	53.06	8	48	200.3	194.18	20	
14	61.8	57.07	8	49	204.3	198.22	20	
15	65.5	61.09	8	50	208.3	202.26	20	
16	69.5	65.10	10	51	212.1	206.30	20	
17	73.6	69.11	10	52	216.1	210.34	20	
18	77.8	73.14	10	53	220.2	214.37	20	
19	81.7	77.16	10	54	224.1	218.43	20	
20	85.8	81.19	10	55	228.1	222.46	20	
21	89.7	85.22	10	56	232.2	226.50	20	
22	93.8	89.24	10	57	236.4	230.54	20	
23	98.2	93.27	10	58	240.5	234.58	20	
24	101.8	97.29	10	59	244.5	238.62	20	
25	105.8	101.33	10	60	248.6	242.66	20	
26	110.0	105.36	12	62	256.9	250.75	20	
27	114.0	109.40	12	64	265.1	258.82	20	
28	118.0	113.42	12	65	269.0	262.86	20	
29	122.0	117.46	12	66	273.0	266.90	25	
30	126.1	121.50	12	68	281.0	274.99	25	
31	130.2	125.54	12	70	289.0	283.07	25	
32	134.3	129.56	12	72	297.2	291.16	25	
33	138.4	133.60	12	76	313.3	307.33	25	
34	142.6	137.64	12	78	321.4	315.40	25	
35	146.7	141.68	12	80	329.4	323.48	25	
36	151.0	145.72	16	85	349.0	343.70	25	
37	154.6	149.76	16	90	369.9	363.90	25	
38	158.6	153.80	16	95	390.1	384.10	25	
39	162.7	157.83	16	100	410.3	404.31	25	
40	166.8	161.87	16	110	450.7	444.74	25	
41	171.4	165.91	16	114	466.9	460.90	25	
42	175.4	169.95	16	120	491.2	485.16	25	

085

1/2" X 1/4" - 8.51 Roller size

For Roller Chains DIN8187 ISO/R 606



PLATEWHEEL		mm
Tooth radius	r ₃	13
Radius width	C	1.3
Tooth width	B ₁	5.9

CHAIN		mm
Pitch		12.7
Inner width		6.4
Roller diameter		8.51

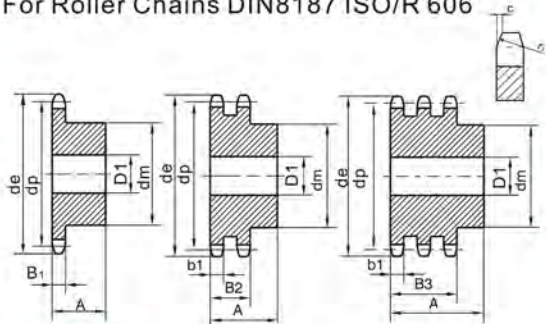
Sprockets & Platewheels

Z	Simplex			Doublex			Triplex				
	d _e	d _p	A	d _m	D ₁	A	d _m	D ₁	A		
8	37.2	33.18	20	10	25	20	10	32	20	10	46
9	41.0	37.13	24	10	25	24	10	32	24	10	46
10	45.2	41.10	26	10	25	28	10	32	28	10	46
11	48.7	45.07	29	10	25	32	12	35	32	14	50
12	53.0	49.07	33	10	28	35	12	35	35	14	50
13	57.4	53.06	37	10	28	38	12	35	38	14	50
14	61.8	57.07	41	10	28	42	12	35	42	14	50
15	65.5	61.09	45	10	28	46	12	35	46	14	50
16	69.5	65.10	50	12	28	50	14	35	50	16	50
17	73.6	69.11	52	12	28	54	14	35	54	16	50
18	77.8	73.14	56	12	28	58	14	35	58	16	50
19	81.7	77.16	60	12	28	62	14	35	62	16	50
20	85.8	81.19	64	12	28	66	14	35	66	16	50
21	89.7	85.22	68	12	28	70	16	40	70	20	55
22	93.8	89.24	70	12	28	70	16	40	70	20	55
23	98.2	93.27	70	14	28	70	16	40	70	20	55
24	101.8	97.29	70	14	28	75	16	40	75	20	55
25	105.8	101.33	70	14	28	80	16	40	80	20	55
26	110.0	105.36	70	16	30	85	20	40	85	20	55
27	114.0	109.40	70	16	30	85	20	40	85	20	55
28	118.0	113.42	70	16	30	90	20	40	90	20	55
29	122.0	117.46	80	16	30	95	20	40	95	20	55
30	126.1	121.50	80	16	30	100	20	40	100	20	55
31	130.2	125.54	90	16	30	100	20	40	110	20	55
32	134.3	129.56	90	16	30	100	20	40	110	20	55
33	138.4	133.60	90	16	30	100	20	40	110	20	55
34	142.6	137.64	90	16	30	100	20	40	110	20	55
35	146.7	141.68	90	16	30	100	20	40	110	20	55
36	151.0	145.72	90	16	35	110	20	40	120	25	55
37	154.6	149.76	90	16	35	110	20	40	120	25	55
38	158.6	153.80	90	16	35	110	20	40	120	25	55
39	162.7	157.83	90	16	35	110	20	40	120	25	55
40	166.8	161.87	90	16	35	110	20	40	120	25	55

08B

1/2" x 5/16"

For Roller Chains DIN8187 ISO/R 606



SPROCKET

Tooth radius	r ₃	13
Radius width	C	1.3
Tooth width	B ₁	7.2
Tooth width	b ₁	7.0
Tooth width	B ₂	21
Tooth width	B ₃	34.9

CHAIN

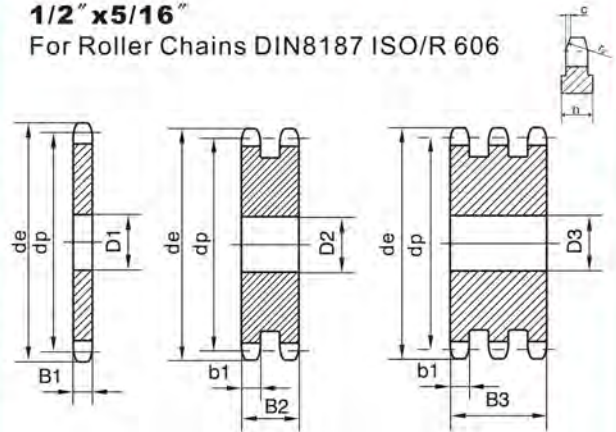
Pitch	12.7
Inner width	7.75
Roller diameter	8.51

Z	Simplex			Z	Simplex						
	d _e	d _p	A		d _e	d _p	A				
8	37.2	33.18	8	10	10	44	183.8	178.03	20	20	25
9	41.0	37.13	8	10	12	45	188.0	182.07	20	20	25
10	45.2	41.10	8	10	12	46	192.1	186.10	20	20	25
11	48.7	45.07	10	12	14	47	198.2	190.14	20	20	25
12	53.0	49.07	10	12	14	48	200.3	194.18	20	20	25
13	57.4	53.06	10	12	14	49	204.3	198.22	20	20	25
14	61.8	57.07	10	12	14	50	208.3	202.26	20	20	25
15	65.5	61.09	10	12	14	51	212.1	206.30	20	25	25
16	69.5	65.10	10	14	16	52	216.1	210.34	20	25	25
17	73.6	69.11	10	14	16	53	220.2	214.37	20	25	25
18	77.8	73.14	10	14	16	54	224.1	218.43	20	25	25
19	81.7	77.16	10	14	16	55	228.1	222.46	20	25	25
20	85.8	81.19	10	14	16	56	232.2	226.50	20	25	25
21	89.7	85.22	12	16	20	57	236.4	230.54	20	25	25
22	93.8	89.24	12	16	20	58	240.5	234.58	20	25	25
23	98.2	93.27	12	16	20	59	244.5	238.62	20	25	25
24	101.8	97.29	12	16	20	60	248.6	242.66	20	25	25
25	105.8	101.33	12	16	20	62	256.9	250.75	25	25	25
26	110.0	105.36	16	16	20	64	265.1	258.82	25	25	25
27	114.0	109.40	16	16	20	65	269.0	262.86	25	25	25
28	118.0	113.42	16	16	20	66	273.0	266.90	25	25	25
29	122.0	117.46	16	16	20	68	281.0	274.99	25	25	25
30	126.1	121.50	16	16	20	70	289.0	283.07	25	25	25
31	130.2	125.54	16	16	20	72	297.2	291.16	25	25	25
32	134.3	129.56	16	16	20	75	309.2	303.27	25	25	25
33	138.4	133.60	16	16	20	76	313.3	307.33	25	25	25
34	142.6	137.64	16	16	20	78	321.4	315.40	25	25	25
35	146.7	141.68	16	16	20	80	329.4	323.48	25	25	25
36	151.0	145.72	16	20	25	85	349.0	343.70	25	25	25
37	154.6	149.76	16	20	25	90	369.9	363.90	25	25	25
38	158.6	153.80	16	20	25	95	390.1	384.11	25	25	25
39	162.7	157.83	16	20	25	100	410.3	404.32	25	25	25
40	166.8	161.87	16	20	25	110	450.7	444.74	25	25	25
41	171.4	165.91	20	20	25	114	466.9	460.90	25	25	25
42	175.4	169.95	20	20	25	120	491.2	485.16	25	25	25
43	179.7	173.99	20	20	25	125	511.3	505.37	25	25	25

08A

1/2" x 5/16"

For Roller Chains DIN8187 ISO/R 606



PLATEWHEEL

Tooth radius	r ₃	13
Radius width	C	1.3
Tooth width	B ₁	7.2
Tooth width	b ₁	7.0
Tooth width	B ₂	21
Tooth width	B ₃	34.9

CHAIN

Pitch	12.7
Inner width	7.75
Roller diameter	8.51

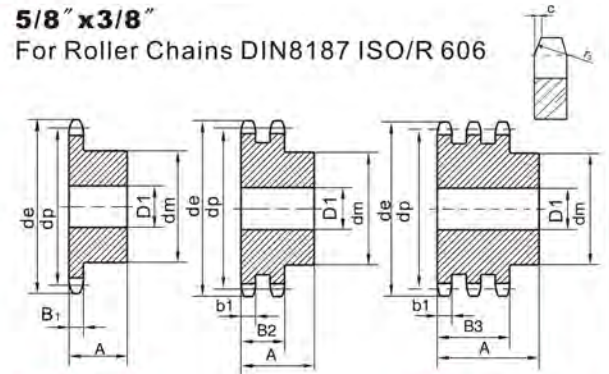
Sprockets & Platewheels

Z	Simplex			Doublex			Triplex				
	d _e	d _p	A	d _m	D ₁	A	d _m	D ₁	A		
8	47.0	41.48	25	10	25	25	12	40	25	12	55
9	52.6	46.42	30	10	25	30	12	40	30	12	55
10	57.5	51.37	35	10	25	35	12	40	35	16	55
11	63.0	56.34	37	12	30	39	14	40	39	16	55
12	68.0	61.34	42	12	30	44	14	40	44	16	55
13	73.0	66.32	47	12	30	49	14	40	49	16	55
14	78.0	71.34	52	12	30	54	14	40	54	16	55
15	83.0	76.36	57	12	30	59	14	40	59	16	55
16	88.0	81.37	60	12	30	64	16	45	64	16	60
17	93.0	86.39	60	12	30	69	16	45	69	16	60
18	98.3	91.42	70	14	30	74	16	45	74	16	60
19	103.3	96.45	70	14	30	79	16	45	79	16	60
20	108.4	101.49	75	14	30	84	16	45	84	16	60
21	113.4	106.52	75	16	30	85	16	45	85	20	60
22	118.0	111.55	80	16	30	90	16	45	90	20	60
23	123.4	116.58	80	16	30	95	16	45	95	20	60
24	128.3	121.62	80	16	30	100	16	45	100	20	60
25	134.0	126.66	80	16	30	105	16	45	105	20	60
26	139.0	131.70	85	20	35	110	20	45	110	20	60
27	144.0	136.75	85	20	35	110	20	45	110	20	60
28	148.7	141.78	90	20	35	115	20	45	115	20	60
29	153.8	146.83	90	20	35	115	20	45	115	20	60
30	158.8	151.87	90	20	35	120	20	45	120	20	60
31	163.9	156.92	95	20	35	120	20	45	120	20	60
32	168.9	161.95	95	20	35	120	20	45	120	20	60
33	174.5	167.00	95	20	35	120	20	45	120	20	60
34	179.0	172.05	95	20	35	120	20	45	120	20	60
35	184.1	177.10	95	20	35	120	20	45	120	20	60
36	189.1	182.15	100	20	35	120	20	45	120	25	60
37	194.2	187.20	100	20	35	120	20	45	120	25	60
38	199.2	192.24	100	20	35	120	20	45	120	25	60
39	204.2	197.29	100	20	35	120	20	45	120	25	60
40	209.3	202.34	100	20	35	120	20	45	120	25	60

10B

5/8" x 3/8"

For Roller Chains DIN8187 ISO/R 606


SPROCKET

Tooth radius	r ₃	16
Radius width	C	1.6
Tooth width	B ₁	9.1
Tooth width	b ₁	9.0
Tooth width	B ₂	25.5
Tooth width	B ₃	42.1

CHAIN

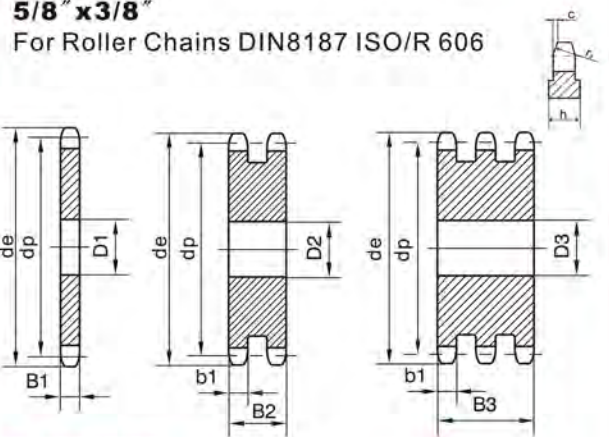
Pitch	15.875
Inner width	9.65
Roller diameter	10.16

Z	S _p			D _p			T _p				
	d _e	d _p	A	d _m	D ₁	A	d _m	D ₁	A		
8	47.0	41.48	10	12	12	44	230.0	222.53	20	20	25
9	52.6	46.42	10	12	12	45	235.0	227.58	20	20	25
10	57.5	51.37	10	12	16	46	240.1	232.63	20	25	25
11	63.0	56.34	10	14	16	47	245.1	237.68	20	25	25
12	68.0	61.34	10	14	16	48	250.2	242.73	20	25	25
13	73.0	66.32	10	14	16	49	255.2	247.78	20	25	25
14	78.0	71.34	10	14	16	50	260.3	252.82	20	25	25
15	83.0	76.36	10	14	16	51	265.3	257.87	20	25	25
16	88.0	81.37	12	16	16	52	270.4	262.92	20	25	25
17	93.0	86.38	12	16	16	53	275.4	267.97	20	25	25
18	98.3	91.42	12	16	16	54	280.5	273.03	20	25	25
19	103.3	96.45	12	16	16	55	285.5	278.08	20	25	25
20	108.4	101.49	12	16	16	56	290.6	283.13	25	25	25
21	113.4	106.52	12	16	20	57	296.0	288.18	25	25	25
22	118.0	111.55	12	16	20	58	300.7	293.23	25	25	25
23	123.5	116.58	12	16	20	59	305.7	298.27	25	25	25
24	128.3	121.62	12	16	20	60	310.8	303.32	25	25	25
25	134.0	126.66	12	16	20	62	321.4	313.43	25	25	30
26	139.0	131.70	16	16	20	64	331.5	323.53	25	25	30
27	144.0	136.75	16	16	20	65	336.5	328.58	25	25	30
28	148.7	141.78	16	16	20	66	341.6	333.63	25	25	30
29	153.8	146.83	16	16	20	68	351.7	343.74	25	25	30
30	158.8	151.87	16	16	20	70	361.8	353.84	25	25	30
31	163.9	156.92	16	20	20	72	371.9	363.95	25	25	30
32	168.9	161.95	16	20	20	75	387.1	379.09	25	25	30
33	174.5	167.00	16	20	20	76	392.1	384.16	25	25	30
34	179.0	172.05	16	20	20	78	402.2	394.25	25	25	30
35	184.1	177.10	16	20	20	80	412.3	404.35	25	30	30
36	189.1	182.15	20	20	25	85	437.6	429.62	30	30	30
37	194.2	187.20	20	20	25	90	462.8	454.88	30	30	30
38	199.2	192.24	20	20	25	95	488.5	480.14	30	30	30
39	204.2	197.29	20	20	25	100	513.4	505.39	30	30	30
40	209.3	202.34	20	20	25	110	563.9	555.92	30	30	30
41	214.8	207.39	20	20	25	114	584.1	576.13	30	30	30
42	219.9	212.44	20	20	25	120	614.4	606.45	30	30	30
43	224.9	217.49	20	20	25	125	639.7	631.51	30	30	30

10A

5/8" x 3/8"

For Roller Chains DIN8187 ISO/R 606


PLATEWHEEL

Tooth radius	r ₃	16
Radius width	C	1.6
Tooth width	B ₁	9.1
Tooth width	b ₁	9.0
Tooth width	B ₂	25.5
Tooth width	B ₃	42.1

CHAIN

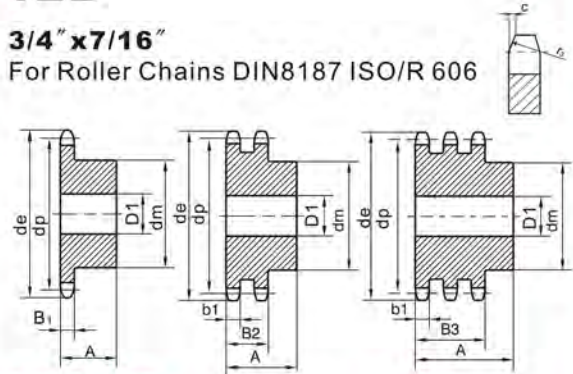
Pitch	15.875
Inner width	9.65
Roller diameter	10.16

Sprockets & Platewheels

Z	Simplex			Doublex			Triplex							
	d _e	d _p	A	d _m	D ₁	A	d _m	D ₁	A					
8	57.6	49.78	30	31	12	30	31	12	45	31	16	65		
9	62.0	55.70	37	12	30	37	12	45	37	16	65	37	16	65
10	69.0	61.64	42	12	30	42	12	45	42	16	65	42	16	65
11	75.0	67.61	46	14	35	47	16	50	47	20	70	47	20	70
12	81.5	73.61	52	14	35	53	16	50	53	20	70	53	20	70
13	87.5	79.59	58	14	35	59	16	50	59	20	70	59	20	70
14	93.6	85.61	64	14	35	65	16	50	65	20	70	65	20	70
15	99.8	91.63	70	14	35	71	16	50	71	20	70	71	20	70
16	105.5	97.65	75	16	35	77	20	50	77	20	70	77	20	70
17	111.5	103.67	80	16	35	83	20	50	83	20	70	83	20	70
18	118.0	109.71	80	16	35	89	20	50	89	20	70	89	20	70
19	124.2	115.75	80	16	35	95	20	50	95	20	70	95	20	70
20	129.7	121.78	80	16	35	100	20	50	100	20	70	100	20	70
21	136.0	127.82	90	20	40	100	20	50	100	20	70	100	20	70
22	141.8	133.86	90	20	40	100	20	50	100	20	70	100	20	70
23	149.0	139.9	90	20	40	110	20	50	110	20	70	110	20	70
24	153.9	145.94	90	20	40	110	20	50	110	20	70	110	20	70
25	160.0	152.00	90	20	40	120	20	50	120	20	70	120	20	70
26	165.9	158.04	95	20	40	120	20	50	120	20	70	120	20	70
27	172.3	164.09	95	20	40	120	20	50	120	20	70	120	20	70
28	178.0	170.13	95	20	40	120	20	50	120	20	70	120	20	70
29	184.1	176.19	95	20	40	120	20	50	120	20	70	120	20	70
30	190.5	182.25	95	20	40	120	20	50	120	20	70	120	20	70
31	196.3	188.31	100	20	40	130	20	50	130	25	70	130	25	70
32	203.3	194.35	100	20	40	130	20	50	130	25	70	130	25	70
33	209.3	200.40	100	20	40	130	20	50	130	25	70	130	25	70
34	214.6	206.46	100	20	40	130	20	50	130	25	70	130	25	70
35	221.0	212.52	100	20	40	130	20	50	130	25	70	130	25	70
36	226.8	218.58	100	20	40	130	25	50	130	25	70	130	25	70
37	232.9	224.64	100	20	40	130	25	50	130	25	70	130	25	70
38	239.0	230.69	100	20	40	130	25	50	130	25	70	130	25	70
39	245.1	236.75	100	20	40	130	25	50	130	25	70	130	25	70
40	251.3	242.81	100	20	40	130	25	50	130	25	70	130	25	70

12B

3/4" x 7/16"
For Roller Chains DIN8187 ISO/R 606



SPROCKET

Parameter	Symbol	Value (mm)
Tooth radius	r ₃	19
Radius width	C	2.0
Tooth width	B ₁	11.1
Tooth width	b ₁	10.8
Tooth width	B ₂	30.3
Tooth width	B ₃	49.8

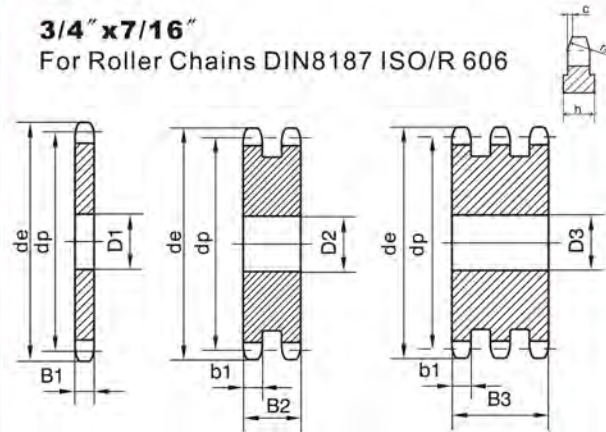
CHAIN

Parameter	Value (mm)
Pitch	19.05
Inner width	11.68
Roller diameter	12.07

Z	d _e	d _p	S _p			Z	d _e	d _p	S _p		
			D ₁	D ₂	T _p				D ₁	D ₂	T _p
8	57.6	49.78	12	12	16	44	276.5	267.04	25	25	25
9	62.0	55.70	12	12	16	45	282.5	273.10	25	25	25
10	69.0	61.64	12	12	16	46	287.9	279.16	25	25	25
11	75.0	67.61	14	16	20	47	294.0	285.21	25	25	25
12	81.5	73.61	14	16	20	48	300.1	291.27	25	25	25
13	87.5	79.59	14	16	20	49	306.2	297.33	25	25	25
14	93.6	85.61	14	16	20	50	312.3	303.39	25	25	25
15	99.8	91.63	14	16	20	51	318.4	309.45	25	25	25
16	105.5	97.65	14	20	20	52	324.5	315.50	25	25	25
17	111.5	103.67	14	20	20	53	330.5	321.56	25	25	25
18	118.0	109.71	14	20	20	54	336.6	327.64	25	25	25
19	124.2	115.75	14	20	20	55	342.7	333.70	25	25	25
20	129.7	121.78	14	20	20	56	348.7	339.75	25	25	30
21	136.0	127.82	16	20	20	57	355.4	345.81	25	25	30
22	141.8	133.86	16	20	20	58	361.5	351.87	25	25	30
23	149.0	139.90	16	20	20	59	367.5	357.93	25	25	30
24	153.9	145.94	16	20	20	60	373.0	363.99	25	25	30
25	160.0	152.00	16	20	20	62	385.1	376.12	25	30	30
26	165.9	158.04	16	20	20	64	397.2	388.24	25	30	30
27	172.3	164.09	16	20	20	65	403.2	394.29	25	30	30
28	178.0	170.13	16	20	20	66	409.3	400.35	30	30	30
29	184.1	176.19	16	20	20	68	421.4	412.49	30	30	30
30	190.5	182.25	16	20	20	70	433.6	424.60	30	30	30
31	196.3	188.31	20	20	25	72	447.0	436.74	30	30	30
32	203.3	194.36	20	20	25	75	463.9	454.91	30	30	30
33	209.2	200.40	20	20	25	76	469.9	460.99	30	30	30
34	214.6	206.46	20	20	25	78	482.1	473.10	30	30	30
35	221.0	212.52	20	20	25	80	494.2	485.22	30	30	30
36	226.8	218.58	20	25	25	85	524.5	515.55	30	30	30
37	232.9	224.64	20	25	25	90	554.8	545.86	30	30	30
38	239.0	230.69	20	25	25	95	585.1	576.17	30	30	30
39	245.1	236.75	20	25	25	100	615.4	606.47	30	30	30
40	251.3	242.81	20	25	25	110	676.1	667.11	30	30	30
41	257.3	248.87	25	25	25	114	700.6	691.36	30	30	30
42	264.5	254.93	25	25	25	120	736.7	727.74	30	30	30
43	270.5	260.98	25	25	25	125	767.0	758.05	30	30	30

12A

3/4" x 7/16"
For Roller Chains DIN8187 ISO/R 606



PLATEWHEEL

Parameter	Symbol	Value (mm)
Tooth radius	r ₃	19
Radius width	C	2.0
Tooth width	B ₁	11.1
Tooth width	b ₁	10.8
Tooth width	B ₂	30.3
Tooth width	B ₃	49.8

CHAIN

Parameter	Value (mm)
Pitch	19.05
Inner width	11.68
Roller diameter	12.07

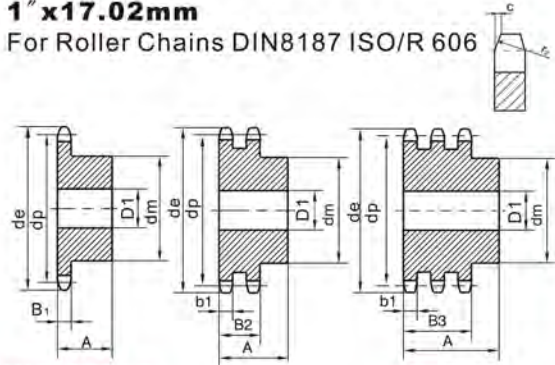
Sprockets & Platewheels

Z	d _e	d _p	Simplex			Doublex			Triplex		
			d _m	D ₁	A	d _m	D ₁	A	d _m	D ₁	A
8	77.0	66.37	42	16	35	42	16	65	42	20	95
9	85.0	74.27	50	16	35	50	16	65	50	20	95
10	93.0	82.19	55	16	35	56	16	65	56	20	95
11	99.5	90.14	61	16	40	64	20	70	64	25	100
12	109.0	98.14	69	16	40	72	20	70	72	25	100
13	117.0	106.12	78	16	40	80	20	70	80	25	100
14	125.0	114.15	84	16	40	88	20	70	88	25	100
15	133.0	122.17	92	16	40	96	20	70	96	25	100
16	141.0	130.20	100	20	45	104	20	70	104	30	100
17	149.0	138.22	100	20	45	112	20	70	112	30	100
18	157.0	146.28	100	20	45	120	20	70	120	30	100
19	165.2	154.33	100	20	45	128	20	70	128	30	100
20	173.2	162.38	100	20	45	130	20	70	130	30	100
21	181.2	170.43	110	20	50	130	25	70	*130	30	100
22	189.3	178.48	110	20	50	*130	25	70	*130	30	100
23	197.5	186.53	110	20	50	*130	25	70	*130	30	100
24	205.5	194.59	110	20	50	*130	25	70	*130	30	100
25	213.5	202.66	110	20	50	*130	25	70	*130	30	100
26	221.6	210.72	120	20	50	*130	25	70	*130	30	100
27	229.6	218.79	120	20	50	*130	25	70	*130	30	100
28	237.7	226.85	120	20	50	*130	25	70	*130	30	100
29	245.8	234.92	120	20	50	*130	25	70	*130	30	100
30	254.0	243.00	120	20	50	*130	25	70	*130	30	100
31	262.0	251.08	*120	25	50	*140	25	70	*140	30	100
32	270.0	259.13	*120	25	50	*140	25	70	*140	30	100
33	278.5	267.21	*120	25	50	*140	25	70	*140	30	100
34	287.0	275.28	*120	25	50	*140	25	70	*140	30	100
35	296.2	283.36	*120	25	50	*140	25	70	*140	30	100
36	304.6	291.44	*120	25	50	*140	25	70	*140	30	100
37	312.6	299.51	*120	25	50	*140	25	70	*140	30	100
38	320.7	307.59	*120	25	50	*140	25	70	*140	30	100
39	328.8	315.67	*120	25	50	*140	25	70	*140	30	100
40	336.9	323.75	*120	25	50	*140	25	70	*140	30	100

16B

1" x 17.02mm

For Roller Chains DIN8187 ISO/R 606



SPROCKET

Parameter	Symbol	Value (mm)
Tooth radius	r ₃	26
Radius width	C	2.5
Tooth width	B ₁	16.2
Tooth width	b ₁	15.8
Tooth width	B ₂	47.7
Tooth width	B ₃	79.6

CHAIN

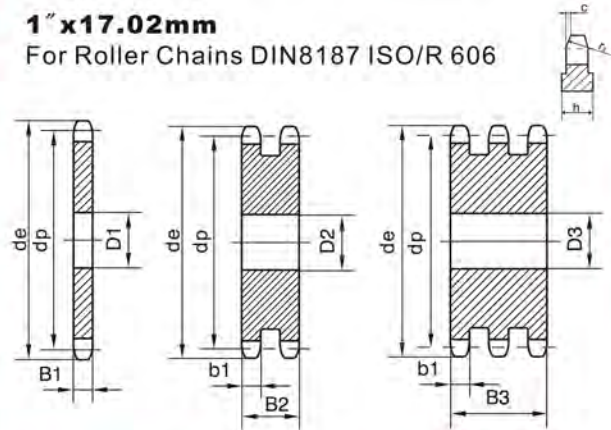
Parameter	Value (mm)
Pitch	25.4
Inner width	17.02
Roller diameter	15.88

Z	d _e	d _p	S _P			D _P			T _P		
			D ₁	D ₂	D ₃	Z	d _e	d _p	Z	d _e	d _p
8	77.0	66.37	14	16	20	44	369.1	356.06	25	25	30
9	85.0	74.27	14	16	20	45	377.1	364.13	25	25	30
10	93.0	82.19	15	16	20	46	385.2	372.21	25	30	30
11	99.5	90.14	15	20	25	47	393.2	380.29	25		
12	109.0	98.14	15	20	25	48	401.3	388.36	25	30	30
13	117.0	106.12	15	20	25	49	409.3	396.44	25		
14	125.0	114.15	15	20	25	50	417.4	404.52	25	30	30
15	133.0	122.17	15	20	25	51	425.5	412.60	30	30	40
16	141.0	130.20	19	20	30	52	433.6	420.67	30	30	40
17	149.0	138.22	19	20	30	53	441.7	428.75	30		
18	157.0	146.28	19	20	30	54	448.3	436.85	30		
19	165.2	154.33	19	20	30	55	457.9	444.93	30	30	40
20	173.2	162.38	19	20	30	56	466.0	453.01	30	30	
21	181.2	170.43	20	25	30	57	474.0	461.07	30	30	40
22	189.3	178.48	20	25	30	58	482.1	469.16	30		
23	197.5	186.53	20	25	30	59	490.2	477.24	30		
24	205.5	194.59	20	25	30	60	498.3	485.32	30	30	40
25	213.5	202.66	20	25	30	62	514.5	501.50	30	30	
26	221.6	210.72	20	25	30	64	530.7	517.65	30		
27	229.6	218.79	20	25	30	65	538.8	525.73	30	30	40
28	237.7	226.85	20	25	30	66	546.8	533.80	30		
29	245.8	234.92	20	25	30	68	562.9	549.98	30	30	40
30	254.0	243.00	20	25	30	70	579.2	566.14	30	30	40
31	262.0	251.08	25	25	30	72	595.4	582.32	30	30	40
32	270.0	259.13	25	25	30	75	619.7	606.55	30	30	40
33	278.5	267.21	25	25	30	76	627.0	614.65	30	30	40
34	287.0	275.28	25	25	30	78	643.3	630.80	30		
35	296.2	283.36	25	25	30	80	660.0	646.96	30	30	40
36	304.6	291.44	25	25	30	85	699.9	687.40	30	30	40
37	312.6	299.51	25	25	30	90	740.3	727.81	30	30	40
38	320.7	307.59	25	25	30	95	781.1	768.22	30	30	40
39	328.8	315.67	25	25	30	100	821.1	808.63	30	30	40
40	336.9	323.75	25	25	30	110	902.0	889.48	30	30	40
41	345.0	331.82	25			114	934.3	921.81	30	40	40
42	353.0	339.90	25	25	30	120	982.8	970.33	30	40	40
43	361.1	347.98	25	25		125	1023.2	1010.73	30	40	40

16A

1" x 17.02mm

For Roller Chains DIN8187 ISO/R 606



PLATEWHEEL

Parameter	Symbol	Value (mm)
Tooth radius	r ₃	26
Radius width	C	2.5
Tooth width	B ₁	16.2
Tooth width	b ₁	15.8
Tooth width	B ₂	47.7
Tooth width	B ₃	79.6

CHAIN

Parameter	Value (mm)
Pitch	25.4
Inner width	17.02
Roller diameter	15.88

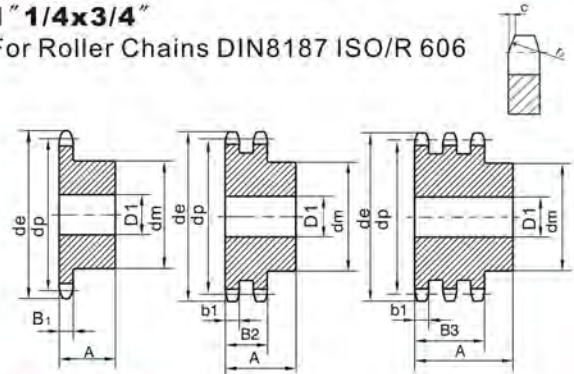
Sprockets & Platewheels

Z	d _e	d _p	Simplex			Duplex			Triplex		
			d _m	D ₁	A	d _m	D ₁	A	d _m	D ₁	A
8	98.1	82.96	53	20	40	53	20	75	53	20	110
9	108.0	92.84	63	20	40	63	20	75	63	20	110
10	117.9	102.74	70	20	40	70	20	75	70	20	110
11	127.8	112.68	77	20	45	80	20	80	80	20	115
12	137.8	122.68	88	20	45	90	20	80	90	20	115
13	147.8	132.65	98	20	45	100	20	80	100	20	115
14	157.8	142.68	108	20	45	110	20	80	110	20	115
15	167.9	152.72	118	20	45	120	20	80	120	20	115
16	177.9	162.75	120	25	50	120	25	80	120	25	115
17	187.9	172.78	120	25	50	120	25	80	120	25	115
18	198.0	182.85	120	25	50	*120	25	80	*120	25	115
19	208.1	192.91	120	25	50	*120	25	80	*120	25	115
20	218.1	202.98	120	25	50	*120	25	80	*120	25	115
21	228.2	213.04	140	25	55	*140	25	80	*140	25	115
22	238.3	223.11	140	25	55	*140	25	80	*140	25	115
23	248.3	233.17	140	25	55	*140	25	80	*140	25	115
24	258.4	243.23	140	25	55	*140	25	80	*140	25	115
25	268.5	253.33	140	25	55	*140	25	80	*140	25	115
26	278.6	263.40	*150	25	55	*150	25	80	*150	25	115
27	288.6	273.49	*150	25	55	*150	25	80	*150	25	115
28	298.7	283.56	*150	25	55	*150	25	80	*150	25	115
29	308.8	293.65	*150	25	55	*150	25	80	*150	25	115
30	318.9	303.75	*150	25	55	*150	25	80	*150	25	115
31	329.0	313.85	*160	25	55	*150	25	80	*150	30	115
32	339.1	323.91	*160	25	55	*150	25	80	*150	30	115
33	349.2	334.01	*160	25	55	*150	25	80	*150	30	115
34	359.3	344.10	*160	25	55	*150	25	80	*150	30	115
35	369.4	354.20	*160	25	55	*150	25	80	*150	30	115
36	379.5	364.30	*160	25	55	*150	30	80	*150	30	115
37	389.5	374.39	*160	25	55	*150	30	80	*150	30	115
38	399.6	384.49	*160	25	55	*150	30	80	*150	30	115
39	409.7	394.59	*160	25	55	*150	30	80	*150	30	115
40	419.8	404.69	*160	25	55	*150	30	80	*150	30	115

20B

1" 1/4x3/4"

For Roller Chains DIN8187 ISO/R 606



SPROCKET

Tooth radius	r ₃	33
Radius width	C	3.5
Tooth width	B ₁	18.5
Tooth width	b ₁	18.2
Tooth width	B ₂	54.6
Tooth width	B ₃	91

CHAIN

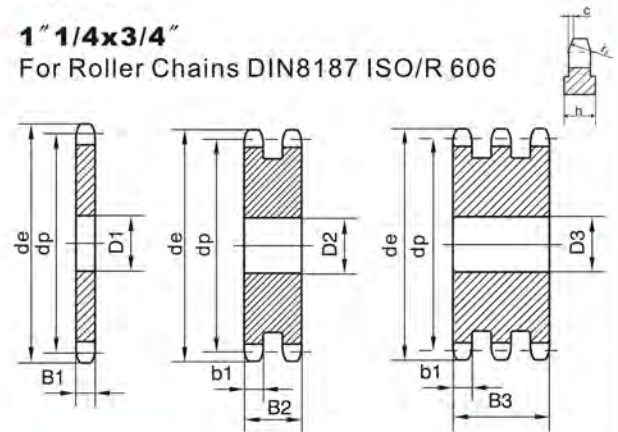
Pitch	31.75
Inner width	19.56
Roller diameter	19.05

Z	d _e	d _p	S _p			D _p			T _p		
			D ₁	D ₂	D ₃	Z	d _e	d _p	D ₁	D ₂	D ₃
8	98.1	82.96	16	20	20	43	450.1	434.97	30		
9	108.0	92.84	16	20	20	44	460.2	445.07	30		
10	117.9	102.74	16	20	20	45	470.3	455.17	30	30	40
11	127.8	112.68	16	20	20	46	480.4	465.26	30	30	40
12	137.8	122.68	20	20	20	47	490.5	475.36	30		
13	147.8	132.65	20	20	20	48	500.6	485.46	30	30	40
14	157.8	142.68	20	20	20	49	510.7	495.55	30		
15	167.9	152.72	20	20	20	50	520.8	505.65	30	30	40
16	177.9	162.75	25	25	25	51	530.9	515.75	30		
17	187.9	172.78	25	25	25	52	541.0	525.84	30	30	40
18	198.0	182.85	25	25	25	53	551.1	535.94	30		
19	208.1	192.91	25	25	25	54	561.2	546.07	30		
20	218.1	202.98	25	25	25	55	571.3	556.16	30	30	40
21	228.2	213.04	25	25	25	56	581.4	566.26	30		
22	238.3	223.11	25	25	25	57	591.5	576.36	30	30	40
23	248.3	233.17	25	25	25	58	601.6	586.45	30		
24	258.4	243.23	25	25	25	59	611.7	596.55	30		
25	268.5	253.33	25	25	-25	60	621.8	606.65	30	30	40
26	278.6	263.40	25	25	25	62	642.0	626.87	30		
27	288.6	273.49	25	25	25	64	662.2	647.06	30		
28	298.7	283.56	25	25	25	65	672.3	657.16	30	30	40
29	308.8	293.65	25	25	25	66	682.4	667.26	30		
30	318.9	303.75	25	25	25	68	702.6	687.48	30		
31	329.0	313.85	25	25	30	70	722.8	707.67	30	30	40
32	339.1	323.91	25	25	30	72	743.1	727.90	30		
33	349.2	334.01	25	25	30	75	773.3	758.19	30		
34	359.3	344.10	25	25	30	76	783.5	768.32	30	30	40
35	369.4	354.20	25	25	30	80	823.9	808.72	30	30	40
36	379.5	364.30	25	30	30	85	874.4	859.25	30		
37	389.5	374.39	25	30	30	90	924.9	909.76	30		
38	399.6	384.49	25	30	30	95	975.4	960.28	30	30	40
39	409.7	394.59	25	30	30	100	1026.0	1010.79	30		
40	419.8	404.68	25	30	30	114	1167.4	1152.26	30	40	40

20A

1" 1/4x3/4"

For Roller Chains DIN8187 ISO/R 606



PLATEWHEEL

Tooth radius	r ₃	33
Radius width	C	3.5
Tooth width	B ₁	18.5
Tooth width	b ₁	18.2
Tooth width	B ₂	54.6
Tooth width	B ₃	91

CHAIN

Pitch	31.75
Inner width	19.56
Roller diameter	19.05

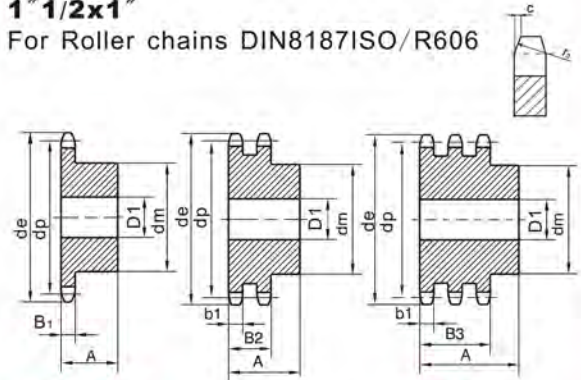
Sprockets & Platewheels

Z	d _e	d _p	Simplex			Doublex			Triplex		
			d _m	D ₁	A	d _m	D ₁	A	d _m	D ₁	A
8	115.0	99.55	58	20	45	58	25	95	58	25	140
9	126.4	111.40	70	20	45	70	25	95	70	25	140
10	138.0	123.29	80	20	45	80	25	95	80	25	140
11	150.0	135.21	90	25	50	90	25	100	90	25	150
12	162.0	147.22	102	25	50	102	25	100	102	25	150
13	174.2	159.18	114	25	50	114	25	100	114	25	150
14	186.2	171.22	128	25	50	128	25	100	128	25	150
15	198.2	183.26	140	25	50	140	25	100	140	25	150
16	210.3	195.30	*140	25	55	*140	25	100	*140	25	150
17	222.3	207.34	*140	25	55	*150	25	100	*150	25	150
18	234.3	219.42	*140	25	55	*160	25	100	*160	25	150
19	246.5	231.49	*140	25	55	*160	25	100	*160	25	150
20	258.6	243.57	*140	25	55	*160	25	100	*160	25	150
21	270.6	255.65	*150	25	60	*160	25	100	*160	30	150
22	282.7	267.73	*150	25	60	*160	25	100	*160	30	150
23	294.8	279.80	*150	25	60	*160	25	100	*160	30	150
24	306.8	291.88	*150	25	60	*160	25	100	*160	30	150
25	319.0	304.00	*150	25	60	*160	25	100	*160	30	150
26	331.0	316.08	*160	30	60	*160	30	100	*160	30	150
27	343.2	328.19	*160	30	60	*160	30	100	*160	30	150
28	355.2	340.27	*160	30	60	*160	30	100	*160	30	150
29	367.3	352.38	*160	30	60	*160	30	100	*160	30	150
30	379.5	364.50	*160	30	60	*160	30	100	*160	40	150
31	391.6	376.62	*160	30	60	*170	30	100			
32	403.7	388.69	*160	30	60	*170	30	100	*170	40	150
33	415.8	400.81	*160	30	60	*170	30	100	*170	40	150
34	427.8	412.93	*160	30	60	*170	30	100	*170	40	150
35	440.0	425.04	*160	30	60	*170	30	100	*170	40	150
36	452.0	437.16	*160	30	60	*170	30	100	*170	40	150
37	464.2	449.27	*160	30	60	*170	30	100			
38	476.2	461.39	*160	30	60	*170	30	100	*170	40	150
39	488.5	473.50	*160	30	60	*170	30	100			
40	500.6	485.62	*160	30	60	*170	30	100	*170	40	150

24B

1" 1/2x1"

For Roller chains DIN8187ISO/R606



SPROCKET

Tooth radius	r ₃	38
Radius width	C	4.0
Tooth width	B ₁	24.1
Tooth width	b ₁	23.6
Tooth width	B ₂	72
Tooth width	B ₃	120.3

CHAIN

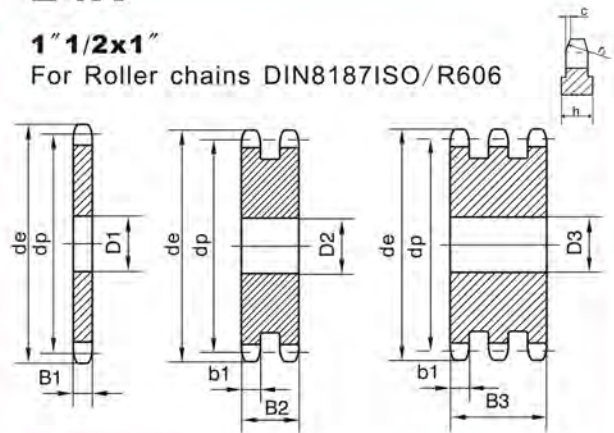
Pitch	38.1
Inner width	25.4
Roller diameter	25.4

Z	d _e	d _p	S _p D _p T _p			Z	d _e	d _p	S _p D _p T _p		
			D ₁	D ₂	D ₃				D ₁	D ₂	D ₃
8	115.0	99.55	20	25	25	40	500.6	485.62	30	30	40
9	126.4	111.40	20	25	25	41	512.6	497.74	30		
10	138.0	123.29	20	25	25	42	524.7	509.85	30	40	40
11	150.0	135.21	20	25	25	43	536.8	521.97	30		
12	162.0	147.22	20	25	25	44	549.0	534.08	30		
13	174.2	159.18	20	25	25	45	561.2	546.20	30	40	40
14	186.2	171.22	20	25	25	46	573.3	558.32	30	40	40
15	198.2	183.26	20	25	25	47	585.4	570.43	30		
16	210.3	195.30	25	25	25	48	597.4	582.55	30	40	40
17	222.3	207.34	25	25	25	49	609.5	594.66	30		
18	234.3	219.42	25	25	25	50	621.7	606.78	30	40	40
19	246.5	231.49	25	25	25	51	633.8	618.89	30		
20	258.6	243.57	25	25	25	52	646.0	631.01	30		
21	270.6	255.65	25	25	30	53	658.0	643.13	30		
22	282.7	267.73	25	25	30	54	670.2	655.28	30		
23	294.8	279.80	25	25	30	55	682.3	667.40	30	40	40
24	306.8	291.88	25	25	30	56	694.4	679.51	30		
25	319.0	304.00	25	25	30	57	706.5	691.63	30	40	40
26	331.0	316.08	30	30	30	58	718.6	703.74	30		
27	343.2	328.19	30	30	30	59	730.7	715.86	30		
28	355.2	340.27	30	30	30	60	742.8	727.97	30	40	40
29	367.3	352.38	30	30	30	62	767.2	752.24	40		
30	379.5	364.50	30	30	40	64	791.3	776.48	40		
31	391.6	376.62	30	30		65	803.4	788.59	40	40	40
32	403.7	388.69	30	30	40	66	815.6	800.71	40		
33	415.8	400.81	30	30	40	68	839.8	824.98	40		
34	427.8	412.93	30	30	40	70	864.2	849.21	40		
35	440.0	425.04	30	30	40	72	888.4	873.48	40		
36	452.0	437.16	30	30	40	75	924.8	909.83	40		
37	464.2	449.27	30	30		76	936.9	921.98	40	40	40
38	476.2	461.39	30	30	40	80	985.4	970.44	40		
39	488.5	473.50	30	30		85	1046.0	1031.10	40		

24A

1" 1/2x1"

For Roller chains DIN8187ISO/R606



PLATEWHEEL

Tooth radius	r ₃	38
Radius width	C	4.0
Tooth width	B ₁	24.1
Tooth width	b ₁	23.6
Tooth width	B ₂	72
Tooth width	B ₃	120.3

CHAIN

Pitch	38.1
Inner width	25.4
Roller diameter	25.4

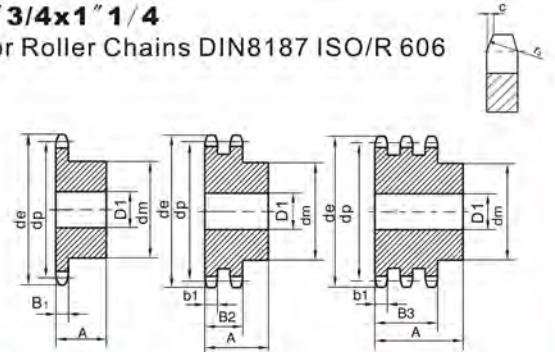
Sprockets & Platewheels

Z	d _e	d _p	Simplex			Doublex			Triplex		
			d _m	D ₁	A	d _m	D ₁	A	d _m	D ₁	A
8	132.0	116.15	74	25	70	74	25	120	74	30	180
9	148.4	129.96	88	25	70	88	25	120	88	30	180
10	162.3	143.85	100	25	70	100	25	120	100	30	180
11	176.3	157.77	112	25	70	112	25	120	112	30	180
12	189.5	171.74	125	25	70	125	25	120	125	30	180
13	204.2	185.75	*130	25	70	*130	25	120	*130	30	180
14	218.2	199.76	*130	25	70	*130	25	120	*130	30	180
15	232.3	213.79	*145	25	70	*145	25	120	*145	30	180
16	246.3	227.84	*160	30	75	*160	30	120	*160	30	180
17	260.0	241.91	*160	30	75	*160	30	120	*160	30	180
18	274.0	255.98	*160	30	75	*160	30	120	*160	30	180
19	289.0	270.06	*160	30	75	*180	30	120	*180	30	180
20	303.0	284.15	*160	30	75	*180	30	120	*180	30	180
21	317.0	298.24	*170	30	75	*180	30	120	*180	30	180
22	331.0	312.34	*170	30	75	*180	30	120	*180	30	180
23	345.0	326.44	*170	30	75	*180	30	120	*180	30	180
24	359.0	340.55	*170	30	75	*180	30	120	*180	30	180
25	373.0	354.66	*170	30	75	*180	30	120	*180	40	180
26	387.0	368.77	*170	30	75	*180	30	120	*180	40	180
27	401.4	382.88	*170	30	75	*180	30	120	*180	40	180
28	416.0	397.00	*170	30	75	*180	30	120	*180	40	180
29	430.0	411.12	*170	30	75	*180	30	120	*180	40	180
30	444.0	425.24	*170	30	75	*180	30	120	*180	40	180
31	458.0	439.37	*180	30	75						
32	472.0	453.49	*180	30	75						
33	486.0	467.62	*180	30	75						
34	500.0	481.75	*180	30	75						
35	514.0	495.88	*180	30	75	*200	30	120	*200	40	180
36	529.0	510.01	*180	30	75	*180	30	120			
37	543.0	524.14	*180	30	75						
38	557.0	538.27	*180	30	75	*200	30	120	*200	40	180
39	571.0	552.40	*180	30	75						
40	585.0	566.54	*180	30	75	*200	30	120	*200	40	180

28B

1" 3/4x1" 1/4

For Roller Chains DIN8187 ISO/R 606



SPROCKET

Tooth radius	r ₃	44
Radius width	C	5.0
Tooth width	B ₁	29.4
Tooth width	b ₁	28.8
Tooth width	B ₂	88.4
Tooth width	B ₃	148

CHAIN

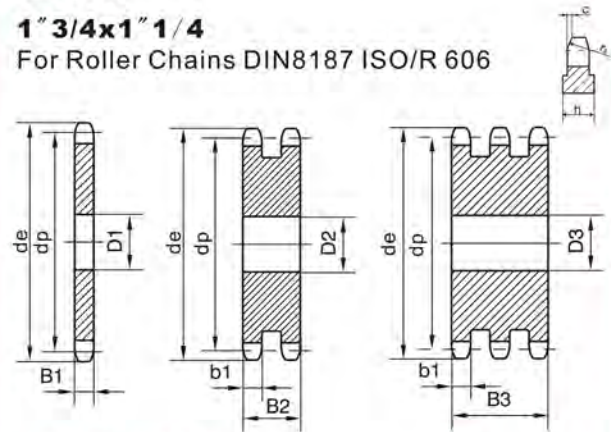
Pitch	44.45
Inner width	30.99
Roller diameter	27.94

Z	d _e	d _p	S _p			Z	d _e	d _p	S _p		
			D ₁	D ₂	T _p				D ₁	D ₂	D ₃
8	132.0	116.15	25	25	25	57	825.0	806.90	40	40	40
9	148.4	129.96	25	25	25	60	869.0	849.32	40	40	40
10	162.3	143.85	25	25	25	76	1095.0	1075.62	40	40	40
11	176.3	157.77	25	25	30						
12	189.5	171.74	25	25	30						
13	204.2	185.75	25	25	30						
14	218.2	199.76	25	25	30						
15	232.3	213.79	25	25	30						
16	246.3	227.84	30	30	30						
17	260.0	241.91	30	30	30						
18	274.0	255.98	30	30	30						
19	289.0	270.06	30	30	30						
20	303.0	284.15	30	30	30						
21	317.0	298.24	30	30	30						
22	331.0	312.34	30	30	30						
23	345.0	326.44	30	30	30						
24	359.0	340.55	30	30	30						
25	373.0	354.66	30	30	40						
26	387.0	368.77	30	30	40						
27	401.4	382.88	30	30	40						
28	416.0	397.00	30	30	40						
29	430.0	411.12	30	30							
30	444.0	425.24	30	30	40						
31	458.0	439.37	30								
32	472.0	453.49	30								
33	486.0	467.62	30								
34	500.0	481.75	30								
35	514.0	495.88	30	30	40						
36	529.0	510.01	30								
37	543.0	524.14	30								
38	557.0	538.27	30	30	40						
39	571.0	552.40	30								
40	585.0	566.54	30	30	40						
45	656.0	637.22	30	30	40						
50	726.0	707.91	30	30	40						

28A

1" 3/4x1" 1/4

For Roller Chains DIN8187 ISO/R 606



PLATEWHEEL

Tooth radius	r ₃	44
Radius width	C	5.0
Tooth width	B ₁	29.4
Tooth width	b ₁	28.8
Tooth width	B ₂	88.4
Tooth width	B ₃	148

CHAIN

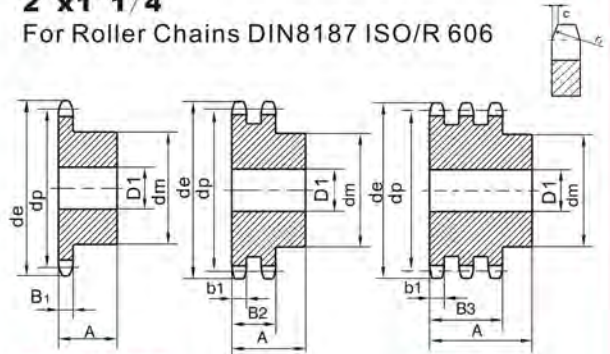
Pitch	44.45
Inner width	30.99
Roller diameter	27.94

Sprockets & Platewheels

Z	d _e	d _p	Simplex			Doublex			Triplex		
			d _m	D ₁	A	d _m	D ₁	A	d _m	D ₁	A
8	153.2	132.69	82	25	80	82	30	120	82	30	180
9	169.0	148.54	88	25	80	88	30	120	88	30	180
10	185.0	164.44	104	25	80	104	30	120	104	30	180
11	200.8	180.34	120	30	80	120	30	120	120	30	180
12	216.8	196.29	*133	30	80	*133	30	120	*133	30	180
13	232.8	212.29	*145	30	80	*145	30	120	*145	30	180
14	248.8	228.29	*160	30	80	*160	30	120	*160	30	180
15	264.8	244.30	*160	30	80	*160	30	120	*160	30	180
16	280.9	260.40	*160	30	90	*160	30	120	*160	30	180
17	296.9	276.40	*170	30	90	*180	30	120	*180	30	180
18	313.0	292.55	*170	30	90	*180	30	120	*180	30	180
19	329.1	308.66	*170	30	90	*200	30	120	*200	30	180
20	345.2	324.71	*180	30	90	*200	30	120	*200	30	180
21	361.3	340.82	*180	30	90	*200	30	120	*200	40	180
22	377.5	356.98	*180	30	90	*200	30	120	*200	40	180
23	393.6	373.08	*180	30	90	*200	30	120	*200	40	180
24	409.7	389.18	*180	30	90	*200	30	120	*200	40	180
25	425.8	405.33	*180	30	90	*200	30	120	*200	40	180
26	441.9	421.44	*180	30	90	*200	30	120	*200	40	180
27	458.1	437.59	*180	30	90	*200	30	120	*200	40	180
28	474.2	453.69	*180	30	90	*200	30	120	*200	40	180
29	490.4	469.90	*180	30	90						
30	506.5	486.00	*180	30	90	*200	30	120	*200	40	180
32	538.8	518.28	*180	30	90						
35	589.5	566.72	*180	30	90						
38	635.5	615.14	*180	30	90						
40	670.3	647.49	*180	30	90						

32B
2" x 1" 1/4

For Roller Chains DIN8187 ISO/R 606


SPROCKET

Tooth radius	r ₃	51
Radius width	C	5.0
Tooth width	B ₁	29.4
Tooth width	b ₁	28.8
Tooth width	B ₂	87.4
Tooth width	B ₃	146

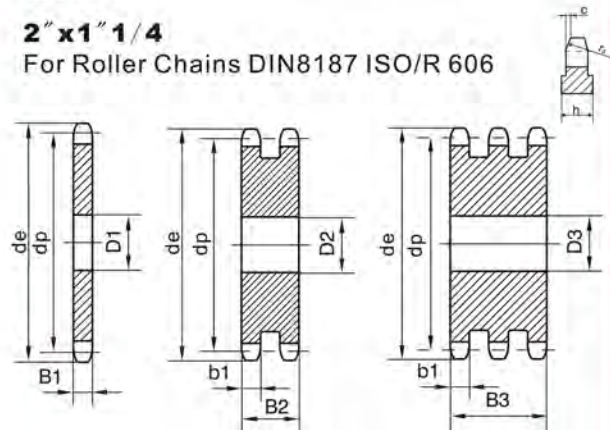
CHAIN

Pitch	50.8
Inner width	30.99
Roller diameter	29.21

Z	d _e	d _p	S _P	D _P	T _P
			D ₁	D ₂	D ₃
8	153.2	132.69	25	25	25
9	169.0	148.54	25	25	25
10	185.0	164.44	25	25	25
11	200.8	180.34	30	30	30
12	216.8	196.29	30	30	30
13	232.8	212.29	30	30	30
14	248.8	228.29	30	30	30
15	264.8	244.30	30	30	30
16	280.9	260.40	30	30	30
17	296.9	276.40	30	30	30
18	313.0	292.55	30	30	30
19	329.1	308.66	30	30	30
20	345.2	324.71	30	30	30
21	361.3	340.82	30	30	40
22	377.5	356.98	30	30	40
23	393.6	373.08	30	30	40
24	409.7	389.18	30	30	40
25	425.8	405.33	30	30	40
26	441.9	421.44	30	30	40
27	458.1	437.59	30	30	40
28	474.2	453.69	30	30	40
29	490.4	469.90	30		
30	506.5	486.00	30	30	40
32	538.8	518.26	30		
35	589.5	566.72	30	30	40
38	635.5	615.14	30	30	40
40	670.3	647.49	40	40	40
45	751.0	728.26	40	40	40
50	831.8	809.04	40	40	40
57	945.0	922.17	40	40	40
60	993.4	970.63	40	40	40
76	1252.0	1229.28	40	40	40

32A
2" x 1" 1/4

For Roller Chains DIN8187 ISO/R 606


PLATEWHEEL

Tooth radius	r ₃	51
Radius width	C	5.0
Tooth width	B ₁	29.4
Tooth width	b ₁	28.8
Tooth width	B ₂	87.4
Tooth width	B ₃	146

CHAIN

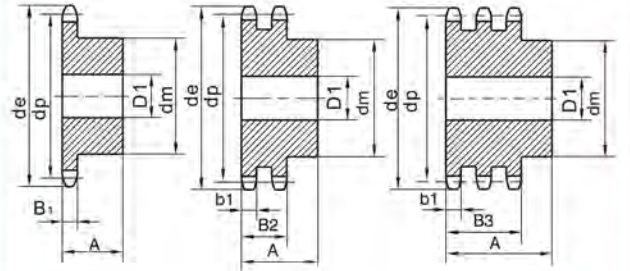
Pitch	50.8
Inner width	30.99
Roller diameter	29.21

Sprockets & Platewheels

Z	d _e	d _p	Simplex			Doublex		
			d _m	D ₁	A	d _m	D ₁	A
10	35.70	30.82	20	8	22			
11	38.69	33.80	22	8	25			
12	41.68	36.80	25	8	25			
13	44.68	39.80	28	10	25	28	10	25
14	47.68	42.80	31	10	25	31	10	25
15	50.69	45.81	34	10	25	34	10	25
16	53.70	48.82	37	10	28	37	12	30
17	56.72	51.83	38	10	28	40	12	30
18	59.73	54.85	38	10	28	43	12	30
19	62.75	57.87	46	10	28	46	12	30
20	65.77	60.89	46	10	28	49	12	30
21	68.79	63.91	46	10	28	52	12	30
22	71.81	66.93	52	12	28	55	12	30
23	74.83	69.95	52	12	28	58	12	30
24	77.85	72.97	52	12	28	61	12	30
25	80.88	76.00	58	12	28	64	12	30
26	83.90	79.02	58	12	28	67	12	30
27	86.93	82.04	58	12	28	70	12	30
28	89.95	85.07	60	12	28	73	12	30
30	96.00	91.12	60	12	28			

ASA35

Pitch 3/8" x 3/16"
For Roller Chains DIN8188
ISO/R606-ANSI B29.1



SPROCKET

		mm
Tooth radius	r ₃	10
Radius width	C	1.2
Tooth width	B ₁	4.4
Tooth width	b ₁	4.3
Tooth width	B ₂	14.4

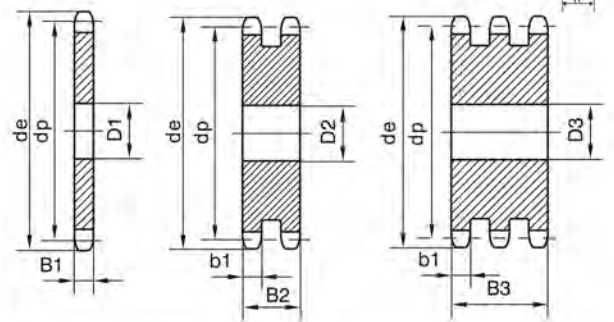
CHAIN

	mm
Pitch	9.525
Inner width	4.77
Roller diameter	5.08

Z	d _e	d _p	S _P	D _P	T _P
			D ₁	D ₂	D ₃
30	96.00	91.12		12	
32	102.06	97.17	12		
36	114.17	109.29	12		
38	120.22	115.34	12	14	
40	126.28	121.40	12		
45	141.43	136.55	16	16	
48	150.52	145.64	16		
57	177.79	172.91	16	16	
76	235.37	230.49	20	20	

ASA35

Pitch 3/8" x 3/16"
For Roller Chains DIN8188
ISO/R606-ANSI B29.1



PLATEWHEEL

		mm
Tooth radius	r ₃	10
Radius width	C	1.2
Tooth width	B ₁	4.4
Tooth width	b ₁	4.3
Tooth width	B ₂	14.4

CHAIN

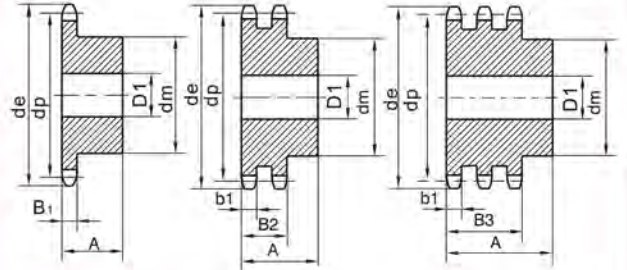
	mm
Pitch	9.525
Inner width	4.77
Roller diameter	5.08

Sprockets & Platewheels

Z	d _e	d _p	Simplex			Doublex			Triplex		
			d _m	D ₁	A	d _m	D ₁	A	d _m	D ₁	A
10	47.66	41.10	26	10	25						
11	51.64	45.08	29	10	25						
12	55.63	49.07	35	10	28				35	14	50
13	59.63	53.07	35	10	28	38	12	35	38	14	50
14	63.63	57.07	35	10	28	42	12	35	42	14	50
15	67.64	61.08	46	10	28	46	12	35	46	14	50
16	71.66	65.10	48	10	28	50	14	35	50	16	50
17	75.68	69.12	48	10	28	54	14	35	54	16	50
18	79.70	73.14	58	12	28	58	14	35	58	16	50
19	83.72	77.16	60	12	28	62	14	35	62	16	50
20	87.74	81.18	60	12	28	66	14	35	66	16	50
21	91.77	85.21	65	12	28	70	16	40	70	20	55
22	95.80	89.24	65	12	28	70	16	40	70	20	55
23	99.83	93.27	65	12	28	70	16	40	70	20	55
24	103.86	97.30	70	14	28	75	16	40	75	20	55
25	107.89	101.33	70	14	28	80	16	40	80	20	55
26	111.92	105.36	70	14	28	85	20	40	85	20	55
27	115.96	109.40	70	16	30	85	20	40	85	20	55
28	119.99	113.43	70	16	30	90	20	40	90	20	55
30	128.06	121.50	80	16	30	100	20	40			
32	136.13	129.57	80	16	30						
35	148.24	141.68	90	16	30						
36	152.28	145.72	90	16	30						
38	160.35	153.79	90	16	35						
40	168.43	161.87	90	16	35						

ASA40

Pitch 1/2" x 5/16"
For Roller Chains DIN8188
ISO/R606-ANSI B29.1



SPROCKET

Tooth radius	r ₃	13.5
Radius width	C	1.6
Tooth width	B ₁	7.4
Tooth width	b ₁	7.2
Tooth width	B ₂	21.6
Tooth width	B ₃	36

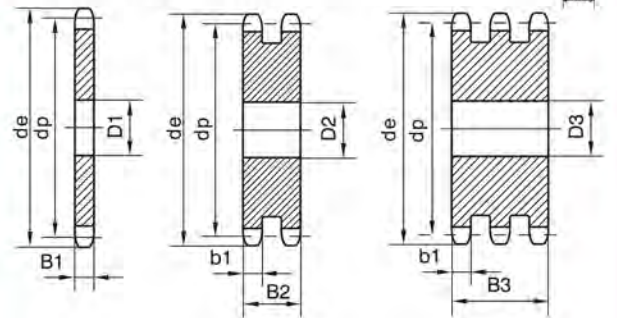
CHAIN

Pitch	12.7
Inner width	7.94
Roller diameter	7.94

Z	d _e	d _p	S _p	D _p	T _p
			D ₁	D ₂	D ₃
30	128.06	121.50			20
32	136.13	129.57		16	
38	160.35	153.79		20	25
40	168.43	161.87		20	
42	176.50	169.94	20		
45	188.62	182.06	20	20	25
48	200.74	194.18	20		
57	237.10	230.54	20	25	25
76	313.88	307.32	25	25	25
95	390.67	384.11		25	

ASA40

Pitch 1/2" x 5/16"
For Roller Chains DIN8188
ISO/R606-ANSI B29.1



PLATEWHEEL

Tooth radius	r ₃	13.5
Radius width	C	1.6
Tooth width	B ₁	7.4
Tooth width	b ₁	7.2
Tooth width	B ₂	21.6
Tooth width	B ₃	36

CHAIN

Pitch	12.7
Inner width	7.94
Roller diameter	7.94

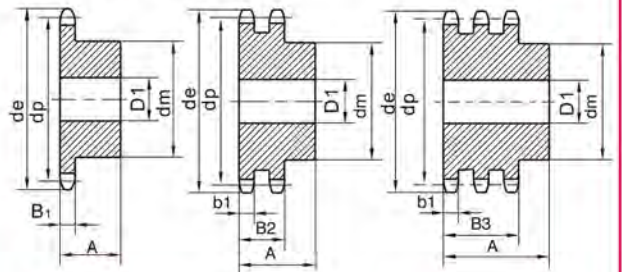
Sprockets & Platewheels

Z	d _e	d _p	Simplex			Doublex			Triplex		
			d _m	D ₁	A	d _m	D ₁	A	d _m	D ₁	A
8	47.0	41.48	25	10	25						
9	52.6	46.42	30	10	25						
10	57.5	51.37	35	10	25						
11	63.0	56.34	37	12	30						
12	68.0	61.34	42	12	30				44	16	55
13	73.0	66.32	47	12	30	49	14	40	49	16	55
14	78.0	71.34	52	12	30	54	14	40	54	16	55
15	83.0	76.36	57	12	30	59	14	40	59	16	55
16	88.0	81.37	60	12	30	64	16	45	64	16	60
17	93.0	86.39	60	12	30	69	16	45	69	16	60
18	98.3	91.42	70	14	30	74	16	45	74	16	60
19	103.3	96.45	70	14	30	79	16	45	79	16	60
20	108.4	101.49	75	14	30	84	16	45	84	16	60
21	113.4	106.52	75	16	30	85	16	45	85	20	60
22	118.0	111.55	80	16	30	90	16	45	90	20	60
23	123.4	116.58	80	16	30	95	16	45	95	20	60
24	128.3	121.62	80	16	30	100	16	45	100	20	60
25	134.0	126.66	80	16	30	105	16	45	105	20	60
26	139.0	131.70	85	20	35				110	20	60
27	144.0	136.75	85	20	35				110	20	60
28	148.7	141.78	90	20	35				115	20	60
29	153.8	146.83	90	20	35						
30	158.8	151.87	90	20	35						
31	163.9	156.92	95	20	35						
32	168.9	161.95	95	20	35						
33	174.5	167.00	95	20	35						
34	179.0	172.05	95	20	35						
35	184.1	177.10	95	20	35						
36	189.1	182.15	100	20	35						
37	194.2	187.20	100	20	35						
38	199.2	192.24	100	20	35						
39	204.2	197.29	100	20	35						
40	209.3	202.34	100	20	35						

ASA50

Pitch 5/8" x3/8"

For Roller Chains DIN8188
ISO/R606-ANSI B29.1



SPROCKET

mm

Tooth radius	r ₃	17
Radius width	C	2
Tooth width	B ₁	9
Tooth width	b ₁	8.8
Tooth width	B ₂	26.9
Tooth width	B ₃	45

CHAIN

mm

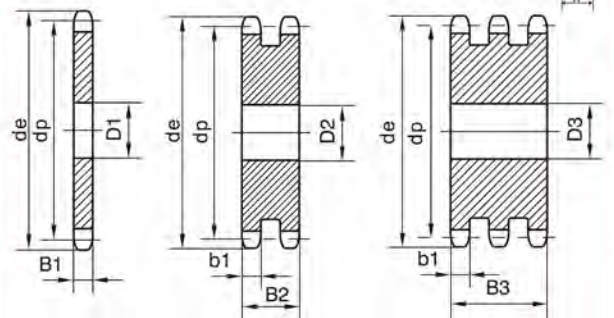
Pitch	15.875
Inner width	9.52
Roller diameter	10.16

Z	d _e	d _p	S _P D _P T _P			Z	d _e	d _p	S _P D _P T _P		
			D ₁	D ₂	D ₃				D ₁	D ₂	D ₃
8	47.0	41.48	10			44	230.0	222.53	20		
9	52.6	46.42	10			45	235.0	227.58	20	20	25
10	57.5	51.37	10			46	240.1	232.63	20		
11	63.0	56.34	10			47	245.1	237.68	20		
12	68.0	61.34	10			48	250.2	242.73	20		
13	73.0	66.32	10			49	255.2	247.78	20		
14	78.0	71.34	10			50	260.3	252.82	20		
15	83.0	76.36	10			51	265.3	257.87	20		
16	88.0	81.37	12			52	270.4	262.92	20		
17	93.0	86.38	12			53	275.4	267.97	20		
18	98.3	91.42	12			54	280.5	273.03	20		
19	103.3	96.45	12			55	285.5	278.08	20		
20	108.4	101.49	12			56	290.6	283.13	25		
21	113.4	106.52	12			57	296.0	288.18	25	25	25
22	118.0	111.55	12			58	300.7	293.23	25		
23	123.5	116.58	12			59	305.7	298.27	25		
24	128.3	121.62	12			60	310.8	303.32	25		
25	134.0	126.66	12			62	321.4	313.43	25		
26	139.0	131.70	16			64	331.5	323.53	25		
27	144.0	136.75	16			65	336.5	328.58	25		
28	148.7	141.78	16			66	341.6	333.63	25		
29	153.8	146.83	16			68	351.7	343.74	25		
30	158.8	151.87	16	20	20	70	361.8	353.84	25		
31	163.9	156.92	16			72	371.9	363.95	25		
32	168.9	161.95	16			75	387.1	379.09	25		
33	174.5	167.00	16			76	392.1	384.16	25	25	30
34	179.0	172.05	16			78	402.2	394.25	25		
35	184.1	177.10	16			80	412.3	404.35	25		
36	189.1	182.15	20			85	437.6	429.62	30		
37	194.2	187.20	20			90	462.8	454.88	30		
38	199.2	192.24	20	20	25	95	488.5	480.14	30	30	
39	204.2	197.29	20			100	513.4	505.39	30		
40	209.3	202.34	20			110	563.9	555.92	30		
41	214.8	207.39	20			114	584.1	576.13	30		
42	219.9	212.44	20			120	614.4	606.45	30		
43	224.9	217.49	20			125	639.7	631.51	30		

ASA50

Pitch 5/8" x3/8"

For Roller Chains DIN8188
ISO/R606-ANSI B29.1



PLATEWHEEL

mm

Tooth radius	r ₃	17
Radius width	C	2
Tooth width	B ₁	9
Tooth width	b ₁	8.8
Tooth width	B ₂	26.9
Tooth width	B ₃	45

CHAIN

mm

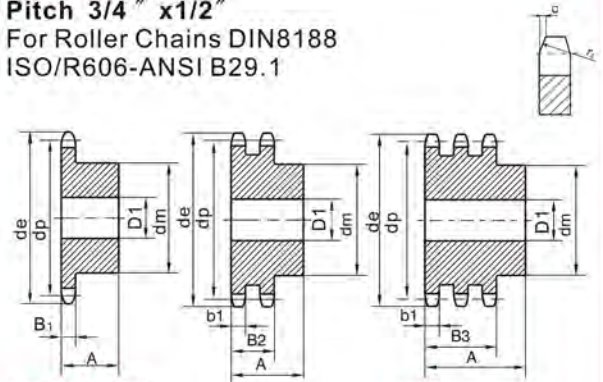
Pitch	15.875
Inner width	9.52
Roller diameter	10.16

Sprockets & Platewheels

Z	d _e	d _p	Simplex			Doublex			Triplex		
			d _m	D ₁	A	d _m	D ₁	A	d _m	D ₁	A
10	71.54	61.64	42	12	30	42	12	45			
11	77.51	67.61	45	12	30	47	16	50			
12	83.49	73.61	45	12	30	53	16	50			
13	89.49	79.59	60	14	35	59	16	50	53	20	70
14	95.50	85.61	60	14	35	65	16	50	59	20	70
15	101.52	91.63	60	14	35	71	16	50	65	20	70
16	107.54	97.65	75	16	35	77	20	50	71	20	70
17	113.56	103.67	75	16	35	83	20	50	77	20	70
18	119.59	109.71	75	16	35	89	20	50	83	20	70
19	125.63	115.75	80	16	35	95	20	50	89	20	70
20	131.67	121.78	80	16	35	100	20	50	95	20	70
21	137.71	127.82	80	16	35	100	20	50	100	20	70
22	143.75	133.86	90	20	40	100	20	50	100	20	70
23	149.79	139.90	90	20	40	110	20	50	100	20	70
24	155.84	145.94	90	20	40	110	20	50	110	20	70
25	161.88	152.00	90	20	40	120	20	50	110	20	70
26	167.93	158.04	90	20	40	120	20	50	120	20	70
27	173.98	164.09	90	20	40	120	20	50	120	20	70
28	180.03	170.13	95	20	40	120	20	50	120	20	70
30	192.14	182.25	95	20	40	120	20	50	120	20	70

ASA 60

Pitch 3/4" x1/2"

 For Roller Chains DIN8188
 ISO/R606-ANSI B29.1

SPROCKET
mm

Tooth radius	r ₃	20
Radius width	C	2.4
Tooth width	B ₁	12.0
Tooth width	b ₁	11.8
Tooth width	B ₂	34.6
Tooth width	B ₃	57.4

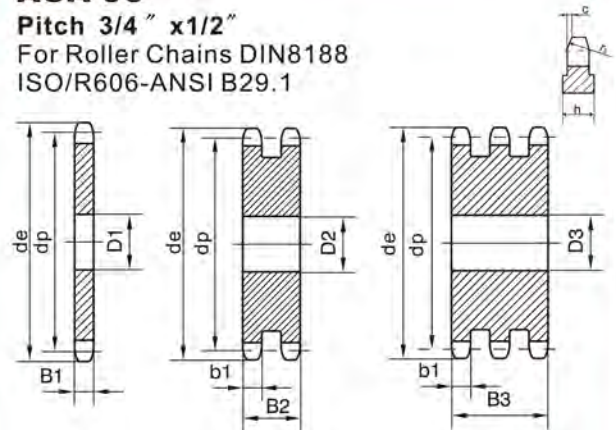
CHAIN
mm

Pitch	19.05
Inner width	12.7
Roller diameter	11.91

Z	d _e	d _p	S _p	D _p	T _p
			D ₁	D ₂	D ₃
30	192.14	182.25			20
32	204.24	194.35			20
38	240.58	230.69	20	25	25
40	252.69	242.80	20	25	25
45	282.98	273.09	25	25	25
48	301.16	291.27	25		
57	355.70	345.81	25	25	30
76	470.87	460.98	30	30	30
95	586.06	576.17	30		

ASA 60

Pitch 3/4" x1/2"

 For Roller Chains DIN8188
 ISO/R606-ANSI B29.1

PLATEWHEEL
mm

Tooth radius	r ₃	20
Radius width	C	2.4
Tooth width	B ₁	12.0
Tooth width	b ₁	11.8
Tooth width	B ₂	34.6
Tooth width	B ₃	57.4

CHAIN
mm

Pitch	19.05
Inner width	12.7
Roller diameter	11.91

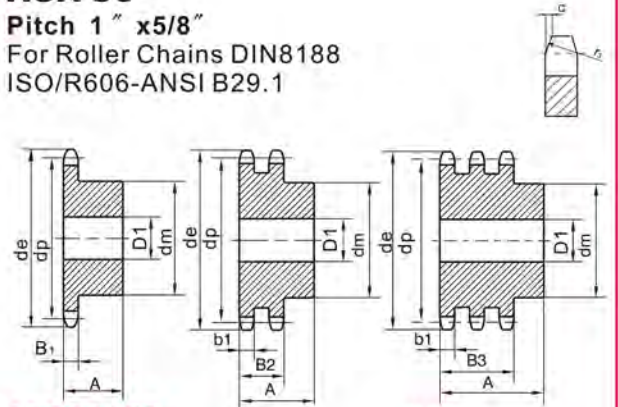
Sprockets & Platewheels

Z	d _e	d _p	Simplex			Doublex			Triplex		
			d _m	D ₁	A	d _m	D ₁	A	d _m	D ₁	A
8	79.49	66.37	42	16	35						
9	87.38	74.27	50	16	35						
10	95.32	82.19	55	16	35						
11	103.28	90.14	61	16	40						
12	111.26	98.14	69	16	40	72	20	70	72	25	100
13	119.26	106.12	78	16	40	78	20	70	78	25	100
14	127.27	114.15	84	16	40	86	20	70	86	25	100
15	135.29	122.17	92	16	40	94	20	70	94	25	100
16	143.32	130.20	100	20	45	102	20	70	102	30	100
17	151.35	138.22	100	20	45	110	20	70	110	30	100
18	159.39	146.28	100	20	45	118	20	70	118	30	100
19	167.44	154.33	100	20	45	126	20	70	126	30	100
20	175.49	162.38	100	20	45	130	20	70	130	30	100
21	183.54	170.43	110	20	50	130	25	70			
22	191.60	178.48	110	20	50						
23	199.66	186.53	110	20	50						
24	207.72	194.59	110	20	50						
25	215.78	202.66	110	20	50						
26	223.84	210.72	120	20	50						
27	231.91	218.79	120	20	50						
28	239.98	226.85	120	20	50						
29	248.05	234.92	120	20	50						
30	256.12	243.00	120	20	50						

ASA 80

Pitch 1" x5/8"

For Roller Chains DIN8188
ISO/R606-ANSI B29.1



SPROCKET

mm

Tooth radius	r ₃	27
Radius width	C	3.2
Tooth width	B ₁	15.0
Tooth width	b ₁	14.7
Tooth width	B ₂	44.0
Tooth width	B ₃	73.3

CHAIN

mm

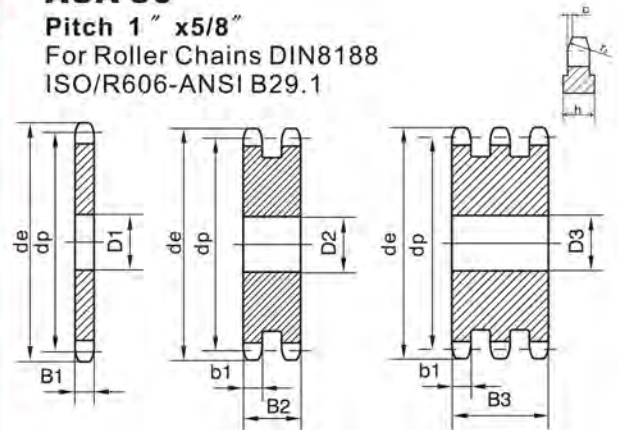
Pitch	25.4
Inner width	15.88
Roller diameter	15.88

Z	d _e	d _p	S _P D _P T _P		
			D ₁	D ₂	D ₃
10	95.32	82.19	15		
11	103.28	90.14	15		
12	111.26	98.14	15		
13	119.26	106.12	15		
14	127.27	114.15	15		
15	135.29	122.17	15		
16	143.32	130.20	19		
17	151.35	138.22	19		
18	159.39	146.28	19		
19	167.44	154.33	19		
20	175.49	162.38	19		
21	183.54	170.43	20		
22	191.60	178.48	20		
23	199.66	186.53	20		
24	207.72	194.59	20		
25	215.78	202.66	20	25	30
26	223.84	210.72	20		
27	231.91	218.79	20		
28	239.98	226.85	20		
30	256.12	243.00	20	25	30
32	272.26	259.13	25		
35	296.48	283.36	25		
38	320.70	307.59	25	25	30
45	377.24	364.12	25	25	30
50	417.64	404.52	25		
57	474.20	461.08	25	25	40
76	627.80	614.64	25	25	40

ASA 80

Pitch 1" x5/8"

For Roller Chains DIN8188
ISO/R606-ANSI B29.1



PLATEWHEEL

mm

Tooth radius	r ₃	27
Radius width	C	3.2
Tooth width	B ₁	15.0
Tooth width	b ₁	14.7
Tooth width	B ₂	44.0
Tooth width	B ₃	73.3

CHAIN

mm

Pitch	25.4
Inner width	15.88
Roller diameter	15.88

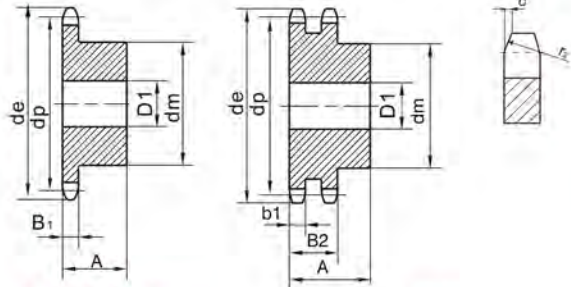
Sprockets & Platewheels

Z	d _b	d _p	Simplex			Doublex		
			d _m	D ₁	A	d _m	D ₁	A
8	98.1	82.96	53	20	40			
9	108.0	92.84	63	20	40			
10	117.9	102.74	70	20	40			
11	127.8	112.68	77	20	45			
12	137.8	122.68	88	20	45	90	20	80
13	147.8	132.65	98	20	45	100	20	80
14	157.8	142.68	108	20	45	110	20	80
15	167.9	152.72	118	20	45	120	20	80
16	177.9	162.75	120	25	50	120	25	80
17	187.9	172.78	120	25	50	120	25	80
18	198.0	182.85	120	25	50			
19	208.1	192.91	120	25	50			
20	218.1	202.98	120	25	50			
21	228.2	213.04	140	25	55			
22	238.3	223.11	140	25	55			
23	248.3	233.17	140	25	55			
24	258.4	243.23	140	25	55			
25	268.5	253.33	140	25	55			

ASA 100

Pitch 1/4" x3/4"

For Roller Chains DIN8188
ISO/R606-ANSI B29.1



SPROCKET

		mm
Tooth radius	r3	33.5
Radius width	C	4.0
Tooth width	B ₁	18.0
Tooth width	b ₁	17.7
Tooth width	B ₂	53.5
Tooth width	B ₃	89.2

CHAIN

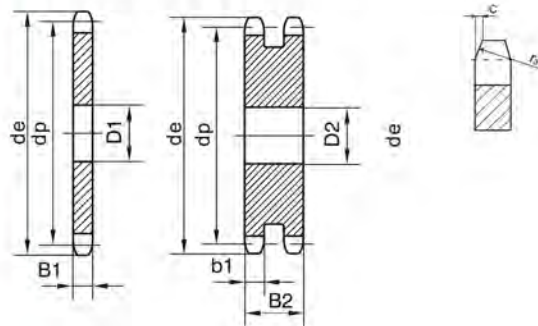
	mm
Pitch	31.75
Inner width	19.05
Roller diameter	19.05

Z	d _b	d _p	S _p D _p T _p		
			D ₁	D ₂	D ₃
8	98.1	82.96	16		
9	108.0	92.84	16		
10	117.9	102.74	16		
11	127.8	112.68	16		
12	137.8	122.68	20		
13	147.8	132.65	20		
14	157.8	142.68	20		
15	167.9	152.72	20		
16	177.9	162.75	25		
17	187.9	172.78	25		
18	198.0	182.85	25		
19	208.1	192.91	25		
20	218.1	202.98	25	25	
21	228.2	213.04	25		
22	238.3	223.11	25		
23	248.3	233.17	25		
24	258.4	243.23	25		
25	268.5	253.33	25	25	
26	278.6	263.40	25		
27	288.6	273.40	25		
28	298.7	283.56	25		
29	308.8	293.65	25		
30	318.9	303.75	25	25	
31	329.0	313.85	25		
32	339.1	323.91	25		
33	349.2	334.01	25		
34	359.3	344.10	25		
35	369.4	354.20	25		
36	379.5	364.30	25		
37	389.5	374.39	25		
38	399.6	384.49	25	30	
39	409.7	394.59	25		
40	419.8	404.68	25		
45	470.3	455.17	30	30	

ASA 100

Pitch 1/4" x3/4"

For Roller Chains DIN8188
ISO/R606-ANSI B29.1



PLATEWHEEL

		mm
Tooth radius	r3	33.5
Radius width	C	4.0
Tooth width	B ₁	18.0
Tooth width	b ₁	17.7
Tooth width	B ₂	53.5
Tooth width	B ₃	89.2

CHAIN

	mm
Pitch	31.75
Inner width	19.05
Roller diameter	19.05

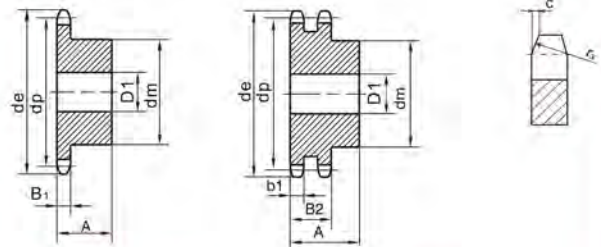
Sprockets & Platewheels

Z	d _b	d _p	Simplex			Doublex		
			d _m	D ₁	A	d _m	D ₁	A
8	119.04	99.55	58	20	45			
9	130.88	111.4	70	20	45			
10	142.77	123.29	80	20	45			
11	154.71	135.21	90	25	50			
12	166.69	147.22	102	25	50	102	25	100
13	178.68	159.18	114	25	50	114	25	100
14	190.7	171.22	128	25	50	128	25	100
15	202.73	183.26	140	25	50	140	25	100

ASA 120

Pitch 1 1/2 x1"

For Roller Chains DIN8188
ISO/R606-ANSI B29.1



SPROCKET

mm

Tooth radius	r ₃	40.5
Radius width	C	4.8
Tooth width	B ₁	24.1
Tooth width	b ₁	23.6
Tooth width	B ₂	69.0

CHAIN

mm

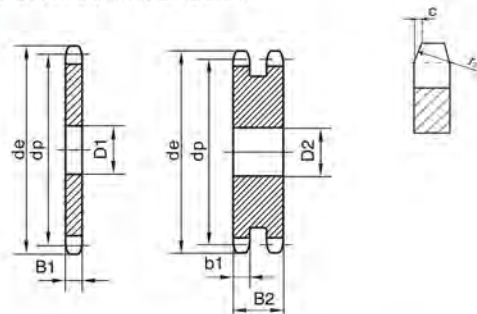
Pitch	38.1
Inner width	25.4
Roller diameter	22.22

Z	d _b	d _p	Simplex		Doublex	
			D ₁	D ₂	D ₁	D ₂
16	214.77	195.29	25			
17	226.83	207.35	25		25	
18	238.89	219.41	25		25	
20	263.03	243.55	25		25	
22	287.2	267.72	25			
25	323.47	303.99	25		25	
30	383.97	364.49	30		30	
32	408.19	388.71	30			
38	480.85	461.37	30		30	
45	565.67	546.19	30		40	
57	711.1	691.62			40	

ASA 120

Pitch 1 1/2 x1"

For Roller Chains DIN8188
ISO/R606-ANSI B29.1



PLATEWHEEL

mm

Tooth radius	r ₃	40.5
Radius width	C	4.8
Tooth width	B ₁	24.1
Tooth width	b ₁	23.6
Tooth width	B ₂	69.0

CHAIN

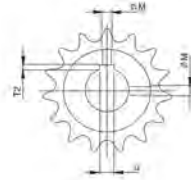
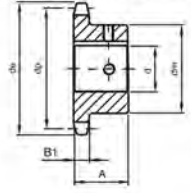
mm

Pitch	38.1
Inner width	25.4
Roller diameter	22.22

Finished Bore Sprockets

z	d _e	d _p	d _m	A	D _i	z	d _e	d _p	d _m	A	D _i	z	d _e	d _p	d _m	A	D _i
13	43.5	39.80	28	25	12	18	58.3	54.85	43	28	14	23	73.7	69.95	52	28	15
					14						15						16
					15						16						18
					16						18						19
					18						19						20
					19						20						22
					20						22						24
14	46.5	42.80	31	25	12	19	61.6	57.87	45	28	15	24	76.7	72.97	54	28	18
					14						16						19
					15						18						20
					16						18						22
					18						19						24
					19						20						25
					20						22						24
					22						24						25
					24						25						28
15	49.5	45.81	34	25	14	20	64.3	60.89	46	28	15	25	79.7	76.00	57	28	18
					15						16						20
					16						18						22
					18						19						24
					19						20						25
					20						22						28
					22						24						30
					24						25						30
16	52.3	48.82	37	28	14	21	67.6	63.91	48	28	15	27	85.7	82.05	60	28	20
					15						16						22
					16						18						24
					18						19						25
					19						20						28
					20						22						30
					22						24						30
					24						25						30
17	55.5	51.83	40	28	14						15	30	94.8	91.12	60	30	20
					15						16						22
					16						18						24
					18						19						25
					19						20						28
					20						22						30
					22						24						30
					24						25						30

3/8" x 7/32" 06B-1
For Roller Chains DIN8187 ISO/R 606



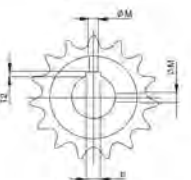
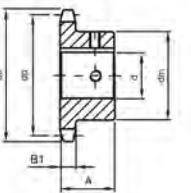
Execution hardened teeth HRC 45/53

SPROCKET mm
Tooth width B1 5.3

CHAIN mm
Pitch 9.525
Inner width 5.72
Roller diameter 6.351

z	d _e	d _p	d _m	A	D _i	z	d _e	d _p	d _m	A	D _i	z	d _e	d _p	d _m	A	D _i
12	53.9	49.07	33	28	12	17	74	69.11	52	28	15	23	98.1	93.27	70	28	20
					14						16						22
					15						18						24
					16						19						25
					18						20						28
					19						22						30
					20						24						32
					22						25						35
					24						28						38
13	57.9	53.06	37	28	12	18	77.8	73.14	56	28	16	24	102.1	97.29	70	28	20
					14						18						22
					15						19						24
					16						20						25
					18						22						28
					19						24						30
					20						25						32
					22						28						35
					24						30						38
					25						35						38
14	61.6	57.07	41	28	14	19	82	77.16	60	28	19	25	105.8	101.33	70	28	20
					15						20						22
					16						22						24
					18						24						25
					19						25						28
					20						28						30
					22						30						32
					24						32						35
					25						35						38
15	65.9	61.09	45	28	14	20	85.8	81.19	64	28	19	27	114	109.4	70	30	22
					15						20						25
					16						22						28
					18						24						30
					19						25						32
					20						28						35
					22						30						38
					24						32						38
					25						35						38
16	69.5	65.1	50	28	15	21	90.1	85.22	68	28	19	30	126.3	121.5	80	30	25
					16						20						28
					18						22						30
					19						24						32
					20						25						35
					22						28						38
					24						30						38
					25						32						38
					28						35						38
					30						35						38

1/2" x 5/16" 08B-1
For Roller Chains Din8187 Iso/r 606



Execution hardened teeth HRC 45/53

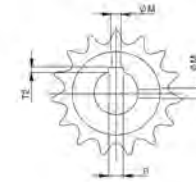
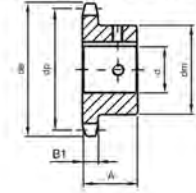
SPROCKET mm
Tooth width B1 7.2

CHAIN mm
Pitch 12.7
Inner width 7.75
Roller diameter 8.51

Finished Bore Sprockets

z	d _e	d _p	d _m	A	D _f	z	d _e	d _p	d _m	A	D _f	z	d _e	d _p	d _m	A	D _f
13	73.2	66.32	47	30	16	18	98.3	91.42	70	30	20	23	123.4	116.58	80	30	20
					19					22					22		
					20					24					24		
					22					25					25		
					24					28					28		
					25					30					30		
					28					32					32		
					30					35					35		
					30					38					38		
14	78.2	71.34	52	30	16	19	103.3	96.45	70	30	20	24	128.5	121.62	80	30	20
					19					22					22		
					20					24					24		
					22					25					25		
					24					28					28		
					25					30					30		
					28					32					32		
					30					35					35		
					30					38					38		
					30					40					40		
					30					42					42		
15	83.2	76.36	57	30	19	20	108.4	101.49	75	30	20	25	133.5	126.66	80	30	22
					20					22					24		
					22					24					25		
					24					28					28		
					25					30					30		
					28					32					32		
					30					35					35		
					30					38					38		
					32					40					40		
					35					42					42		
16	88	81.37	60	30	20	21	113.4	106.52	75	30	20					22	
					22					22					24		
					24					24					25		
					25					28					28		
					28					30					30		
					30					32					32		
					32					35					35		
					35					38					38		
					35					40					40		
					35					42					42		
17	93.2	86.39	60	30	20					24					25		
					22					28					30		
					24					30					32		
					25					32					35		
					28					38					40		
					30					40					42		
					32					42					42		
					35					40					40		

5/8" x 3/8" 10B-1
For Roller Chains DIN8187 ISO/R 606



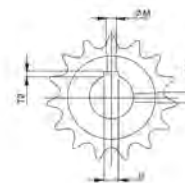
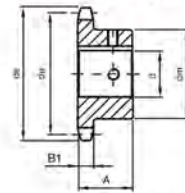
Execution hardened teeth HRC 45/53

SPROCKET mm
Tooth width B₁ 9.1

CHAIN mm
Pitch 15.875
Inner width 9.65
Roller diameter 10.16

z	d _e	d _p	d _m	A	D _f	z	d _e	d _p	d _m	A	D _f	z	d _e	d _p	d _m	A	D _f
12	81.8	73.6	52	35	20	17	111.2	103.67	80	35	22	23	147.4	139.90	90	40	28
					22					25					30		
					24					28					32		
					25					30					35		
					28					32					38		
					30					35					40		
					30					38					42		
					30					40					45		
					30					42					50		
					30					40					40		
					30					42					42		
					30					45					45		
					30					48					48		
					30					50					50		
13	87.1	79.60	58	35	20	18	118.0	109.71	80	35	22	24	154.1	145.94	90	40	28
					22					25					30		
					24					28					32		
					25					30					35		
					28					32					38		
					30					35					40		
					32					38					42		
					35					40					45		
					35					42					48		
					35					45					50		
					35					48					48		
					35					50					50		
14	93.8	85.61	64	35	20	19	123.3	115.75	80	35	25	25	159.5	152.00	90	40	28
					22					28					30		
					24					30					32		
					25					32					35		
					28					35					38		
					30					38					40		
					32					40					42		
					35					42					45		
					35					45					48		
					35					48					48		
					35					50					50		
15	99.2	91.63	70	35	20	20	129.7	121.78	80	35	25					28	
					22					28					30		
					24					30					32		
					25					32					35		
					28					35					38		
					30					38					40		
					32					40					42		
					35					42					45		
					35					45					48		
					35					48					48		
					35					50					50		
16	105.5	97.65	75	35	20	21	135.4	127.82	90	40	28					30	
					22					30					32		
					25					32					35		
					28					35					38		
					30					38					40		
					32					40					42		
					35					42					45		
					38					45					48		
					40					48					48		
					40					50					50		

3/4" x 7/16" 12B-1
For Roller Chains Din8187 Iso/r 606



Execution hardened teeth HRC 45/53

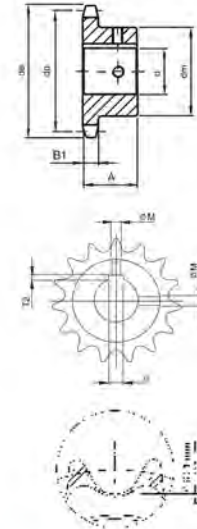
SPROCKET mm
Tooth width B₁ 11.1

CHAIN mm
Pitch 19.05
Inner width 11.68
Roller diameter 12.07

Finished Bore Sprockets

z	d _v	d _p	d _m	A	D ₁	z	d _v	d _p	d _m	A	D ₁	z	d _v	d _p	d _m	A	D ₁
12	109.71	98.14	69	40	25	16	141.0	130.20	100	45	30	20	173.2	162.38	100	45	30
					28						32						32
					30						35						35
					32						38						38
					35						40						40
					38						42						42
					40						45						45
											48						48
											50						50
13	117.2	106.14	78	40	25	17	149.4	138.22	100	45	30	21	181.6	170.43	110	50	30
					28						32						32
					30						35						35
					32						38						38
					35						40						40
					38						42						42
					40						45						45
					42						48						48
					45						50						50
14	125.7	114.15	84	40	25	18	157.0	146.28	100	45	30	23	198.1	186.1	110	50	30
					28						32						32
					30						35						35
					32						38						38
					35						40						40
					38						42						42
					40						45						45
					42						48						48
					45						50						50
					48												
					50												
15	133.3	122.17	92	40	28	19	165.5	154.33	100	45	30	25	214.2	202.66	110	50	30
					30						32						32
					32						35						35
					35						38						38
					38						40						40
					40						42						42
					42						45						45
					45						48						48
					48						50						50
					50												

1" x17.02 16B-1
For Roller Chains DIN8187 ISO/R 606

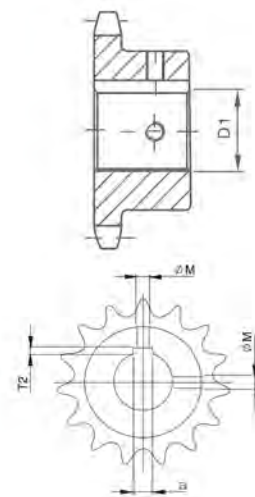


Execution hardened teeth HRC 45/53

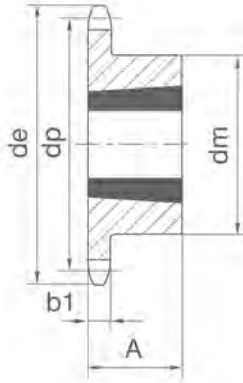
SPROCKET mm
Tooth width B₁ 16.2
CHAIN mm
Pitch 25.4
Inner width 17.02
Roller diameter 15.88

DIN 6885 - JS9

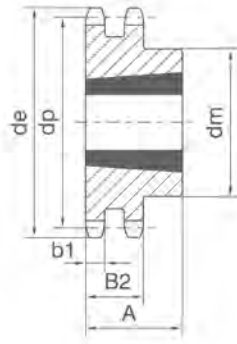
D ₁ Foro	B Larghezza	T2 Profondit	M Fori vite
12 H7 +0.018/-0	4 H9 +0.030/-0	1,8 +0.10/-0	M4
14 H7 +0.018/-0	5 H9 +0.030/-0	2,3 +0.10/-0	M4
15 H7 +0.018/-0	5 H9 +0.030/-0	2,3 +0.10/-0	M4
16 H7 +0.018/-0	5 H9 +0.030/-0	2,3 +0.10/-0	M4
18 H7 +0.018/-0	6 H9 +0.030/-0	2,8 +0.10/-0	M5
19 H7 +0.021/-0	6 H9 +0.030/-0	2,8 +0.10/-0	M5
20 H7 +0.021/-0	6 H9 +0.030/-0	2,8 +0.10/-0	M5
22 H7 +0.021/-0	6 H9 +0.030/-0	2,8 +0.10/-0	M5
24 H7 +0.021/-0	8 H9 +0.036/-0	3,3 +0.20/-0	M6
25 H7 +0.021/-0	8 H9 +0.036/-0	3,3 +0.20/-0	M6
28 H7 +0.021/-0	8 H9 +0.036/-0	3,3 +0.20/-0	M6
30 H7 +0.021/-0	8 H9 +0.036/-0	3,3 +0.20/-0	M6
32 H7 +0.025/-0	10 H9 +0.036/-0	3,3 +0.20/-0	M8
35 H7 +0.025/-0	10 H9 +0.036/-0	3,3 +0.20/-0	M8
38 H7 +0.025/-0	10 H9 +0.036/-0	3,3 +0.20/-0	M8
40 H7 +0.025/-0	12 H9 +0.043/-0	3,3 +0.20/-0	M10
42 H7 +0.025/-0	12 H9 +0.043/-0	3,3 +0.20/-0	M10
45 H7 +0.025/-0	14 H9 +0.043/-0	3,8 +0.20/-0	M12
48 H7 +0.025/-0	14 H9 +0.043/-0	3,8 +0.20/-0	M12
50 H7 +0.025/-0	14 H9 +0.043/-0	3,8 +0.20/-0	M12



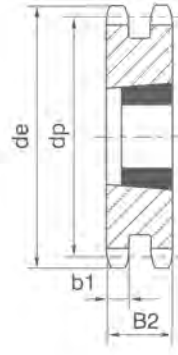
Taper Bore Sprockets
FOR ROLLER CHAINS DIN8187-ISO/R606



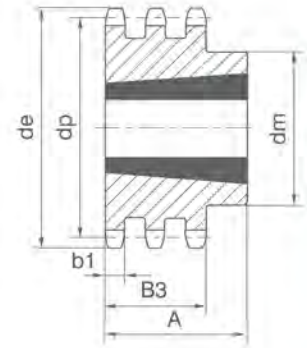
TYPE 1



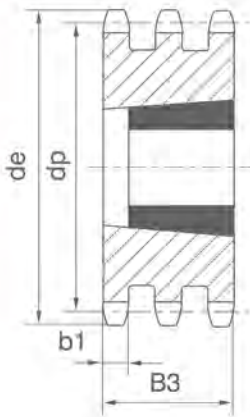
TYPE 2



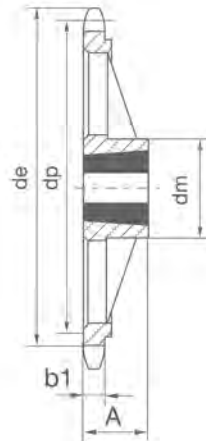
TYPE 3



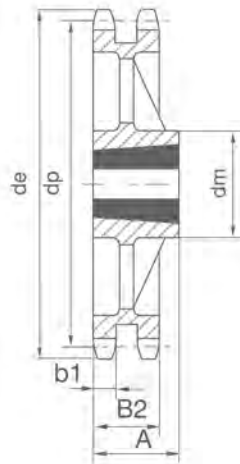
TYPE 4



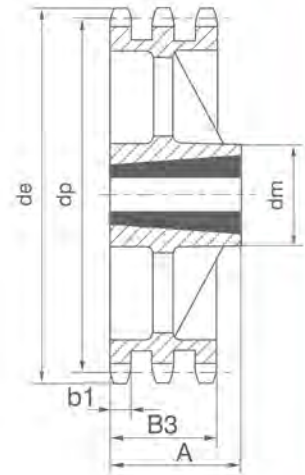
TYPE 5



TYPE 6



TYPE 7



TYPE 8

Taper Bore Sprockets

FOR ROLLER CHAINS DIN8187-ISO/R606

06B 3/8"x7/32"

Z			Simplex				Doublex				Triplex				SPROCKET		mm
	de	dp	dm	A	BUSH	TYPE	dm	A	BUSH	TYPE	dm	A	BUSH	TYPE	Tooth radius	r ₃	10
17	55.5	51.83	45	22	1008	1	43	22	1008	2	—	25.6	1008	5	Radius width	C	1.0
18	58.6	54.85	45	22	1008	1	43	22	1008	2	—	25.6	1008	5	Tooth width	B ₁	5.3
19	61.6	57.86	45	22	1008	1	46	22	1008	2	—	25.6	1008	5	Tooth width	b ₁	5.2
20	64.6	60.89	46	22	1008	1	48	22	1008	2	—	25.6	1008	5	Tooth width	B ₂	15.4
21	67.6	63.90	46	22	1008	1	49	22	1008	2	—	25.6	1008	5	Tooth width	B ₃	25.6
22	70.6	66.93	55	22	1108	1	52	22	1108	2	—	25.6	1210	5	CHAIN		mm
23	73.7	69.95	63	25	1210	1	59	25	1210	2	—	25.6	1210	5	Pitch		9.525
24	76.7	72.97	63	25	1210	1	61	25	1210	2	—	25.6	1210	5	Inner width		5.72
25	79.7	75.99	63	25	1210	1	64	25	1210	2	—	25.6	1210	5	Roller diameter		6.35
26	82.7	79.02	63	25	1210	1	65	25	1210	2	—	25.6	1210	5			
27	85.7	82.04	63	25	1210	1	70	25	1210	2	—	25.6	1210	5			
28	88.8	85.07	63	25	1210	1	70	25	1210	2	—	25.6	1210	5			
30	94.8	91.12	63	25	1210	1	75	25	1210	2	79	38	1615	4			
38	119.0	115.34	70	25	1210	1	80	25	1610	2	90	38	1615	4			
45	141.1	136.54	70	25	1210	1	80	25	1610	2							
57	177.5	172.91	83	25	1210	6	92	25	1610	7							
76	235.1	230.49	83	25	1210	6	92	25	1610	7							
95	292.7	288.08	83	25	1210	6	92	25	1610	7							
114	350.3	345.68	83	25	1210	6	95	38	1615	7							

08B 1/2"x5/16"

Z			Simplex				Doublex				Triplex				SPROCKET		mm
	de	dp	dm	A	BUSH	TYPE	dm	A	BUSH	TYPE	dm	A	BUSH	TYPE	Tooth radius	r ₃	13
15	66.5	61.80	46	22	1008	1	46	22	1008	2	—	34.9	1008	5	Radius width	C	1.3
16	69.9	65.10	50	22	1108	1	50	22	1108	2	—	34.9	1210	5	Sprocket tooth width	B ₁	7.2
17	74.5	69.11	60	25	1210	1	56	25	1210	2	—	34.9	1210	5	Sprocket tooth width	b ₁	7
18	78.0	73.14	60	25	1210	1	60	25	1210	2	—	34.9	1210	5	Sprocket tooth width	B ₂	21
19	82.5	77.15	63	25	1210	1	62	25	1210	2	62	38	1215	4	Sprocket tooth width	B ₃	34.9
20	86.0	81.19	71	25	1610	1	66	25	1610	2	—	34.9	1210	5			
21	90.6	85.21	71	25	1610	1	71	25	1610	2	70	38	1615	4			
22	94.1	89.24	71	25	1610	1	76	25	1610	2	—	34.9	1210	5			
23	98.7	93.26	76	25	1610	1	79	25	1610	2	70	38	1615	4			
24	102.1	97.29	76	25	1610	1	84	25	1610	2	—	34.9	1210	5	CHAIN		mm
25	106.7	101.32	76	25	1610	1	87	32	2012	2	—	34.9	2012	5	Pitch		12.7
26	110.2	105.36	76	25	1610	1	87	32	2012	2	—	34.9	2012	5	Inner width		7.75
27	114.8	109.40	76	25	1610	1	87	32	2012	2	—	34.9	2012	5	Roller -Ø		8.51
28	118.3	113.42	90	32	2012	1	87	32	2012	2	—	34.9	2012	5			
30	126.9	121.49	90	32	2012	1	87	32	2012	2	—	34.9	2012	5			
38	159.2	153.79	90	32	2012	1	102	32	2012	2	—	34.9	2012	5			
45	188.6	182.07	102	32	2012	1	100	32	2012	7							
57	237.1	230.54	111	32	2012	6	111	32	2012	7							
76	313.9	307.33	111	32	2012	6	111	32	2012	7							
95	390.7	384.11	111	32	2012	6	111	32	2012	7							
114	467.4	460.90	120	45	2517	6	120	45	2517	7							

Taper Bore Sprockets

FOR ROLLER CHAINS DIN8187-ISO/R606

10B 5/8"x3/8"

Z	Simplex						Doublex				Triplex				SPROCKET		mm
	de	dp	dm	A	BUSH	TYPE	dm	A	BUSH	TYPE	dm	A	BUSH	TYPE	Tooth radius	r3	
13	73.2	66.32	47	22	1008	1									16		
14	78.2	71.34	52	22	1108	1								1.6			
15	83.2	76.36	60	25	1210	1	—	25.5	1210	3	—	42.1	1215	5			
16	88.3	81.37	63	25	1210	1	—	25.5	1610	3	—						
17	93.3	86.39	71	25	1610	1	—	25.5	1610	3	—	42.1	1215	5			
18	98.3	91.42	75	25	1610	1	—	25.5	1610	3	—						
19	103.3	96.45	75	25	1610	1	—	25.5	1610	3	—	42.1	1615	5			
20	108.4	101.49	75	25	1610	1	—	25.5	1610	3	—						
21	113.4	106.52	76	25	1610	1	—	25.5	1610	3	—	42.1	1615	5			
22	118.4	111.55	76	25	1610	1	—	25.5	1610	3	—						
23	123.5	116.58	76	25	1610	1	—	25.5	1610	3	—	42.1	2012	5			
24	128.5	121.62	90	32	2012	1	90	32	2012	2							
25	133.6	126.66	90	32	2012	1	90	32	2012	2	105	45	2517	4			
26	138.6	131.70	90	32	2012	1	90	32	2012	2							
27	143.6	136.74	90	32	2012	1	90	32	2012	2	110	45	2517	4			
28	148.7	141.78	90	32	2012	1	90	32	2012	2							
30	158.8	151.87	90	32	2012	1	90	32	2012	2	120	45	2517	4			
38	199.1	192.24	102	32	2012	1	108	45	2517	2							
45	236.0	227.58	100	32	2012	6	120	45	2517	7							
57	296.6	288.18	111	32	2012	6											
76	392.5	384.16	111	32	2012	6											
95	488.5	480.14	120	45	2517	6											
114	584.5	576.13	120	45	2517	6											

SPROCKET		mm
Tooth radius	r3	16
Radius width	C	1.6
Tooth width	B1	9.1
Tooth width	b1	9.0
Tooth width	B2	25.5
Tooth width	B3	42.1
CHAIN		mm
Pitch		15.875
Inner width		9.65
Roller diameter		10.16

12B 3/4"x7/16"

Z	Simplex						Doublex				Triplex				SPROCKET		mm
	de	dp	dm	A	BUSH	TYPE	dm	A	BUSH	TYPE	dm	A	BUSH	TYPE	Tooth radius	r3	
13	87.8	79.59	63	25	1210	1									19		
14	93.8	85.61	71	25	1610	1									2.0		
15	99.8	91.63	71	25	1610	1	71	38	1615	2	—	49.8	1615	5			
16	105.8	97.65	75	25	1610	1	71	38	1615	2	—						
17	111.9	103.67	76	25	1610	1	80	38	1615	2	—	49.8	1615	5			
18	117.9	109.71	90	32	2012	1	90	32	2012	2	—						
19	123.9	115.75	90	32	2012	1	95	32	2012	2	—	49.8	2012	5			
20	130.0	121.78	90	32	2012	1	108	45	2517	2	—						
21	136.0	127.82	102	45	2517	1	108	45	2517	2	—	49.8	2517	5			
22	142.0	133.86	108	45	2517	1	108	45	2517	2	—						
23	148.1	139.90	108	45	2517	1	108	45	2517	2	—	49.8	2517	5			
24	154.1	145.94	108	45	2517	1	108	45	2517	2	—						
25	160.2	152.00	108	45	2517	1	108	45	2517	2	—	49.8	2517	5			
26	166.2	158.04	108	45	2517	1	108	45	2517	2	—						
27	172.3	164.09	108	45	2517	1	108	45	2517	2	140	51	3020	4			
28	178.3	170.13	108	45	2517	1	108	45	2517	2							
30	190.4	182.25	108	45	2517	1	108	45	2517	2	140	51	3020	4			
38	238.9	230.69	108	45	2517	1	140	51	3020	2	140	51	3020	4			
45	283.2	273.10	120	45	2517	6	150	51	3020	7							
57	355.9	345.81	124	45	2517	6	160	51	3020	7	160	51	3020	8			
76	471.1	460.99	124	45	2517	6	160	51	3020	7	160	51	3020	8			
95	586.2	576.17	124	45	2517	6	160	51	3020	7	160	76	3030	8			
114	701.4	691.36	124	64	2525	6	160	76	3030	7	160	76	3030	8			

SPROCKET		mm
Tooth radius	r3	19
Radius width	C	2.0
Tooth width	B1	11.1
Tooth width	b1	10.8
Tooth width	B2	30.3
Tooth width	B3	49.8
CHAIN		mm
Pitch		19.05
Inner width		11.68
Roller diameter		12.07

Taper Bore Sprockets

FOR ROLLER CHAINS DIN8187-ISO/R606

16B 1"x17.02mm

Z	de	dp	Simplex				Doublex				Triplex				SPROCKET		mm
			dm	A	BUSH	TYPE	dm	A	BUSH	TYPE	dm	A	BUSH	TYPE	Tooth radius	r ₃	
13	117.7	106.13	73	28	1615	1										26	
14	125.7	114.15	75	38	1615	1										2.5	
15	133.7	122.17	76	38	1615	1										16.2	
16	141.8	130.20	90	32	2012	1		47.7	2012	3						15.8	
17	149.8	138.22	90	32	2012	1		47.7	2517	3						47.7	
												79.6	2517	5		79.6	
18	157.8	146.28	108	45	2517	1		47.7	2517	3							
19	165.9	154.33	108	45	2517	1		47.7	2517	3		79.6	3030	5			
20	173.9	162.38	110	45	2517	1		47.7	2517	3							
21	182.0	170.43	110	45	2517	1	140	51	3020	3		79.6	3030	5		25.4	
22	190.1	178.48	110	45	2517	1	140	51	3020	2						17.02	
																15.88	
23	198.1	186.53	110	45	2517	1	140	51	3020	2	159	89	3535	4			
24	206.2	194.59	110	45	2517	1	140	51	3020	2							
25	214.2	202.66	110	45	2517	1	140	51	3020	2	175	89	3535	4			
26	222.3	210.72	110	45	2517	1	140	51	3020	2							
27	230.4	218.79	110	45	2517	1	140	51	3020	2	175	89	3535	4			
28	238.4	226.85	110	45	2517	1	140	51	3020	2							
30	254.6	243.00	120	45	2517	1	140	76	3030	2	175	89	3535	4			
38	319.2	307.59	160	51	3020	6	160	76	3030	7	178	89	3535	8			
45	377.9	364.13	160	51	3020	6	160	76	3030	7	215	102	4040	8			
57	474.9	416.07	160	51	3020	6	175	89	3535	7	215	102	4040	8			
76	628.4	614.65	160	51	3020	6	178	89	3535	7	215	102	4040	8			
95	782.0	768.22	160	51	3020	6	215	102	4040	7	220	102	4040	8			
114	935.6	921.81	160	76	3030	6	220	102	4040	7	260	114	4545	8			

20B 1 1/4"x3/4"

Z	de	dp	Simplex				SPROCKET		mm
			dm	A	BUSH	TYPE	Tooth radius	r ₃	
13	147.5	132.65	90	32	2012	1		33	
15	167.7	152.72	110	45	2517	1		3.5	
17	187.7	172.78	110	45	2517	1		18.5	
19	207.8	192.91	110	45	2517	1		18.2	
21	228.0	213.04	120	45	2517	1		54.6	
								91	
23	248.2	233.17	120	45	2517	1			
25	268.4	253.33	120	45	2517	1			
27	288.5	273.48	150	51	3020	1			
30	318.7	303.75	160	51	3020	1			
38	399.4	384.49	160	51	3020	6			
45	471.1	455.17	160	51	3020	6			
57	592.3	576.36	160	51	3020	6			
76	784.3	768.32	160	51	3020	6			

SPROCKET

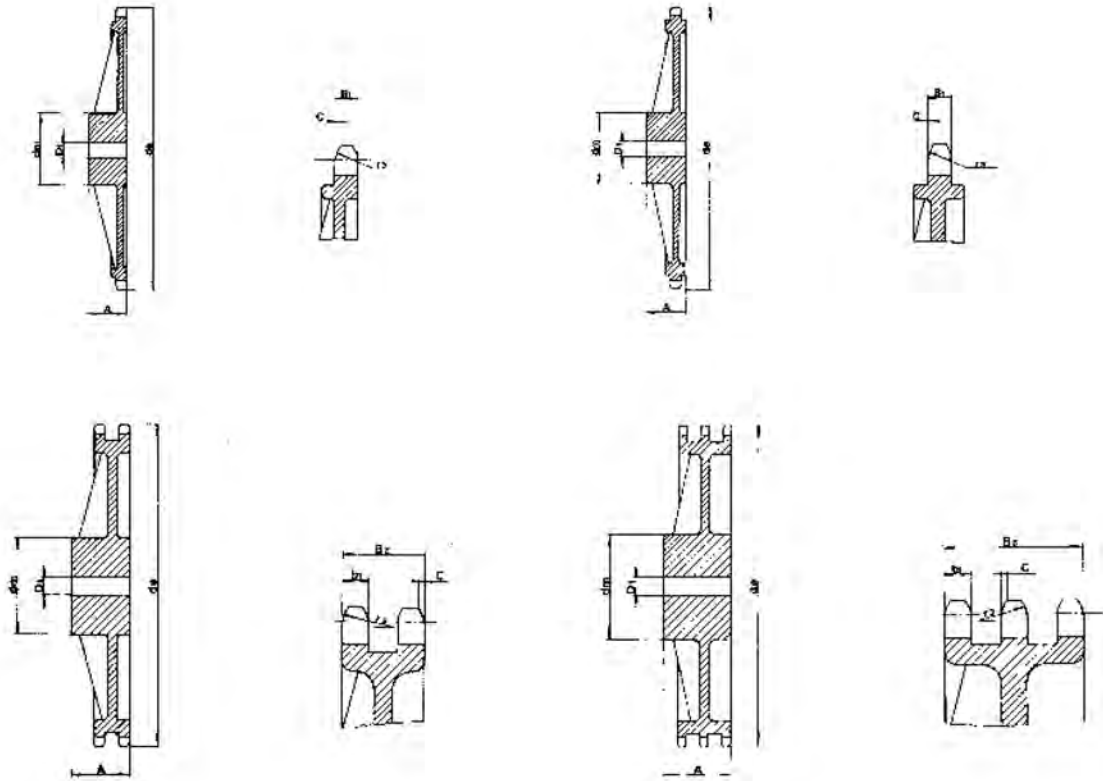
Tooth radius	r ₃	33
Radius width	C	3.5
Tooth width	B ₁	18.5
Tooth width	b ₁	18.2
Tooth width	B ₂	54.6
Tooth width	B ₃	91

CHAIN

Pitch		31.75
Inner width		19.56
Roller diameter		19.05

Cast Iron Sprockets

FOR ROLLER CHAINS DIN8187-ISO/R606



06B 3/8" X 7/32"

z	d _a	d _p	Simplex			Doublex			Triplex		
			d _m	D ₁	A	d _m	D ₁	A	d _m	D ₁	A
38	119.5	115.35	70	19	32	80	19	40	90	23	56
45	140.7	136.55	70	19	32	80	19	40	90	23	56
57	176.9	172.91	70	19	32	80	19	40	90	23	56
76	234.9	230.49	70	19	32	80	19	40	100	23	56
95	292.5	288.08	80	19	40	90	19	45	100	23	56
114	349.6	345.68	80	19	40	90	19	45	100	23	56

SPROCKET		mm
Tooth radius	r ₃	10
Radius width	C	1.0
Tooth width	B ₁	5.3
Tooth width	b ₁	5.2
Tooth width	B ₂	15.4
Tooth width	B ₃	25.6

CHAIN		mm
Pitch		9.525
Inner width		5.72
Roller diameter		6.35

08B 1/2" X 5/16"

z	d _a	d _p	Simplex			Doublex			Triplex		
			d _m	D ₁	A	d _m	D ₁	A	d _m	D ₁	A
38	158.6	153.80	70	19	40	90	23	50	100	23	60
45	188	182.07	70	19	40	90	23	50	100	23	60
57	236.4	230.54	70	19	40	90	23	50	100	23	60
76	313.3	307.33	80	23	40	100	23	56	100	23	60
95	390.1	384.11	80	23	45	100	23	56	120	23	67
114	466.9	460.90	90	23	45	100	23	63	120	23	67

SPROCKET		mm
Tooth radius	r ₃	13
Radius width	C	1.3
Sprocket tooth width	B ₁	7.2
Sprocket tooth width	b ₁	7
Sprocket tooth width	B ₂	21
Sprocket tooth width	B ₃	34.9

CHAIN		mm
Pitch		12.7
Inner width		7.75
Roller -Ø		8.51

Cast Iron Sprockets

FOR ROLLER CHAINS DIN8187-ISO/R606

10B 5/8" X3/8"

z	d _e	d _p	Simplex			Doublex			Triplex		
			d _m	D ₁	A	d _m	D ₁	A	d _m	D ₁	A
38	199.2	192.24	80	19	40	100	29	50	100	31	60
45	235	227.58	80	19	40	100	29	50	100	31	60
57	296	288.18	90	23	45	100	29	56	100	31	63
*76	392.1	384.16	90	23	50	100	29	63	110	34	67
*95	488.5	480.14	100	23	56	110	29	63	125	34	70
*114	584.1	576.13	100	23	56	125	29	70	125	34	80

SPROCKET		mm
Tooth radius	r ₃	16
Radius width	C	1.6
Tooth width	B ₁	9.1
Tooth width	b ₁	9.0
Tooth width	B ₂	25.5
Tooth width	B ₃	42.1

CHAIN		mm
Pitch		15.875
Inner width		9.65
Roller diameter		10.16

12B 3/4" X7/16"

z	d _e	d _p	Simplex			Doublex			Triplex		
			d _m	D ₁	A	d _m	D ₁	A	d _m	D ₁	A
38	239	230.69	100	23	56	110	29	63	140	31	70
45	282.5	273.1	100	23	56	110	29	63	140	31	70
57	354	345.81	100	29	56	120	29	63	140	39	70
76	469.9	460.99	100	29	56	135	29	63	160	39	75
95	585.1	576.17	100	29	65	135	29	70	170	39	82
114	700.6	691.36	100	29	65	135	44	70	170	49	82

SPROCKET		mm
Tooth radius	r ₃	19
Radius width	C	2.0
Tooth width	B ₁	11.1
Tooth width	b ₁	10.8
Tooth width	B ₂	30.3
Tooth width	B ₃	49.8

CHAIN		mm
Pitch		19.05
Inner width		11.68
Roller diameter		12.07

16B 1" X17.02mm

z	d _e	d _p	Simplex			Doublex			Triplex		
			d _m	D ₁	A	d _m	D ₁	A	d _m	D ₁	A
30	254.0	243.00	110	29	65	125	39	75	145	39	90
38	320.0	307.59	110	29	65	140	39	75	160	44	100
45	377.0	364.13	125	29	70	148	39	75	160	44	100
57	474.0	461.08	125	34	70	160	39	90	165	44	100
76	627.0	614.65	140	34	80	175	39	95	200	44	110
95	781.0	768.22	140	39	80	175	44	95	200	49	110
114	933.0	921.81	150	39	80	175	44	95	200	49	115

SPROCKET		mm
Tooth radius	r ₃	26
Radius width	C	2.5
Tooth width	B ₁	16.2
Tooth width	b ₁	15.8
Tooth width	B ₂	47.7
Tooth width	B ₃	79.6

CHAIN		mm
Pitch		25.4
Inner width		17.02
Roller diameter		15.88

Cast Iron Sprockets

FOR ROLLER CHAINS DIN8187-ISO/R606

20B 1 1/4" X3/4"

z	d _b	d _p	Simplex			Doublex			Triplex		
			d _m	D ₁	A	d _m	D ₁	A	d _m	D ₁	A
30	318.9	303.75	115	34	70	130	39	80			
38	399.6	384.49	125	34	70	140	44	90	170	55	110
45	470.3	455.17	125	34	70	140	44	90			
57	591.5	576.36	135	39	80	160	49	100	180	62	125
76	783.5	768.32	140	49	90	180	55	100			

SPROCKET mm

Tooth radius	r ₃	33
Radius width	C	3.5
Tooth width	B ₁	18.5
Tooth width	b ₁	18.2
Tooth width	B ₂	54.6
Tooth width	B ₃	91

CHAIN mm

Pitch	31.75
Inner width	19.56
Roller diameter	19.05

24B 1 1/2" X1"

z	d _b	d _p	Simplex			Doublex			Triplex		
			d _m	D ₁	A	d _m	D ₁	A	d _m	D ₁	A
30	379.5	364.5	130	39	85						
38	476.2	461.39	140	44	90	180	44	100	200	62	150
45	581.2	546.2	140	44	90						
57	706.5	691.63	160	44	100	200	54	110	200	62	150
76	936.9	921.98	170	44	100	220	54	120	250	69	150

SPROCKET mm

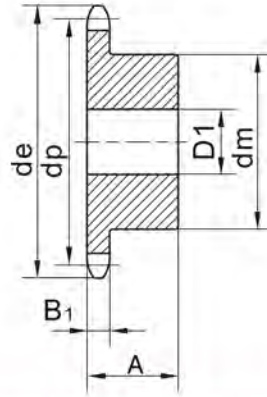
Tooth radius	r ₃	38
Radius width	C	4.0
Tooth width	B ₁	24.1
Tooth width	b ₁	23.6
Tooth width	B ₂	72
Tooth width	B ₃	120.3

CHAIN mm

Pitch	38.1
Inner width	25.4
Roller diameter	25.4

Stainless Steel Sprockets

For roller chains DIN 8187-ISO/R 606

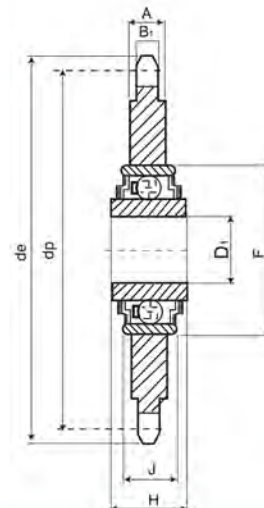


PITCH	Z	12	13	15	16	17	18	19	20	21	23	25	30
	3/8" x7/32"	de	-	43.00	49.30	52.30	55.30	58.30	61.30	64.30	68.00	73.50	80.00
	dp	-	39.79	45.81	48.82	51.83	54.85	57.87	60.89	63.91	69.65	76.00	91.12
	dm	-	28.00	34.00	37.00	40.00	43.00	45.00	46.00	48.00	52.00	57.00	60.00
	D1	-	10.00	10.00	10.00	10.00	10.00	10.00	10.00	12.00	12.00	12.00	12.00
	A	-	25.00	25.00	28.00	28.00	28.00	28.00	28.00	28.00	28.00	28.00	30.00
1/2" x5/16"	de	53.00	57.90	65.90	69.90	74.00	78.00	82.00	86.00	90.01	98.01	106.2	126.30
	dp	49.07	53.06	61.09	65.10	69.11	73.14	77.16	81.19	85.22	93.27	101.33	121.50
	dm	33.00	37.00	45.00	50.00	52.00	56.00	60.00	64.00	68.00	70.00	70.00	80.00
	D1	10.00	10.00	10.00	12.00	12.00	12.00	12.00	12.00	14.00	14.00	14.00	16.00
	A	28.00	28.00	28.00	28.00	28.00	28.00	28.00	28.00	28.00	28.00	28.00	30.00
5/8" x3/8"	de	-	73.00	83.00	88.00	93.00	98.30	103.30	108.40	113.40	123.40	134.00	158.80
	dp	-	66.32	76.36	81.37	86.39	91.42	96.45	101.49	106.52	116.58	126.66	151.87
	dm	-	47.00	57.00	60.00	60.00	70.00	70.00	75.00	80.00	80.00	80.00	90.00
	D1	-	12.00	12.00	12.00	12.00	12.00	14.00	14.00	16.00	16.00	16.00	20.00
	A	-	30.00	30.00	30.00	30.00	30.00	30.00	30.00	30.00	30.00	30.00	35.00
3/4" x7/16"	de	-	87.50	99.80	105.50	111.50	118.00	124.20	129.70	136.00	149.00	160.00	-
	dp	-	79.59	91.63	97.65	103.67	109.71	115.75	121.78	127.82	139.90	152.00	-
	dm	-	58.00	70.00	75.00	80.00	80.00	80.00	80.00	90.00	90.00	90.00	-
	D1	-	16.00	16.00	16.00	16.00	16.00	16.00	16.00	20.00	20.00	20.00	-
	A	-	35.00	35.00	35.00	35.00	35.00	35.00	35.00	40.00	40.00	40.00	-
1" x17.02	de	-	117.0 0	133.00	141.00	149.00	157.00	165.20	163.00	181.20	-	-	-
	dp	-	106.1 2	122.17	130.20	138.22	146.28	154.33	162.38	170.43	-	-	-
	dm	-	78.00	92.00	100.00	100.00	100.00	100.00	100.00	110.00	-	-	-
	D1	-	16.00	16.00	19.00	20.00	20.00	20.00	20.00	20.00	-	-	-
	A	-	40.00	40.00	45.00	45.00	45.00	45.00	45.00	50.00	-	-	-

Idler Sprockets

Ball bearing idler sprockets

Z	PITCH	de	dp	A	D1	F	B	H
23	8x3	62.15	58.75	2.8	16 ^{+0.26} / _{+0.13}	40	12	18.3
21	3/8" x7/32"	68.00	63.90	5.3	16 ^{+0.26} / _{+0.13}	40	12	18.3
22	3/8" x7/32"	71.00	66.93	5.3	16 ^{+0.26} / _{+0.13}	40	12	18.3
18	1/2" x1/8"	78.90	73.14	3.0	16 ^{+0.26} / _{+0.13}	40	12	18.3
15	1/2" x3/16"	66.80	61.09	4.5	16 ^{+0.26} / _{+0.13}	40	12	18.3
16	1/2" x3/16"	70.90	65.10	4.5	16 ^{+0.26} / _{+0.13}	40	12	18.3
18	1/2" x3/16"	78.90	73.13	4.5	16 ^{+0.26} / _{+0.13}	40	12	18.3
14	1/2" x 5/16"	61.80	57.07	7.2	16 ^{+0.26} / _{+0.13}	40	12	18.3
16	1/2" x 5/16"	69.50	65.10	7.2	16 ^{+0.26} / _{+0.13}	40	12	18.3
18	1/2" x 5/16"	77.80	73.14	7.2	16 ^{+0.26} / _{+0.13}	40	12	18.3
14	5/8" x3/8"	78.00	71.34	9.1	16 ^{+0.26} / _{+0.13}	40	12	18.3
15	5/8" x3/8"	83.00	76.36	9.1	16 ^{+0.26} / _{+0.13}	40	12	18.3
17	5/8" x3/8"	93.00	86.39	9.1	16 ^{+0.26} / _{+0.13}	40	12	18.3
13	3/4" x7/16"	87.50	79.59	11.1	16 ^{+0.26} / _{+0.13}	40	12	18.3
15	3/4" x7/16"	99.80	91.63	11.1	16 ^{+0.26} / _{+0.13}	40	12	18.3
12	1" x17.02	109.00	98.14	16.2	20 ^{+0.1} / _{+0.1}	47	14	17.7
13	1" 1/4 x3/4	147.80	132.65	18.5	25 ^{+0.1} / _{+0.1}	52	15	21.0



Welded-on Sprockets

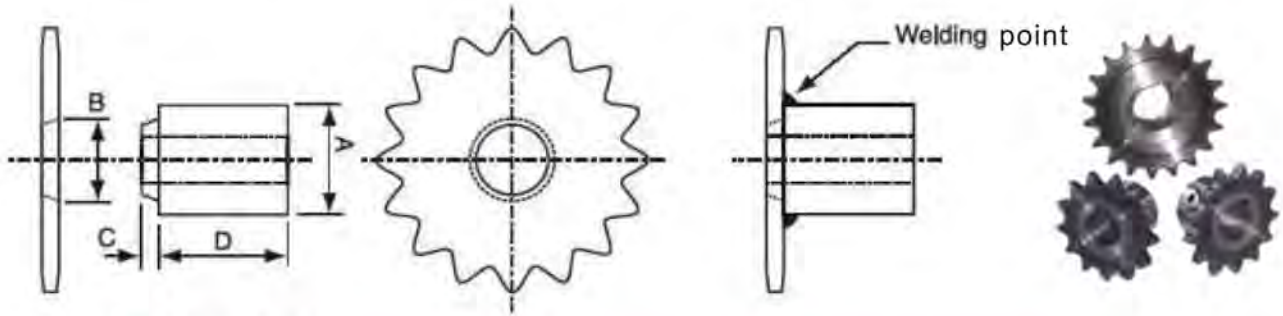
For roller chains DIN 8187-ISO/R 606

*24 Standard bore sizes to match 135 sprockets.

*Sprockets with standard execution hardened teeth for maximum service life.

*Reduce downtime and increase productivity with perfectly welded on sprockets.

*Swell trained skilled workers and no more waiting to make production going again.



Finish Bore Hubs

	VT Series Hub		WT Series Hub		XT Series Hub	
A	34mm	1-5/16 inch	44mm	1-3/4 inch	62mm	2-7/16 inch
B	30mm	1-3/16 inch	41mm	1-5/8 inch	57mm	2-1/4 inch
C	12mm	1/2 inch	12mm	1/2 inch	12mm	1/2 inch
D	30mm	1-3/16 inch	37mm	1-7/16 inch	37mm	1-7/16 inch
Stock Bore sizes - Imperial / Metric						
Inch	mm	Inch	mm	Inch	mm	
1/2	12	1/2	14	1/2	14	
5/8	14	5/8	15	5/8	15	
3/4	15	3/4	16	3/4	16	
7/8	19	7/8	18	7/8	18	
	20	1	19	1 1/8	19	
		1 1/8	20	1 1/4	20	
		1 1/4	24	1 3/8	24	
				25	1 1/2	25
				28	1 5/8	28
				30	1 3/4	30
				32		32
						35
						38
						40
						42
		45				

Notes:

- 1) Low hydrogen electrodes welding is recommended.
- 2) Keyways follow BS46 (imperial) and BS 4235 (metric).

Welded-on Sprockets
For roller chains DIN 8187-ISO/R 606

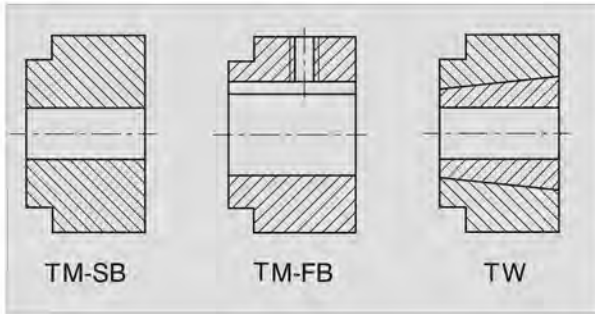
Chain	BS 08B-1	AS 40-1	BS10B-1	BS12B-1	BS16B1
			AS50-1	AS60-1	AS80-1
No. Z	Pitch 1/2"	Pitch 1/2"	Pitch 5/8"	Pitch 3/4"	Pitch 1"
12	08VT12HT	40VT12HT	50WT12HT	60WT12HT	80XT12HT
13	08VT13HT	40VT13HT	50WT13HT	60WT13HT	80XT13HT
14	08VT14HT	40VT14HT	50WT14HT	60WT14HT	80XT14HT
15	08VT15HT	40VT15HT	50WT15HT	60XT15HT	80XT15HT
16	08WT16HT	40WT16HT	50WT16HT	60XT16HT	80XT16HT
17	08WT17HT	40WT17HT	50XT17HT	60XT17HT	80XT17HT
18	08WT18HT	40WT18HT	50XT18HT	60XT18HT	80XT18HT
19	08WT19HT	40WT19HT	50XT19HT	60XT19HT	80XT19HT
20	08XT20HT	40XT20HT	50XT20HT	60XT20HT	80XT20HT
21	08XT21HT	40XT21HT	50XT21HT	60XT21HT	80XT21HT
22	08XT22HT	40XT22HT	50XT22HT	60XT22HT	80XT22HT
23	08XT23HT	40XT23HT	50XT23HT	60XT23HT	80XT23HT
24	08XT24HT	40XT24HT	50XT24HT	60XT24HT	80XT24HT
25	08XT25HT	40XT25HT	50XT25HT	60XT25HT	80XT25HT
26	08XT26HT	40XT26HT	50XT26HT	60XT26HT	80XT26HT
27	08XT27HT	40XT27HT	50XT27HT	60XT27HT	80XT27HT
28	08XT28HT	40XT28HT	50XT28HT	60XT28HT	80XT28HT
29	08XT29HT	40XT29HT	50XT29HT	60XT29HT	80XT29HT
30	08XT30HT	40XT30HT	50XT30HT	60XT30HT	80XT30HT
32	08XT32HT	40XT32HT	50XT32HT	60XT32HT	80XT32HT
34	08XT34HT	40XT34HT	50XT34HT	60XT34HT	80XT34HT
36	08XT36HT	40XT36HT	50XT36HT	60XT36HT	80XT36HT
38	08XT38HT	40XT38HT	50XT38HT	60XT38HT	80XT38HT
40	08XT40HT	40XT40HT	50XT40HT	60XT40HT	80XT40HT
45	08XT45HT	40XT45HT	50XT45HT	60XT45HT	80XT45HT
57	08XT57HT	40XT57HT	50XT57HT	60XT57HT	80XT57HT
76	08XT76HT	40XT76HT	50XT76HT	60XT76HT	80XT76HT

Welded-on Hubs

MANUAL INSTRUCTION FOR TM, TW HUBS

TM, TW HUBS

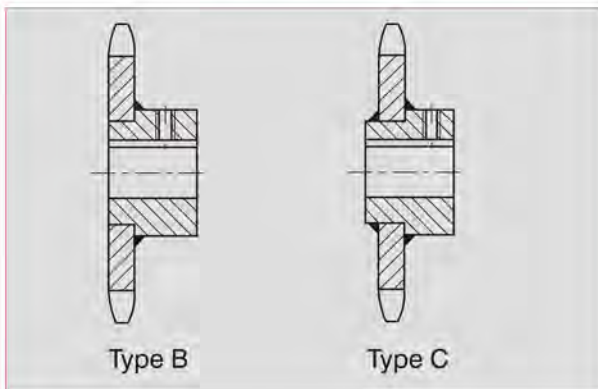
There are two kinds of bores for TM hubs: the pilot bore and finished bore. TW hubs are paired taper bores. After matching the hubs taper bushings, they can meet the diameters for various bore diameters.



JOIN HUBS AND PLATE WHEELS

There are two kinds of ways to join TM/TW hubs with plate wheels. Either by welding or using the riveted lap joint.

◆ Connection by welding is suitable for sprockets with different teeth numbers, especially for sprockets with less teeth as they are not suitable for bolt joint.

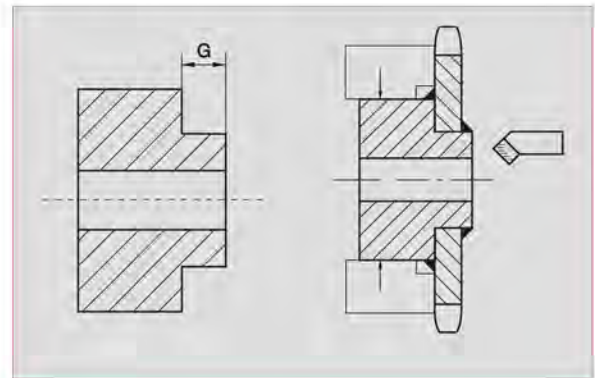


You can either get B type or C type simplex combinations through welding in order to meet the thickness of the largest pitch. dimension "G" can be processed to reflect the largest one. For the small pitch sprocket if the dimension is less than the largest teeth thickness "G", it will probably become type C.

When welding, specific technology should be used to ensure the welding quality and avoid disfiguration. If not take care, the precision will be reduced and there will be difficulties when using.

When TM/TW hubs are welded on plate wheels, welding should be done at the two sides for C type sprockets and for B type sprockets only the side of the hub should be welded.

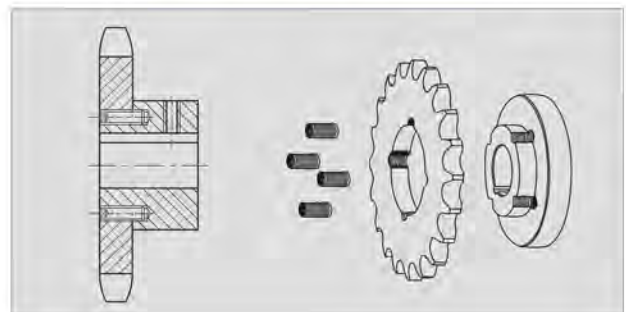
Please take a think of the factors that welding area will interfere the claming in order to avoid any effects to process precision



◆ Riveting joint is also suitable for the combination between TM/TW hubs and plate wheels, especially for sprockets with small teeth numbers which are not suitable for welding.

To use riveting joint, holes in proper sizes should be drilled and tapped at the connecting area. Then fix relevant inner hex screws to increasing strength. By doing so hubs and plate wheels can be combined into a riveted form.

Combination sprockets in riveting joint can be made with simple equipment (bench drill machine) and tools (relevant drill and tap). After simple processes (drilling and tapping holes), combination sprockets of different specifications and with different usages can be made so they can meet all types of assembling conditions. Adopting finished bore hubs or taper bore hubs, other machining processes can be avoided. They have different high precision; They are unshaped with low producing cost and are easy to incorporate onto exiting equipment.



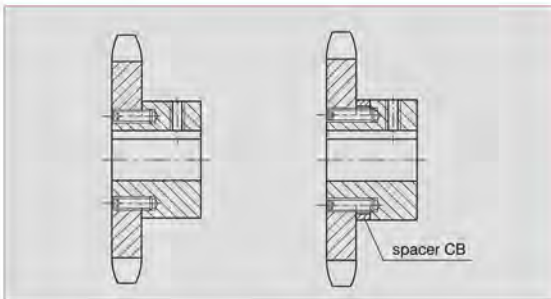
Welded-on Hubs

TABLE FOR DIMENSIONS OF TM, TW HUB FOR RIVETING JOINT

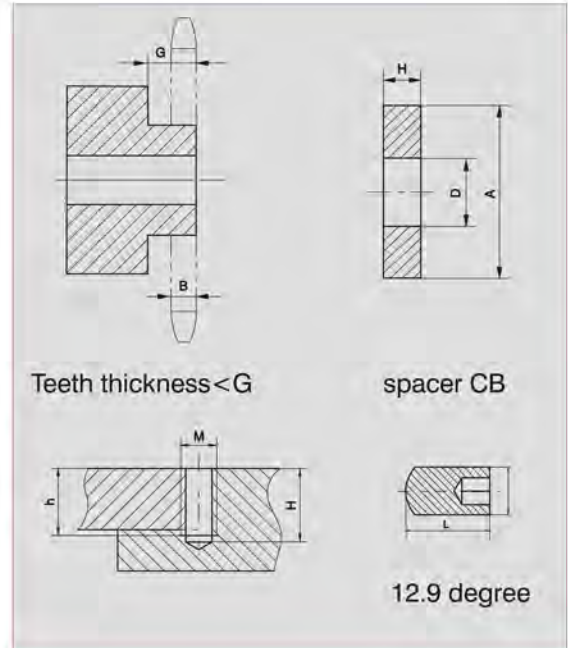
Rivet combination sprockets are installed with high strength inner hex screws. Their quantities and sizes are certified by our engineers' calculations. Their allowed strength while in use is all larger than those of keyways in the bores.

This can ensure the rivets will not be damaged before the keyways and key stocks are . They are of high reliability and safety .

B type sprockets must be adopted when TM/TW hubs are joint with plate wheels.



"G" dimension of TM/TW hubs are designed to fit the largest ones in order to meet the requirements of tooth thickness on the largest plate wheels. If TM/TW hubs are combined with small pitch plate wheels , the "G" dimension will probably be larger than the tooth thickness . And if so, a special design spacer (CB) must be put between hubs and plate wheels so that a riveting joint can be prefrmed .



Teeth thickness < G

spacer CB

12.9 degree

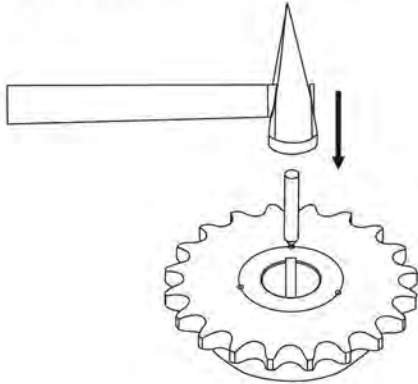
TM	TW	A	D	H					
				06B	08B	10B	12B	16B	20B
40	-	50	40	5.8	3.9	2.0			
50	1008	60	50	5.8	3.9	2.0			
60	1210	70	60	10.9	9.0	7.1	5.1		
70	1610	83	70	13.2	11.3	9.4	7.4	2.3	
90	2012	106	90		16.9	15	13	7.9	5.6
110	2517	127	110		16.9	15	13	7.9	5.6
130	3020	152	130					7.9	5.6

TM Hubs	TW Hubs	h	H	n-M	MxL
TM40	-	16	20	4-M6	M6x15
TM50	TW1008	22	25	4-M6	M6x20
TM60	TW1210	25	30	6-M6	M6x22
TM70	TW1610	28	33	6-M6	M6x25
TM90	TW2012	35	40	6-M8	M8x35
TM110	TW2517	35	40	6-M10	M10x35
TM130	TW3020	35	40	6-M12	M12x40
TM150	TW3535	35	40	6-M16	M12x40

Welded-on Hubs

INSTRUCTION FOR RIVETING JOINT

- ◆ To combine the relevant hub and sprocket together, the number of set screws can be selected according to the design requirement (check with data list), and make the punching marks at the joint of the sprockets and hubs.

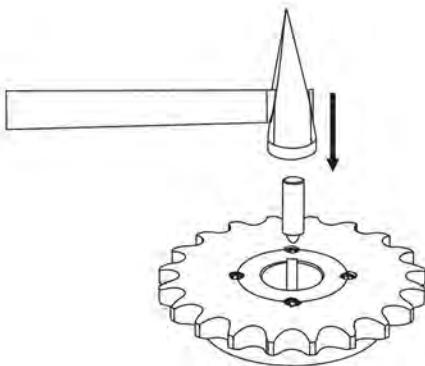


Please notice the spacing requirement. There is no need to be extremely precise, you can draw a line across.

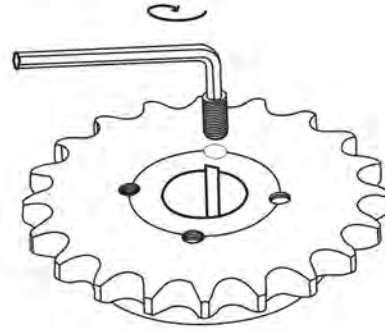
Note: ▲. when using finished bore hubs to combine with sprocket, if there is a requirement of hub keyway to be centerlined with the teeth of the sprocket a precise line should be drawn to ensure its centerlined requirement.

▲. when using the TW taper bore hub, please be sure that bush hole and riveting hole to be staggered.

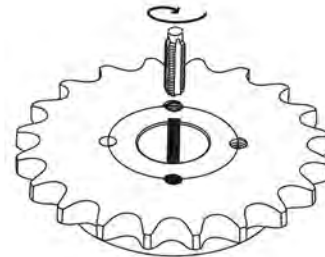
- ◆ After tightened all the screws, for the purpose of preventing the screws from loosening and failing, you can use a drift and drift the edge of threaded holes to make it turn inward a bit.



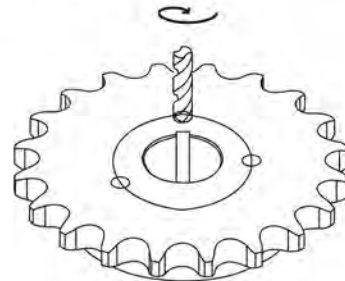
- ◆ With the relevant hexagon wrench to tighten all screws in turns and after tightening screw safely, oil can be used to prevent corrosion and dust.



- ◆ To tap the screw hole to the demanded depth, use the manual tools if necessary.



- ◆ To drill the pilot bore to a certain depth according to the drilling requirements.



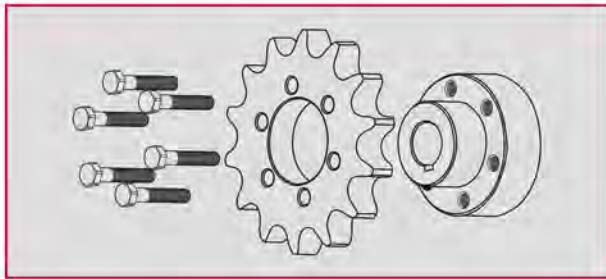
Welded-on Hubs

OPERATION INSTRUCTION ABOUT VM, VW HUBS

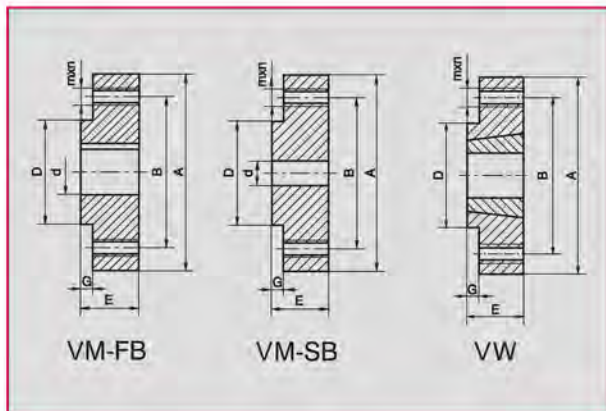
TAPER OF VM/VW HUBS

VM/VW hubs are of multiple usages when joined with plate wheels by fixing bolts into the flanges. The flange holes of hubs are corresponded with the flange holes of the plate wheels. These kinds of hubs are applicable for plate wheels in medium or large pitch or with large teeth numbers. (Plate wheels with small teeth numbers or small pitch can not use VM/VW hubs due to the limitation of root diameters).

VM hubs are with plain bore (pilot bore or finish bore) and VW hubs are paired with taper bore



There are two kinds of bores for VM hubs: pilot bores (which can be remade into all kinds of taper bores or special bores, i.e. spline bores, hexagonal bores, and square bores) and finished bores.

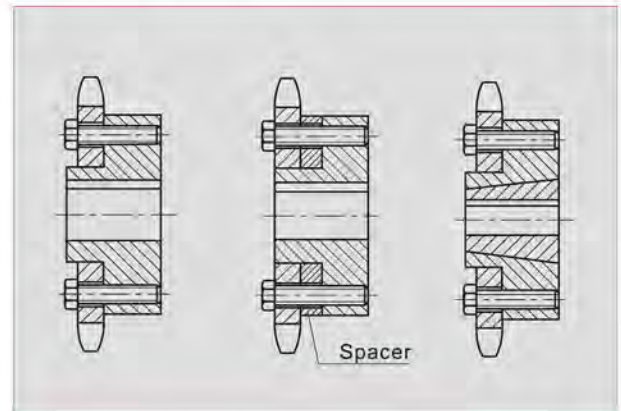


The bores for VM hubs are taper bores. They are joined can meet assembling for bores $\Phi 12-\Phi 90$.

JOINT METHODS FOR VM, VW HUBS

When you use VM/VW hubs, high strength bolts of proper size and quantities must be used. The hubs and plate wheels are combined together after fixing the bolt into the flange.

We can use VM/VW hubs to make "C" type or "B" type sprockets after combing with plate wheels of different pitches.



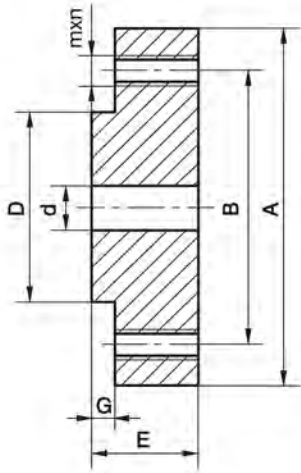
Please note: As to small teeth numbers or small pitch plate wheels, VM/VW hubs may not be suitable.

"G" dimension of VM/VW hubs are designed to the largest ones in order to meet the requirement of teeth thickness of the largest plate wheels.

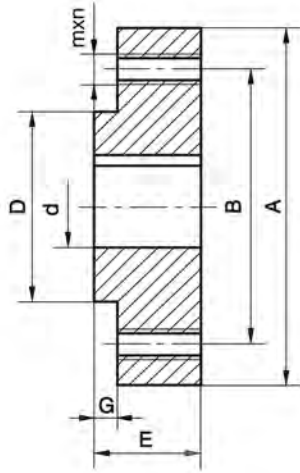
The combined sprockets will be "C" type if the teeth thickness is small than the "G" dimensions.

In this case, if you need "B" type a special design "SB" must be placed between the hub and plate wheel.

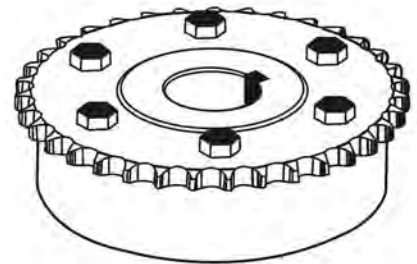
Welded-on Hubs



VM-SB



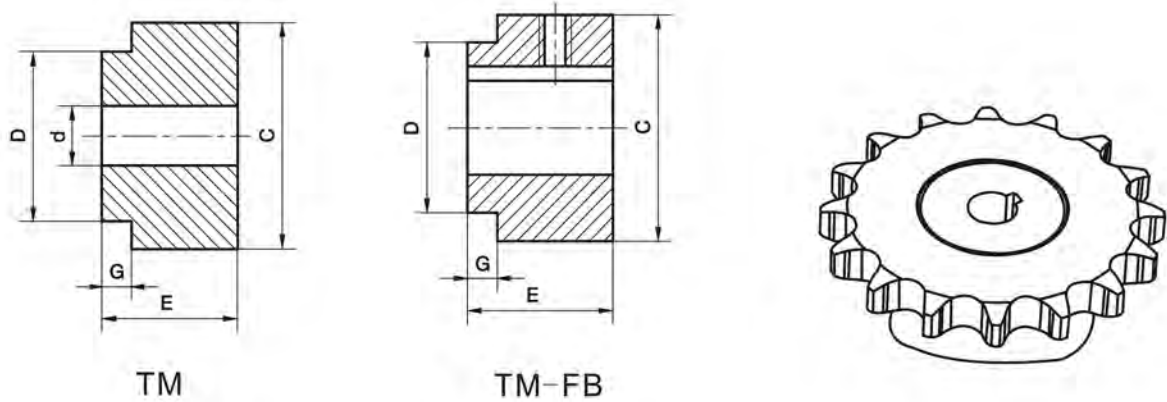
VM-FB



VM Hub	Bore Φ		main dimensions (mm)					screw hole Mxn
	Min	Max	A	B	D	E	G	
VM 70	14	42	130	102	70	40	7.2	M8x4
VM 90	18	50	140	121	90	50	11.1	M8x6
VM110	20	60	175	146	110	60	18.5	M10x6
VM130	25	75	211	181	130	70	24.1	M12x6
VM155	35	90	241	215	155	90	24.1	M16x6

VM-FB Hub	Weld-on Hubs Finished Bore																									
	14	16	18	19	20	22	24	25	28	30	32	35	38	40	42	45	48	50	55	60	65	70	75	80	85	90
VM70FB	○	○	○	○	○	○	○	○	○	○	○	○	○	○	○	○	○	○	○	○	○	○	○	○	○	○
VM90FB		○	○	○	○	○	○	○	○	○	○	○	○	○	○	○	○	○	○	○	○	○	○	○	○	○
VM110FB			○	○	○	○	○	○	○	○	○	○	○	○	○	○	○	○	○	○	○	○	○	○	○	○
VM130FB						○	○	○	○	○	○	○	○	○	○	○	○	○	○	○	○	○	○	○	○	○
VM155FB											○	○	○	○	○	○	○	○	○	○	○	○	○	○	○	○

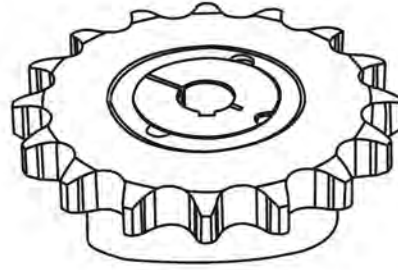
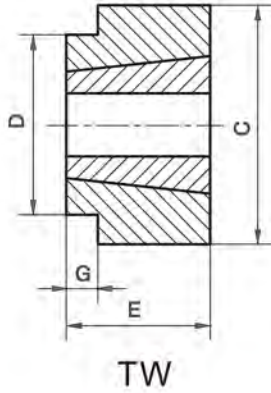
Welded-on Hubs



TM Hub	Bore ϕ		main dimensions (mm)				kg
	Min	Max	C	D	E	G	
TM 40	10	25	50	40	28	11.10	0.46
TM 50	10	28	60	50.8	30	11.10	0.77
TM 60	12	32	70	60	35	16.20	1.20
TM 70	14	42	83	70	40	18.50	1.91
TM 90	18	50	106	90	50	24.10	2.84
TM 110	20	60	127	110	60	24.10	5.97
TM 130	25	75	152	130	70	24.10	9.98
TM 155	35	90	184	155	90	24.10	16.7

TM-FB Hub	Weld-on Hubs Bore																											
	10	12	14	16	18	19	20	22	24	25	28	30	32	35	38	40	42	45	48	50	55	60	65	70	75	80	85	90
TM 40FB	○	○	○	○	○	○	○	○	○	○																		
TM 50FB	○	○	○	○	○	○	○	○	○	○	○	○	○	○														
TM 60FB		○	○	○	○	○	○	○	○	○	○	○	○	○	○	○	○	○	○	○	○	○	○	○	○	○	○	○
TM 70FB			○	○	○	○	○	○	○	○	○	○	○	○	○	○	○	○	○	○	○	○	○	○	○	○	○	○
TM 90FB					○	○	○	○	○	○	○	○	○	○	○	○	○	○	○	○	○	○	○	○	○	○	○	○
TM110FB							○	○	○	○	○	○	○	○	○	○	○	○	○	○	○	○	○	○	○	○	○	○
TM130FB											○	○	○	○	○	○	○	○	○	○	○	○	○	○	○	○	○	○
TM155FB																												

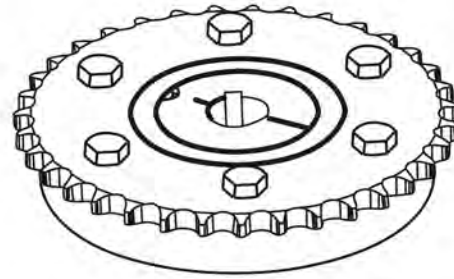
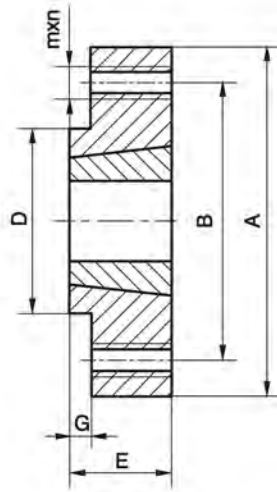
Welded-on Hubs



TW Hub	Bush No	Bore ϕ		main dimensions (mm)			
		Min	Max	C	D	E	G
TW1008	1008	10	25	60	50.8	22	11.10
TW1210	1210	12	32	70	60	25	11.10
TW1215	1215	12	32	70	60	38	16.20
TW1610	1610	14	42	83	70	25	18.50
TW1615	1615	14	42	83	70	38	24.10
TW2012	2012	18	50	106	90	32	24.10
TW2517	2517	20	60	127	110	45	24.10
TW3020	3020	25	75	152	130	51	24.10
TW3030	3030	25	75	152	130	76	24.10
TW3535	3535	35	90	184	155	89	24.10

TW Hub	Bush	Weld-on Waper Bushing Bore																											
		10	12	14	16	18	19	20	22	24	25	28	30	32	35	38	40	42	45	48	50	55	60	65	70	75	80	85	90
TW1008	1008	○	○	○	○	○	○	○	○	○	○	○	○	○	○	○	○	○	○	○	○	○	○	○	○	○	○	○	○
TW1210	1210		○	○	○	○	○	○	○	○	○	○	○	○	○	○	○	○	○	○	○	○	○	○	○	○	○	○	○
TW1215	1215		○	○	○	○	○	○	○	○	○	○	○	○	○	○	○	○	○	○	○	○	○	○	○	○	○	○	○
TW1610	1610			○	○	○	○	○	○	○	○	○	○	○	○	○	○	○	○	○	○	○	○	○	○	○	○	○	○
TW1615	1615			○	○	○	○	○	○	○	○	○	○	○	○	○	○	○	○	○	○	○	○	○	○	○	○	○	○
TW2012	2012					○	○	○	○	○	○	○	○	○	○	○	○	○	○	○	○	○	○	○	○	○	○	○	○
TW2517	2517							○	○	○	○	○	○	○	○	○	○	○	○	○	○	○	○	○	○	○	○	○	○
TW3020	3020									○	○	○	○	○	○	○	○	○	○	○	○	○	○	○	○	○	○	○	○
TW3030	3030										○	○	○	○	○	○	○	○	○	○	○	○	○	○	○	○	○	○	○
TW3535	3535													○	○	○	○	○	○	○	○	○	○	○	○	○	○	○	○

Welded-on Hubs

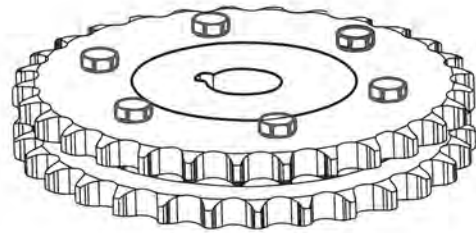
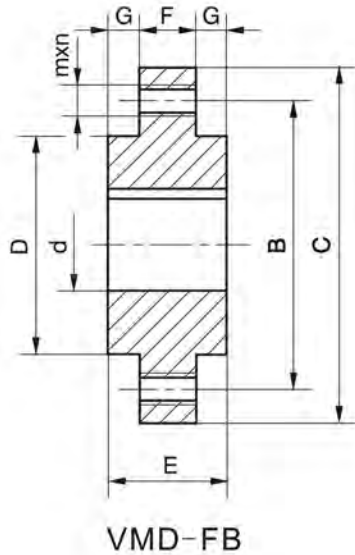


VW

VW Hub	Bush No	main dimensions (mm)					screw bale Mxn
		A	B	D	E	G	
VW 1610	1610	130	102	70	25	7.2	M8x4
VW2012	2012	140	121	90	32	11.1	M8x6
VW2517	2517	175	146	110	45	18.5	M10x6
VW3020	3020	211	181	130	51	24.1	M12x6
VW3030	3030	211	181	130	75	24.1	M16x6
VW3535	3535	241	215	155	89	24.1	M16x6

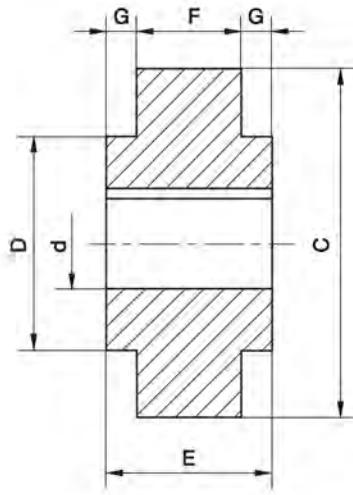
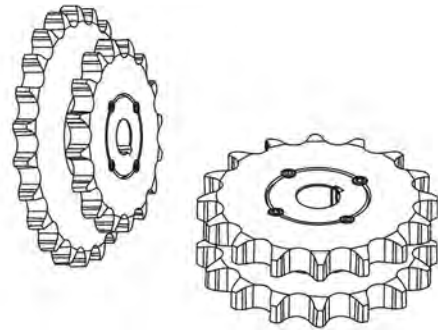
VW Hub	Bush No	Weld-on Taper Bushing Bore																										
		14	16	18	19	20	22	24	25	28	30	32	35	38	40	42	45	48	50	55	60	65	70	75	80	85	90	
VW 1610	1610	○	○	○	○	○	○	○	○	○	○	○	○	○	○	○												
VW2012	2012			○	○	○	○	○	○	○	○	○	○	○	○	○	○	○	○									
VW 2517	2517					○	○	○	○	○	○	○	○	○	○	○	○	○	○	○	○	○	○	○	○	○	○	○
VW3020	3020									○	○	○	○	○	○	○	○	○	○	○	○	○	○	○	○	○	○	○
VW3030	3030									○	○	○	○	○	○	○	○	○	○	○	○	○	○	○	○	○	○	○
VW3535	3535																○	○	○	○	○	○	○	○	○	○	○	○

Welded-on Hubs



VMD Hub	sprocket No.	Bore Φ		main dimensions (mm)						screw hole Mxn	Kg ^③
		Min	Max	C	B	D	G	E	F		
VMD70	06B	14	42	130	102	70	5.2	15.4	5.0	M8x8	1.5
	08B						7.1	21.0	6.8		2.1
VMD90	08B	18	50	140	121	90	7.1	20.0	6.8	M8x12	2.5
	10B						9.0	25.5	7.5		3.0
	12B						11.0	30.3	8.3		3.6
VMD110	10B	20	60	175	146	110	9.0	25.5	7.5	M10x12	4.5
	12B						11.0	30.3	8.3		5.5
	16B						16.0	47.7	15.7		8.6
	20B						18.4	54.6	17.8		9.8
VMD130	16B	25	75	211	181	130	16.0	17.7	15.7	M12x12	12.7
	20B						18.4	54.6	17.8		15.0
	24B						23.80	72.0	24.4		20.0
VMD155	24B	35	90	241	215	155	23.80	72.0	24.4	M16x12	25.5
	-						—	—	—		—

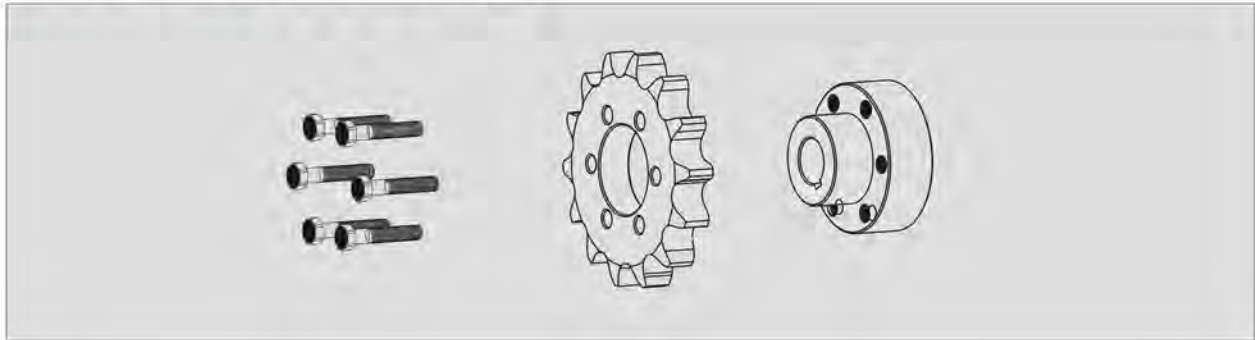
VMD-FB Hub	Weld-on Hubs Finished Bore																									
	14	16	18	19	20	22	24	25	28	30	32	35	38	40	42	45	48	50	55	60	65	70	75	80	85	90
VMD70FB	○	○	○	○	○	○	○	○	○	○	○	○	○	○	○	○	○	○	○	○	○	○	○	○	○	○
VMD90FB			○	○	○	○	○	○	○	○	○	○	○	○	○	○	○	○	○	○	○	○	○	○	○	○
VMD110FB				○	○	○	○	○	○	○	○	○	○	○	○	○	○	○	○	○	○	○	○	○	○	○
VMD130FB						○	○	○	○	○	○	○	○	○	○	○	○	○	○	○	○	○	○	○	○	○
VMD155FB												○	○	○	○	○	○	○	○	○	○	○	○	○	○	○

Welded-on Hubs

TMDS


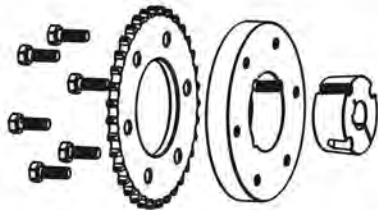
TMDS Hub	sprocket No.	Bore Φ		main dimensions (mm)					Kg
		Min	Max	C	D	G	E	F	
TMDS 40	08B					7.1	31.0	16.8	0.30
	10B	10	25	50	40	9.0	36.5	18.5	0.38
	12B					11.0	45.0	23.0	0.43
TMDS 50	08B					7.1	31.0	16.8	0.45
	10B	10	28	60	50	9.0	36.5	18.5	0.55
	12B					11.0	45.0	23.0	0.65
TMDS 60	08B					7.1	31.0	16.8	0.60
	10B	12	32	70	60	9.0	36.5	18.5	0.75
	12B					11.0	45.0	23.0	0.91
	16B					16.0	63.5	31.5	1.40
TMDS 70	08B					7.1	31.0	16.8	0.85
	10B					9.0	36.5	18.5	1.00
	12B	14	42	83	70	11.0	45.0	23.0	1.25
	16B					16.0	63.5	31.5	1.95
	20B					18.0	70.0	33.2	2.20
TMDS 90	10B					9.0	36.5	18.5	1.70
	12B	18	50	106	90	11.0	45.0	23.0	2.00
	16B					16.0	63.5	31.5	3.30
	20B					18.4	70.0	33.2	3.70
TMDS 110	16B	20	60	127	110	16.0	63.5	31.5	4.60
	20B					18.4	70.0	33.2	5.20
TMDS 130	20B	25	75	152	130	18.4	70.0	33.2	6.60

Welden-on sprockest

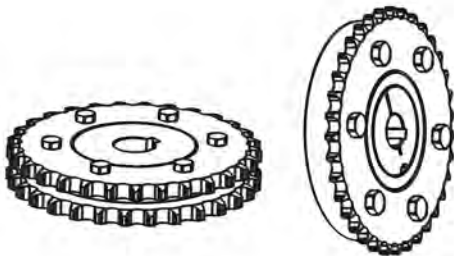
For roller chains DIN 8187-ISO/R 606



◆ Taper Bored Combinatory Sprockets.



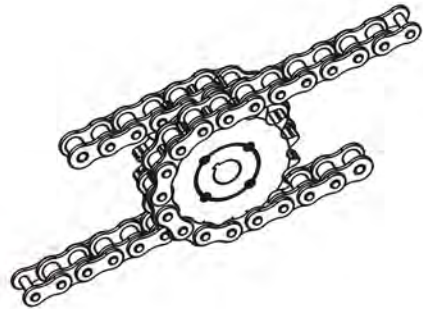
◆ Standard Combinatory Sprockets.



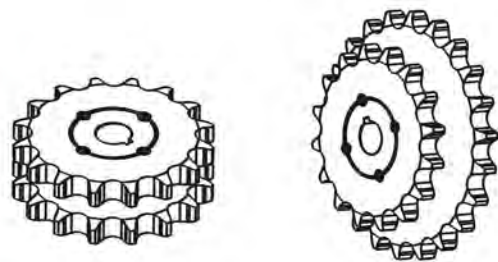
◆ Taper Bored VW Hubs may fit the whole series of Bushings well and can also be assembled into Taper Bored Sprockets.

◆ TMD Hubs are suitable for duplex plate wheels. To combine different pitches of plate wheels, you can get different pitches of duplex sprockets for all kinds.

◆ TMDS Hubs can be used to form Doublex-Singlex (DS) Platewheels of any kinds from pitch 3/8"-1 1/2".



◆ DS Platewheels.



◆ TMDS Hubs can be used for two plate wheels of different numbers of teeth or different pitches to form into double functional transmission sprockets for the purpose of increasing or reducing speed.

Weld-on sprockest
For roller chains DIN 8187-ISO/R 606
06B 3/8"X7/32"
H=5.30mm

Z	O.D	P.D	d	B	Mxn	Hub				
						Bush	TM/D,DS	TW	VM/D	VW
22	70.60	66.93	40			1008	TM40	TW1008		
23	73.70	69.69	40			1008	TM40	TW1008		
24	76.70	73.97	50			1008	TM50	TW1008		
25	79.70	76.00	50			1008	TM 50	TW1008		
26	82.70	79.02	60			1210	TM60	TW1210		
27	85.70	82.04	60			1210	TM60	TW1210		
28	88.80	85.07	70			1610	TM70	TW1610		
29	91.80	88.09	70			1610	TM70	TW1610		
30	94.80	91.12	70			1610	TM70	TW1610		
31	97.90	94.15	70			1610	TM70	TW1610		
32	100.90	97.17	70			1610	TM70	TW1610		
33	103.90	100.20	70			1610	TM70	TW1610		
34	106.90	103.23	70			1610	TM70	TW1610		
35	110.00	106.26	70			1610	TM70	TW1610		
36	113.00	109.29	70			1610	TM70	TW1610		
37	116.00	112.32	70			1610	TM70	TW1610		
38	119.00	115.34	70			1610	TM70	TW1610		
39	122.10	118.37	70			1610	TM70	TW1610		
40	125.10	121.40	70			1610	TM70	TW1610		
41	129.10	124.43	70			1610	TM70	TW1610		
42	132.10	127.46	70			1610	TM70	TW 1610		
43	135.10	130.49	70			1610	TM70	TW1610		
44	138.10	133.52	70			1610	TM70	TW1610		
45	141.10	136.54	70			1610	TM70	TW1610		
46	144.20	139.58	70	102	9.5x4	1610	TM70	TW 1610	VM70	VW1610
47	147.20	142.61	70	102	9.5x4	1610	TM70	TW 1610	VM70	VW1610
48	150.20	145.64	70	102	9.5x4	1610	TM70	TW1610	VM70	VW1610
49	153.30	148.66	70	102	9.5x4	1610	TM70	TW1610	VM70	VW1610
50	156.30	151.69	70	102	9.5x4	1610	TM70	TW 1610	VM70	VW1610
51	159.30	154.72	70	102	9.5x4	1610	TM70	TW1610	VM70	VW1610
52	162.40	157.75	70	102	9.5x4	1610	TM70	TW1610	VM70	VW1610
53	165.40	160.78	70	102	9.5x4	1610	TM70	TW 1610	VM70	VW1610
54	168.40	163.82	70	102	9.5x4	1610	TM70	TW 1610	VM70	VW1610
55	171.40	166.85	70	102	9.5x4	1610	TM70	TW 1610	VM70	VW1610
56	174.50	169.88	70	102	9.5x4	1610	TM70	TW 1610	VM70	VW1610
57	177.50	172.91	70	102	9.5x4	1610	TM70	TW1610	VM70	VW1610
58	180.50	175.93	70	102	9.5x4	1610	TM70	TW 1610	VM70	VW1610
59	183.60	178.96	70	102	9.5x4	1610	TM70	TW 1610	VM70	VW1610
60	186.60	181.99	70	102	9.5x4	1610	TM70	TW1610	VM70	VW1610
70	216.90	213.30	70	102	9.5x4	1610	TM70	TW 1610	VM70	VW 1610
72	223.00	218.3	70	102	9.5x4	1610	TM70	TW1610	VM70	VW1610
80	247.20	242.61	70	102	9.5x4	1610	TM70	TW 1610	VM70	VW1610
84	259.30	254.75	70	102	9.5x4	1610	TM70	TW 1610	VM70	VW1610
96	289.60	285.05	70	102	9.5x4	1610	TM70	TW1610	VM70	VW1610
112	344.30	339.61	70	102	9.5x4	1610	TM70	TW1610	VM70	VW1610

Weld-on sprockest
For roller chains DIN 8187-ISO/R 606
08B 1/2"X5/16"
H=7.20mm

Z	O.D	P.D	d	B	Mxn	Hub				
						Bush	TM/D,DS	TW	VM/D	VW
15	65.90	61.09	40				TM 40			
16	69.90	65.10	40				TM 40			
17	74.00	69.11	40				TM 40			
18	78.00	73.14	50			1008	TM 50	TW1008		
19	82.00	77.16	50			1008	TM 50	TW1008		
20	84.60	80.89	60			1210	TM 60	TW1210		
21	87.60	84.91	60			1210	TM 60	TW1210		
22	94.10	89.24	70			1610	TM 70	TW1610		
23	98.10	93.27	70			1610	TM 70	TW1610		
24	102.10	97.29	70			1610	TM 70	TW1610		
25	106.20	101.33	70			1610	TM 70	TW1610		
26	110.20	105.36	70			1610	TM 70	TW1610		
27	114.20	109.40	70			1610	TM 70	TW1610		
28	118.30	113.42	70			1610	TM 70	TW1610		
29	122.30	117.46	70			1610	TM 70	TW1610		
30	126.30	121.50	70			1610	TM 70	TW1610		
31	130.40	125.54	70			1610	TM 70	TW1610		
32	134.40	129.56	70			1610	TM 70	TW1610		
33	138.40	133.60	70			1610	TM 70	TW1610		
34	142.50	137.64	70			1610	TM 70	TW1610		
35	146.50	141.68	70	102	9.5x4	1610	TM 70	TW1610	VM 70	VW1610
36	150.60	145.72	70	102	9.5x4	1610	TM 70	TW1610	VM 70	VW1610
37	154.60	149.76	70	102	9.5x4	1610	TM 70	TW1610	VM 70	VW1610
38	158.60	153.80	70	102	9.5x4	1610	TM 70	TW1610	VM 70	VW1610
39	162.70	157.83	70	102	9.5x4	1610	TM 70	TW1610	VM 70	VW1610
40	166.70	161.87	70	102	9.5x4	1610	TM 70	TW1610	VM 70	VW1610
41	172.40	165.91	70	102	9.5x4	1610	TM 70	TW1610	VM 70	VW1610
42	176.50	169.95	70	102	9.5x4	1610	TM 70	TW1610	VM 70	VW1610
43	180.50	173.99	70	102	9.5x4	1610	TM 70	TW1610	VM 70	VW1610
44	184.60	178.03	70	102	9.5x4	1610	TM 70	TW1610	VM 70	VW1610
45	188.60	182.07	70	102	9.5x4	1610	TM 70	TW1610	VM 70	VW1610
46	192.60	186.10	70	102	9.5x4	1610	TM 70	TW1610	VM 70	VW1610
47	196.70	190.14	70	102	9.5x4	1610	TM 70	TW1610	VM 70	VW1610
48	200.70	194.18	70	102	9.5x4	1610	TM 70	TW1610	VM 70	VW1610
49	204.80	198.22	70	102	9.5x4	1610	TM 70	TW1610	VM 70	VW1610
50	208.80	202.26	70	102	9.5x4	1610	TM 70	TW1610	VM 70	VW1610
51	212.80	206.30	70	102	9.5x4	1610	TM 70	TW1610	VM 70	VW1610
52	216.90	210.34	70	102	9.5x4	1610	TM 70	TW1610	VM 70	VW1610
53	220.90	214.37	70	102	9.5x4	1610	TM 70	TW1610	VM 70	VW1610
54	225.00	218.43	70	102	9.5x4	1610	TM 70	TW1610	VM 70	VW1610
55	229.00	222.45	70	102	9.5x4	1610	TM 70	TW1610	VM 70	VW1610
56	233.00	226.50	70	102	9.5x4	1610	TM 70	TW1610	VM 70	VW1610
57	237.10	230.54	70	102	9.5x4	1610	TM 70	TW1610	VM 70	VW1610
58	241.10	234.58	70	102	9.5x4	1610	TM 70	TW1610	VM 70	VW1610
59	245.20	238.62	70	102	9.5x4	1610	TM 70	TW1610	VM 70	VW1610
60	249.20	242.66	70	102	9.5x4	1610	TM 70	TW1610	VM 70	VW1610
70	289.60	283.07	90	121	11.5x4	2012	TM 90	TW2012	VM 90	VW2012
72	297.70	291.16	90	121	11.5x4	2012	TM 90	TW2012	VM 90	VW2012
80	330.00	323.48	90	121	11.5x4	2012	TM 90	TW2012	VM 90	VW2012
84	346.10	339.66	90	121	11.5x4	2012	TM 90	TW2012	VM 90	VW2012
96	394.80	388.15	90	121	11.5x4	2012	TM 90	TW2012	VM 90	VW2012
112	459.30	452.01	110	146	11.5x6	2517	TM110	TW2517	VM110	VW2517

Welded-on sprockest
For roller chains DIN 8187-ISO/R 606
10B 5/8"X3/8"
H=9.10mm

Z	O.D	P.D	d	B	Mxn	Hub				
						Bush	TM/D,DS	TW	VM/D	VW
15	83.20	76.36	50			1008	TM50	TW1008		
16	88.30	81.37	50			1008	TM50	TW1008		
17	93.30	86.39	60			1210	TM60	TW1210		
18	98.30	91.42	60			1210	TM60	TW1210		
19	103.30	96.45	70			1610	TM70	TW1610		
20	108.40	101.49	70			1610	TM70	TW1610		
21	113.40	106.52	70			1610	TM70	TW1610		
22	118.40	111.55	70			1610	TM70	TW1610		
23	123.50	116.58	90			2012	TM90	TW2012		
24	128.50	121.62	90			2012	TM90	TW2012		
25	133.60	126.66	90			2012	TM90	TW2012		
26	138.60	131.70	90			2012	TM90	TW2012		
27	143.60	136.75	90			2012	TM90	TW2012		
28	148.70	141.78	90			2012	TM90	TW2012		
29	153.70	146.83	90			2012	TM90	TW2012		
30	158.80	151.87	90			2012	TM90	TW2012		
31	163.80	156.92	90	121	11.5x6	2012	TM90	TW2012	VM90	VW2012
32	168.90	161.95	90	121	11.5x6	2012	TM90	TW2012	VM90	VW2012
33	173.90	167.00	90	121	11.5x6	2012	TM90	TW2012	VM90	VW2012
34	178.90	172.05	90	121	11.5x6	2012	TM90	TW2012	VM90	VW2012
35	184.00	177.10	90	121	11.5x6	2012	TM90	TW2012	VM90	VW2012
36	189.00	182.15	90	121	11.5x6	2012	TM90	TW2012	VM90	VW2012
37	194.10	187.20	90	121	11.5x6	2012	TM90	TW2012	VM90	VW2012
38	199.10	192.24	90	121	11.5x6	2012	TM90	TW2012	VM90	VW2012
39	204.20	197.29	90	121	11.5x6	2012	TM90	TW2012	VM90	VW2012
40	209.20	202.34	90	121	11.5x6	2012	TM90	TW2012	VM90	VW2012
41	215.80	207.39	90	121	11.5x6	2012	TM90	TW2012	VM90	VW2012
42	220.80	212.44	90	121	11.5x6	2012	TM90	TW2012	VM90	VW2012
43	225.90	217.49	90	121	11.5x6	2012	TM90	TW2012	VM90	VW2012
44	230.90	222.53	90	121	11.5x6	2012	TM90	TW2012	VM90	VW2012
45	236.00	227.5/8	90	121	11.5x6	2012	TM90	TW2012	VM90	VW2012
46	241.00	232.63	90	121	11.5x6	2012	TM90	TW2012	VM90	VW2012
47	246.10	237.68	90	121	11.5x6	2012	TM90	TW2012	VM90	VW2012
48	251.10	242.73	90	121	11.5x6	2012	TM90	TW2012	VM90	VW2012
49	256.20	247.78	90	121	11.5x6	2012	TM90	TW2012	VM90	VW2012
50	261.20	252.82	90	121	11.5x6	2012	TM90	TW2012	VM90	VW2012
51	266.30	257.87	90	121	11.5x6	2012	TM90	TW2012	VM90	VW2012
52	271.30	262.93	90	121	11.5x6	2012	TM90	TW2012	VM90	VW2012
53	276.40	267.97	90	121	11.5x6	2012	TM90	TW2012	VM90	VW2012
54	281.40	273.03	90	121	11.5x6	2012	TM90	TW2012	VM90	VW2012
55	286.50	278.08	90	121	11.5x6	2012	TM90	TW2012	VM90	VW2012
56	291.50	283.13	90	121	11.5x6	2012	TM90	TW2012	VM90	VW2012
57	296.60	288.18	90	121	11.5x6	2012	TM90	TW2012	VM90	VW2012
58	301.60	293.23	90	121	11.5x6	2012	TM90	TW2012	VM90	VW2012
59	306.70	298.27	90	121	11.5x6	2012	TM90	TW2012	VM90	VW2012
60	311.70	303.32	90	121	11.5x6	2012	TM90	TW2012	VM90	VW2012
70	362.20	353.84	110	146	11.5x6	2517	TM110	TW2517	VM110	VW2517
72	372.30	363.95	110	146	11.5x6	2517	TM110	TW2517	VM110	VW2517
80	412.70	404.35	110	146	11.5x6	2517	TM110	TW2517	VM110	VW2517
84	433.00	424.58	110	146	11.5x6	2517	TM110	TW2517	VM110	VW2517
96	493.60	485.19	110	146	11.5x6	2517	TM110	TW2517	VM110	VW2517
112	574.40	566.03	110	146	11.5x6	2517	TM110	TW2517	VM110	VW2517

Weld-on sprockest
For roller chains DIN 8187-ISO/R 606
12B 3/4"X7/16"
H=11.10mm

Z	O.D	PD	d	B	Mxn	Hub				
						Bush	TM/D,DS	TW	VM/D	VW
13	87.80	79.59	50			1008	TM50	TW1008		
14	93.80	85.61	60			1210	TM60	TW1210		
15	99.80	91.63	70			1610	TM70	TW1610		
16	105.80	97.65	70			1610	TM70	TW1610		
17	111.90	103.67	70			1610	TM70	TW1610		
18	117.90	109.71	70			1610	TM70	TW1610		
19	123.90	115.75	70			1610	TM70	TW1610		
20	130.00	121.78	90			2012	TM90	TW2012		
21	136.00	127.82	90			2012	TM90	TW2012		
22	142.00	133.86	90			2012	TM90	TW2012		
23	148.10	139.90	90			2012	TM90	TW2012		
24	154.10	145.94	90			2012	TM90	TW2012		
25	160.20	152.00	90			2012	TM90	TW2012		
26	166.20	158.04	90			2012	TM90	TW2012		
27	172.30	164.09	90	121	11.5x6	2012	TM90	TW2012	VM 90	VW 2012
28	178.30	170.13	90	121	11.5x6	2012	TM90	TW2012	VM 90	VW 2012
29	184.40	176.19	90	121	11.5x6	2012	TM90	TW2012	VM 90	VW 2012
30	190.40	182.25	90	121	11.5x6	2012	TM90	TW2012	VM 90	VW 2012
31	196.50	188.31	90	121	11.5x6	2012	TM90	TW2012	VM 90	VW 2012
32	202.50	194.35	90	121	11.5x6	2012	TM90	TW2012	VM 90	VW 2012
33	208.60	200.40	90	121	11.5x6	2012	TM90	TW2012	VM 90	VW 2012
34	214.60	206.46	90	121	11.5x6	2012	TM90	TW2012	VM 90	VW 2012
35	220.70	212.52	90	121	11.5x6	2012	TM90	TW2012	VM 90	VW 2012
36	226.80	218.58	90	121	11.5x6	2012	TM90	TW2012	VM 90	VW 2012
37	232.80	224.64	90	121	11.5x6	2012	TM90	TW2012	VM 90	VW 2012
38	238.80	230.69	90	121	11.5x6	2012	TM90	TW2012	VM 90	VW 2012
39	244.90	236.75	90	121	11.5x6	2012	TM90	TW2012	VM 90	VW 2012
40	251.00	242.81	90	121	11.5x6	2012	TM90	TW2012	VM 90	VW 2012
41	258.90	248.87	90	121	11.5x6	2012	TM90	TW2012	VM 90	VW 2012
42	265.00	254.93	90	121	11.5x6	2012	TM90	TW2012	VM 90	VW 2012
43	271.10	260.98	90	121	11.5x6	2012	TM90	TW2012	VM 90	VW 2012
44	277.10	267.03	90	121	11.5x6	2012	TM90	TW2012	VM 90	VW 2012
45	283.20	273.10	90	121	11.5x6	2012	TM90	TW2012	VM 90	VW 2012
46	289.20	279.16	90	121	11.5x6	2012	TM90	TW2012	VM 90	VW 2012
47	295.30	285.21	90	121	11.5x6	2012	TM 90	TW2012	VM 90	VW 2012
48	301.40	291.27	90	121	11.5x6	2012	TM 90	TW2012	VM 90	VW 2012
49	307.40	297.33	110	146	11.5x6	2517	TM110	TW2517	VM110	VW2517
50	313.50	303.39	110	146	11.5x6	2517	TM110	TW2517	VM110	VW2517
51	319.50	309.45	110	146	11.5x6	2517	TM110	TW2517	VM110	VW2517
52	325.60	315.50	110	146	11.5x6	2517	TM110	TW2517	VM110	VW2517
53	331.60	321.56	110	146	11.5x6	2517	TM110	TW2517	VM110	VW2517
54	337.70	327.64	110	146	11.5x6	2517	TM110	TW2517	VM110	VW2517
55	343.80	333.70	110	146	11.5x6	2517	TM110	TW 2517	VM110	VW2517
56	349.80	339.75	110	146	11.5x6	2517	TM110	TW 2517	VM110	VW2517
57	355.90	345.81	110	146	11.5x6	2517	TM110	TW 2517	VM110	VW2517
58	362.00	351.87	110	146	11.5x6	2517	TM110	TW 2517	VM110	VW 2517
59	368.00	357.93	110	146	11.5x6	2517	TM110	TW2517	VM110	VW 2517
60	374.10	363.99	110	146	11.5x6	2517	TM110	TW2517	VM110	VW 2517
70	343.70	424.61	110	146	11.5x6	2517	TM110	TW2517	VM110	VW2517
72	446.80	436.74	110	146	11.5x8	2517	TM110	TW2517	VM110	VW 2517
80	495.30	485.22	110	146	11.5x8	2517	TM110	TW2517	VM110	VW2517
84	519.50	515.50	110	146	11.5x8	2517	TM110	TW2517	VM110	VW2517

Welded-on sprockest
For roller chains DIN 8187-ISO/R 606
16B 1"X17.02mm

H=16.20mm

Z	O.D	PD	d	B	Mxn	Hub				
						Bush	TM/D,DS	TW	VM/D	VW
11	101.70	90.14	60			1215	TM 60	TW1215		
12	109.70	98.14	70			1615	TM 70	TW1615		
13	117.70	106.12	70			1615	TM 70	TW1615		
14	125.70	114.15	70			1615	TM 70	TW1615		
15	133.70	122.17	70			1615	TM 70	TW1615		
16	141.80	130.20	90			2012	TM 90	TW2012		
17	149.80	138.22	90			2012	TM 90	TW2012		
18	157.80	146.28	90			2012	TM 90	TW2012		
19	165.90	154.33	90			2012	TM 90	TW2012		
20	173.90	162.38	110			2517	TM110	TW2517		
21	182.00	170.43	110			2517	TM110	TW2517		
22	190.10	178.48	110			2517	TM110	TW2517		
23	198.10	186.53	110			2517	TM110	TW2517		
24	206.20	194.59	110			2517	TM110	TW2517		
25	214.20	202.66	110			2517	TM110	TW2517		
26	222.30	210.72	110	146	11.5x6	2517	TM110	TW2517	VM110	VW 2517
27	230.40	218.29	110	146	11.5x6	2517	TM110	TW2517	VM110	VW 2517
28	238.40	226.85	110	146	11.5x6	2517	TM110	TW2517	VM110	VW 2517
29	246.50	234.92	110	146	11.5x6	2517	TM110	TW2517	VM110	VW 2517
30	254.60	243.00	110	146	11.5x6	2517	TM110	TW2517	VM110	VW 2517
31	262.60	251.08	110	146	11.5x6	2517	TM110	TW2517	VM110	VW 2517
32	270.70	259.13	110	146	11.5x6	2517	TM110	TW2517	VM110	VW 2517
33	278.80	267.21	110	146	11.5x6	2517	TM110	TW2517	VM110	VW 2517
34	286.90	275.28	110	146	11.5x6	2517	TM110	TW2517	VM110	VW 2517
35	294.90	283.36	110	146	11.5x6	2517	TM110	TW2517	VM110	VW 2517
36	303.00	291.44	110	146	11.5x6	2517	TM110	TW2517	VM110	VW 2517
37	311.10	299.51	110	146	11.5x6	2517	TM110	TW2517	VM110	VW 2517
38	319.20	307.59	110	146	11.5x6	2517	TM110	TW2517	VM110	VW 2517
39	327.20	315.67	110	146	11.5x6	2517	TM110	TW2517	VM110	VW 2517
40	335.30	323.73	110	146	11.5x6	2517	TM110	TW2517	VM110	VW 2517
41	345.60	331.82	110	146	11.5x6	2517	TM110	TW2517	VM110	VW 2517
42	353.70	339.90	110	146	11.5x6	2517	TM110	TW2517	VM110	VW 2517
43	361.70	347.98	110	146	11.5x6	2517	TM110	TW2517	VM110	VW 2517
44	369.80	356.06	110	146	11.5x6	2517	TM110	TW2517	VM110	VW 2517
45	377.90	364.12	110	146	11.5x6	2517	TM110	TW2517	VM110	VW 2517
46	386.00	372.21	110	146	11.5x6	2517	TM110	TW2517	VM110	VW 2517
47	394.10	380.29	110	146	11.5x6	2517	TM110	TW2517	VM110	VW 2517
48	402.10	388.36	110	146	11.5x6	2517	TM110	TW2517	VM110	VW 2517
49	410.20	396.44	110	146	11.5x6	2517	TM110	TW2517	VM110	VW 2517
50	418.30	404.52	110	146	11.5x6	2517	TM110	TW2517	VM110	VW 2517
51	426.40	412.60	110	146	11.5x6	2517	TM110	TW2517	VM110	VW 2517
52	434.450	420.67	110	146	11.5x6	2517	TM110	TW2517	VM110	VW 2517
53	442.50	428.75	110	146	11.5x6	2517	TM110	TW 2517	VM110	VW 2517
54	450.60	436.85	110	146	11.5x6	2517	TM110	TW 2517	VM110	VW 2517
55	458.70	444.93	110	146	11.5x6	2517	TM110	TW 2517	VM110	VW 2517
56	466.80	453.01	110	146	11.5x6	2517	TM110	TW 2517	VM110	VW 2517
57	474.90	461.07	110	146	11.5x6	2517	TM110	TW 2517	VM110	VW 2517
58	482.90	469.16	110	146	11.5x6	2517	TM110	TW 2517	VM110	VW 2517
59	491.00	477.24	110	146	11.5x6	2517	TM110	TW 2517	VM110	VW 2517
60	499.10	485.32	110	146	11.5x6	2517	TM110	TW 2517	VM110	VW 2517
70	579.90	566.14	130	181	13.5x6	3020	TM130	TW3020	VM130	VW3020
72	596.10	582.32	130	181	13.5x6	3020	TM130	TW3020	VM130	VW3020
80	660.70	646.96	130	181	13.5x6	3020	TM130	TW3020	VM130	VW3020

Welded-on sprocket
For roller chains DIN 8187-ISO/R 606
20B 1 1/4"X3/4"

H=18.50mm

Z	O.D	PD	d	B	Mxn	Hub				
						Bush	TM/D,DS	TW	VM/D	VW
11	127.0	112.68	70			1615	TM 70	TW1615		
12	137.0	122.68	70			1615	TM 70	TW1615		
13	147.5	132.65	90			2012	TM 90	TW2012		
14	157.6	142.68	90			2012	TM 90	TW2012		
15	167.7	152.72	110			2517	TM 110	TW2517		
16	177.7	162.75	110			2517	TM 110	TW2517		
17	187.8	172.48	110			2517	TM 110	TW2517		
18	197.8	182.85	110			2517	TM 110	TW2517		
19	207.9	192.91	110			2517	TM 110	TW2517		
20	217.9	202.98	110			2517	TM 110	TW2517		
21	228.0	213.04	110	146	11.5x6	2517	TM 110	TW2517	VM110	VW2517
22	238.1	223.11	110	146	11.5x6	2517	TM 110	TW2517	VM110	VW2517
23	248.2	233.17	110	146	11.5x6	2517	TM 110	TW2517	VM110	VW2517
24	258.3	243.23	110	146	11.5x6	2517	TM 110	TW2517	VM110	VW2517
25	268.4	253.33	110	146	11.5x6	2517	TM 110	TW2517	VM110	VW2517
26	278.4	263.40	110	146	11.5x6	2517	TM 110	TW2517	VM110	VW2517
27	288.5	273.48	130	181	13.5x6	3020	TM 130	TW3020	VM130	VW3020
28	298.5	283.56	130	181	13.5x6	3020	TM 130	TW3020	VM130	VW3020
29	308.6	293.65	130	181	13.5x6	3020	TM 130	TW3020	VM130	VW3020
30	318.7	303.75	130	181	13.5x6	3020	TM 130	TW3020	VM130	VW3020
31	328.8	313.85	130	181	13.5x6	3020	TM 130	TW3020	VM130	VW3020
32	338.9	323.91	130	181	13.5x6	3020	TM 130	TW3020	VM130	VW3020
33	349.0	334.01	130	181	13.5x6	3020	TM 130	TW3020	VM130	VW3020
34	359.1	344.10	130	181	13.5x6	3020	TM 130	TW3020	VM130	VW3020
35	369.2	354.20	130	181	13.5x6	3020	TM 130	TW3020	VM130	VW3020
36	379.2	364.30	130	181	13.5x6	3020	TM 130	TW3020	VM130	VW3020
37	389.3	374.39	130	181	13.5x6	3020	TM 130	TW3020	VM130	VW3020
38	399.4	384.49	130	181	13.5x6	3020	TM 130	TW3020	VM130	VW3020
39	409.5	394.59	130	181	13.5x6	3020	TM 130	TW3020	VM130	VW3020
40	419.6	404.66	130	181	13.5x6	3020	TM 130	TW3020	VM130	VW3020
41	430.7	414.78	130	181	13.5x6	3020	TM 130	TW3020	VM130	VW3020
42	40.8	424.88	130	181	13.5x6	3020	TM 130	TW3020	VM130	VW3020
43	450.9	434.97	130	181	13.5x6	3020	TM 130	TW3020	VM130	VW3020
44	461.0	445.07	130	181	13.5x6	3020	TM 130	TW3020	VM130	VW3020
45	471.1	455.17	130	181	13.5x6	3020	TM 130	TW3020	VM130	VW3020
46	481.2	465.26	130	181	13.5x6	3020	TM 130	TW3020	VM130	VW3020
47	491.3	475.36	130	181	13.5x6	3020	TM 130	TW3020	VM130	VW3020
48	501.4	485.46	130	181	13.5x6	3020	TM 130	TW3020	VM130	VW3020
49	511.5	495.55	130	181	13.5x6	3020	TM 130	TW3020	VM130	VW3020
50	521.6	505.65	130	181	13.5x6	3020	TM 130	TW3020	VM130	VW3020
51	531.7	515.75	130	181	13.5x6	3020	TM 130	TW3020	VM130	VW3020
52	541.8	525.84	130	181	13.5x6	3020	TM 130	TW3020	VM130	VW3020
53	551.9	535.94	130	181	13.5x6	3020	TM 130	TW 3020	VM130	VW3020
54	562.0	546.07	130	181	13.5x6	3020	TM 130	TW 3020	VM130	VW3020
55	572.1	556.16	130	181	13.5x6	3020	TM 130	TW 3020	VM130	VW3020
56	582.2	566.26	130	181	13.5x6	3020	TM 130	TW 3020	VM130	VW3020
57	592.3	576.36	130	181	13.5x6	3020	TM 130	TW 3020	VM130	VW3020
58	602.4	586.45	130	181	13.5x6	3020	TM 130	TW 3020	VM130	VW3020
59	612.5	596.55	130	181	13.5x6	3020	TM 130	TW 3020	VM130	VW3020
60	622.6	606.65	130	181	13.5x6	3020	TM 130	TW 3020	VM130	VW3020

Welded-on sprocket
For roller chains DIN 8187-ISO/R 606
24B 1 1/2"X1"
H=24.10mm

Z	O.D	PD	d	B	Mxn	Hub				
						Bush	TM/D,DS	TW	VM/D	VW
12	161.0	147.22	90			2012	TM 90	TW 2012		
13	173.0	159.18	90			2012	TM 90	TW 2012		
14	185.0	171.22	110			2517	TM110	TW 2517		
15	197.0	183.26	110			2517	TM110	TW 2517		
16	209.0	195.30	130			3020	TM130	TW 3020		
17	221.0	207.34	130			3020	TM130	TW 3020		
18	233.0	219.42	130			3020	TM130	TW 2020		
19	245.5	231.49	130			3020	TM130	TW 3020		
20	257.5	243.57	130			3020	TM130	TW 3020		
21	270.5	255.65	130	181	13.5x6	3020	TM130	TW 3020	VM130	VW 3020
22	282.5	267.73	130	181	13.5x6	3020	TM130	TW 3020	VM130	VW 3020
23	294.5	279.80	130	181	13.5x6	3020	TM130	TW 3020	VM130	VW 3020
24	307.0	291.88	130	181	13.5x6	3020	TM130	TW 3020	VM130	VW 3020
25	319.0	304.00	130	181	13.5x6	3020	TM130	TW 3020	VM130	VW 3020
26	331.0	316.08	130	181	13.5x6	3020	TM130	TW 3020	VM130	VW 3020
27	343.0	328.19	130	181	13.5x6	3020	TM130	TW 3020	VM130	VW 3020
28	355.0	340.27	130	181	13.5x6	3020	TM130	TW 3020	VM130	VW 3020
29	367.5	352.38	130	181	13.5x6	3020	TM130	TW 3020	VM130	VW 3020
30	379.5	364.50	130	181	13.5x6	3020	TM130	TW 3020	VM130	VW 3020
31	391.5	376.62	130	181	13.5x6	3020	TM130	TW 3020	VM130	VW 3020
32	403.5	388.69	130	181	13.5x6	3020	TM130	TW 3020	VM130	VW 3020
33	415.5	400.81	130	181	13.5x6	3020	TM130	TW 3020	VM130	VW 3020
34	428.0	412.93	130	181	13.5x6	3020	TM130	TW 3020	VM130	VW 3020
35	440.0	425.04	130	181	13.5x6	3020	TM130	TW 3020	VM130	VW 3020
36	452.0	437.16	130	181	13.5x6	3030	TM130	TW 3030	VM130	VW 3030
37	464.0	449.27	130	181	13.5x6	3030	TM130	TW 3030	VM130	VW 3030
38	476.5	461.39	130	181	13.5x6	3030	TM130	TW 3030	VM130	VW 3030
39	488.5	473.50	130	181	13.5x6	3030	TM130	TW 3030	VM130	VW 3030
40	501.5	485.62	130	181	13.5x6	3030	TM130	TW 3030	VM130	VW 3030
41	513.5	497.94	130	181	13.5x6	3030	TM130	TW 3030	VM130	VW 3030
42	525.5	509.85	130	181	13.5x6	3030	TM130	TW 3030	VM130	VW 3030
43	538.0	521.97	130	181	13.5x6	3030	TM130	TW 3030	VM130	VW 3030
44	550.0	534.08	130	181	13.5x6	3030	TM130	TW 3030	VM130	VW 3030
45	562.0	546.20	130	181	13.5x6	3030	TM130	TW 3030	VM130	VW 3030
46	574.0	558.32	155	215	17.5x6	3535	TM155	TW 3535	VM155	VW 3535
47	586.5	570.43	155	215	17.5x6	3535	TM155	TW 3535	VM155	VW 3535
48	598.5	582.55	155	215	17.5x6	3535	TM155	TW 3535	VM155	VW 3535
49	610.5	594.66	155	215	17.5x6	3535	TM155	TW 3535	VM155	VW 3535
50	622.5	606.78	155	215	17.5x6	3535	TM155	TW 3535	VM155	VW 3535
51	635.0	618.89	155	215	17.5x6	3535	TM155	TW 3535	VM155	VW 3535
52	647.0	631.01	155	215	17.5x6	3535	TM155	TW 3535	VM155	VW 3535
53	629.0	643.13	155	215	17.5x6	3535	TM155	TW 3535	VM155	VW 3535
54	671.0	655.25	155	215	17.5x6	3535	TM155	TW 3535	VM155	VW 3535
55	683.5	667.40	155	215	17.5x6	3535	TM155	TW 3535	VM155	VW 3535
56	695.5	679.50	155	215	17.5x6	3535	TM155	TW 3535	VM155	VW 3535
57	707.5	691.63	155	215	17.5x6	3535	TM155	TW 3535	VM155	VW 3535
58	719.5	703.74	155	215	17.5x6	3535	TM155	TW 3535	VM155	VW 3535
59	731.5	715.86	155	215	17.5x6	3535	TM155	TW 3535	VM155	VW 3535
60	745.0	727.97	155	215	17.5x6	3535	TM155	TW 3535	VM155	VW 3535
70	866.0	849.21	155	215	17.5x6	3535	TM155	TW 3535	VM155	VW 3535
72	890.5	873.48	155	215	17.5x6	3535	TM155	TW 3535	VM155	VW 3535
80	987.5	970.44	155	215	17.5x6	3535	TM155	TW 3535	VM155	VW 3535

Welded-on sprocket

Installation Diagram for Combinatory Sprockets

Hubs	Platewheels	Combinatory Sprockets	Spacers
 TM TM-FB			
 TMD TMD-FB			
 TMDS			
 TW			
 VM			
 VM VM-FB			
 VW			



劲普机械

Jinpu Mechanical

Address: Room 417-1, Building 8, No. 5-4 Yunhe Road, Chongxian Street,
Yuhang District, Hangzhou City, Zhejiang Province, China.

Tel: 86-(0)571-88277778

Fax: 86-(0)571-85853285

E-mail: info@jpmach.com

Website: www.jpmach.com