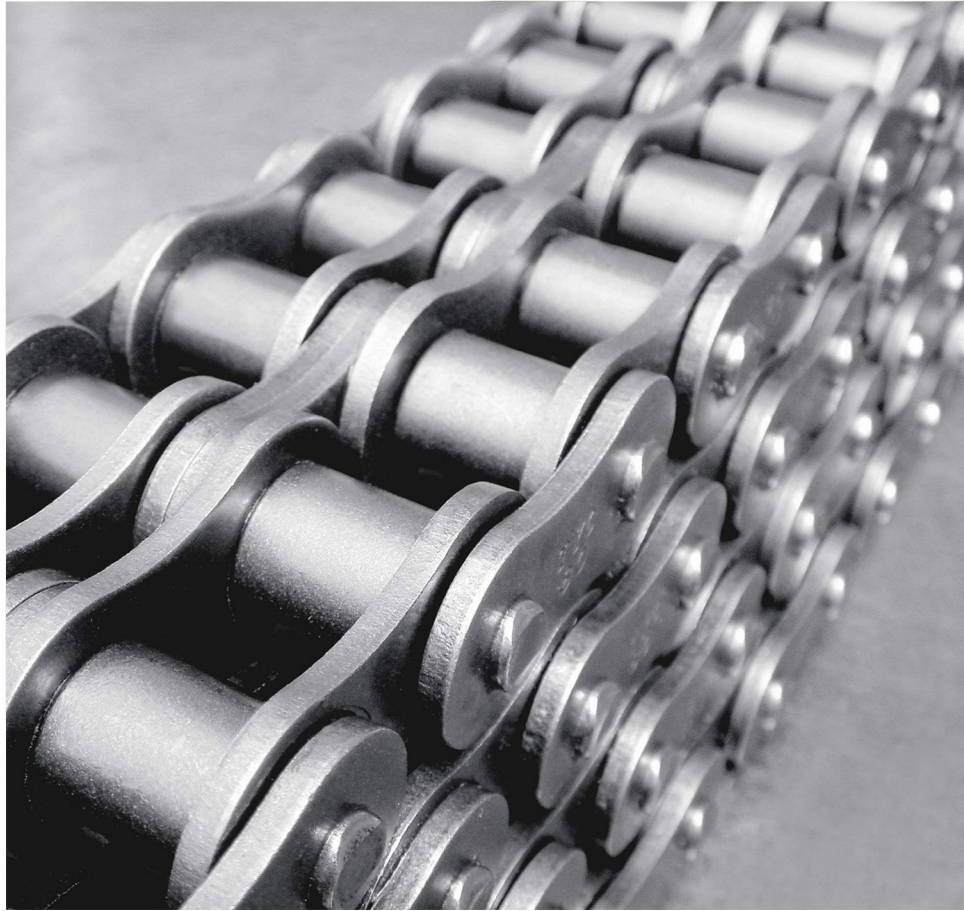




劲普机械

Jinpu Mechanical

Large Pitch Conveyor Chains



杭州劲普传动机械有限公司

Hangzhou Jinpu Transmission Mechanical Co., Ltd

[www.jpmach.com](http://www.jpmach.com)

中国·浙江

ZHEJIANG CHINA



## 公司简介 COMPANY PROFILE

---

Jinpu, An Enterprise in Zhejiang China, is established over 10 years, 50~100 staff, and an area coverage of 5,000+ square meters for 2 manufacturing plants. Our business scope covers manufacturing Sprocket, Gear, Timing Belt Pulley, Taper Bush, Industrial Chain, mainly focus on non-standard machining parts base on customers' drawings.

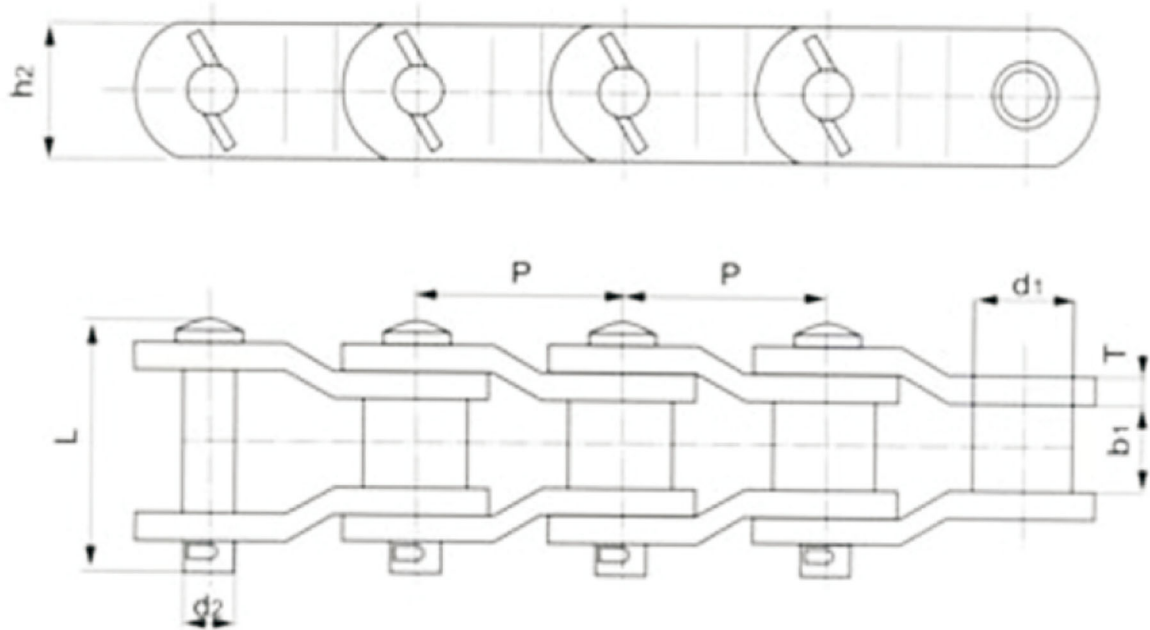


## 大规格输送链

Long pitch conveyor chains

重载弯板滚子链

Overloaded curved plates roller chain



Vision Chain No.	节距	内节内宽	滚子直径	链板高度	链板厚度	销轴长度	销轴直径	抗拉强度	每米长重
	Pitch	Width between inner plates	Roller diameter	Inner plate depth	Plate thickness	Pin length	Pin diameter	Tensile Strangth	Weight per meter
	P	b1 min	d1 max	h2 max	t/T max	L max	d2 max	q min	q
	mm	mm	mm	mm	mm	mm	mm	mm	kg/m
2010	63.50	38.10	31.75	47.80	7.90	90.70	15.90	262	14.0
2510	78.10	31.75	36.90	40.00	8.00	94.80	16.00	271	10.7
2512	77.90	39.60	41.28	57.00	9.70	103.40	19.08	378	18.0
2814	88.90	38.10	44.40	60.50	12.70	117.60	22.25	516	25.0
3315	103.45	49.30	45.24	63.50	14.20	134.60	23.85	596	27.0
3618	114.30	52.30	57.15	79.20	14.20	141.20	27.97	814	38.0
4020	127.00	69.90	63.50	91.90	15.70	168.10	31.78	1054	52.0
4824	152.40	76.20	76.20	104.6	19.00	187.50	38.13	1521	68.0
WG/WB系列参数 WG/WB Serial Data									
Wg781	78.18	38.1	33.0	45	10.0	97	17	313.6	16
Wg103	103.2	49.2	46.0	60	13.0	125.5	23	539	26
Wg140	140	80.0	65.0	90	20.0	187	35	1176	59.2
Wb9525	95.25	39.0	45.0	65	16.0	124	23	635	22.2
Wb7900	79	39.0	31.5	54	9.5	93.5	18.5	381	12.8
Wb7938	79.38	41.2	40.0	57.2	9.5	100	19.5	509	18.7
Wb238	88.9	36.8	44.4	57.2	12.7	113.4	22.15	501.4	25.4
Wb1207	127	68.3	63.5	88.9	15.7	158.3	31.75	1044	53.1

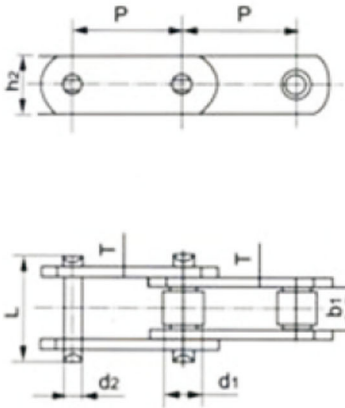
## 大规格输送链

Long pitch conveyor chains

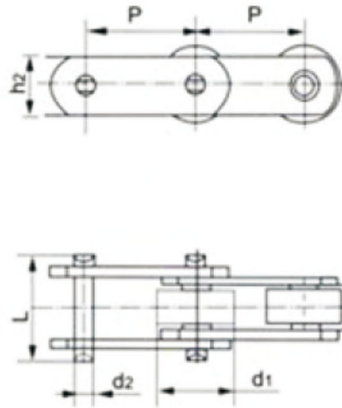
米制长节距输送链

Metric pitch conveyor chain length

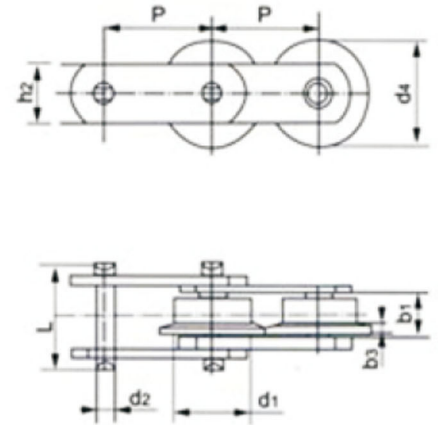
"S"型滚子  
Small Roller



"P"型滚子  
Plain Roller



"F"型滚子  
Flanged Roller



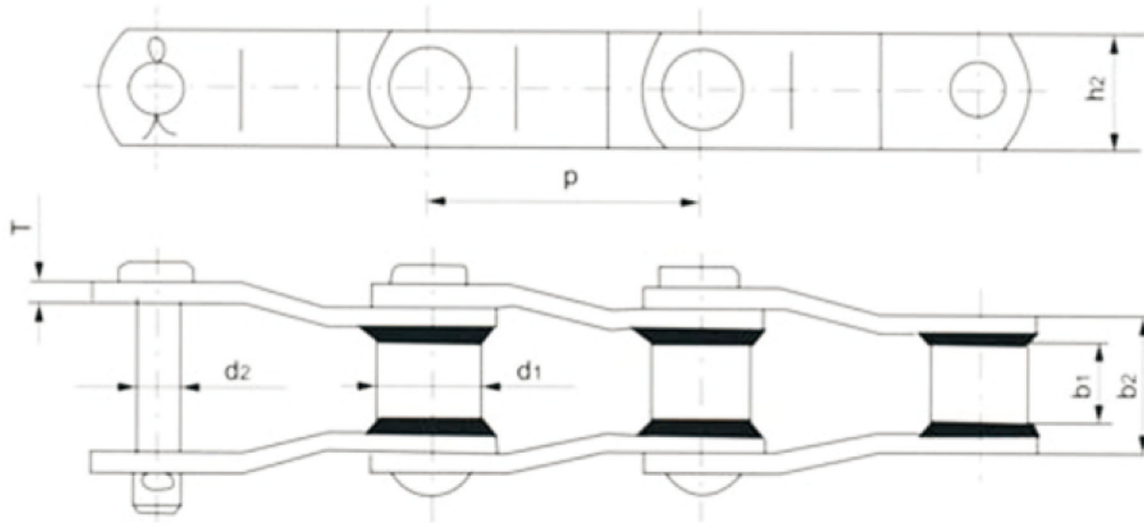
Vision Chain No.	节距 Pitch		内节内宽 Width between inner plates	销轴直径 Pin diameter	销轴长度 Pin length	S型滚子直径 Diameter of Small Roller	P型滚子直径 Diameter of Pmax Roller	F型滚子 Flanged Roller		链板高度 Inner plate depth	抗拉强度 Tensile Strength
	P							边缘直径 Diameter of Edge	边缘直径 Diameter of Edge		
	mm	mm						d1 max	d1 max		
M20	40 50 63 80 100 125 160		15	6	30	12.5	25	35	35	19	20
M28	50 63 80 100 125 160 200		17	7	35	15	30	40	40	21	28
M40	63 80 100 125 160 200 250		19	8.5	40	18	36	45	45	26	40
M56	63 80 100 125 160 200 250		23	10	45	21	42	55	55	31	56
M80	80 100 125 160 200 250 315		27	12	53	25	50	65	65	36	80
M112	80 100 125 160 200 250 315		31	15	62	30	60	75	75	41	112
M160	100 125 160 200 250 315 400		36	18	73	36	70	90	90	51	160
M224	125 160 200 250 315 400 500		42	21	85	42	85	105	105	62	224
M315	160 200 250 315 400 500 630		47	25	98	50	100	125	125	72	315
M450	200 250 315 400 500 630 800		55	30	112	60	120	150	150	82	450
M630	250 315 400 500 630 800 1000		65	36	135	70	140	175	175	103	630
M900	250 315 400 500 630 800 1000		76	44	154	85	170	210	210	123	900
FM10100	100		30	14.29	64.4		50			38	112.7
FM10500	150		22	11.1	51	22.2	40			32	68.6
FM5100	100		22.2				40	50	50	32	68.6
FM5150	150		22.2	11.1	51		40	50	50	32	68.66
FM3100	100		16.1	7.94	34		31.8			22	29.4
FM3075	75		16.1	7.94	34		31.8			22	29.4

## 大规格输送链

Long pitch conveyor chains

窄系列焊接弯板链

Narrow series welded chain bending



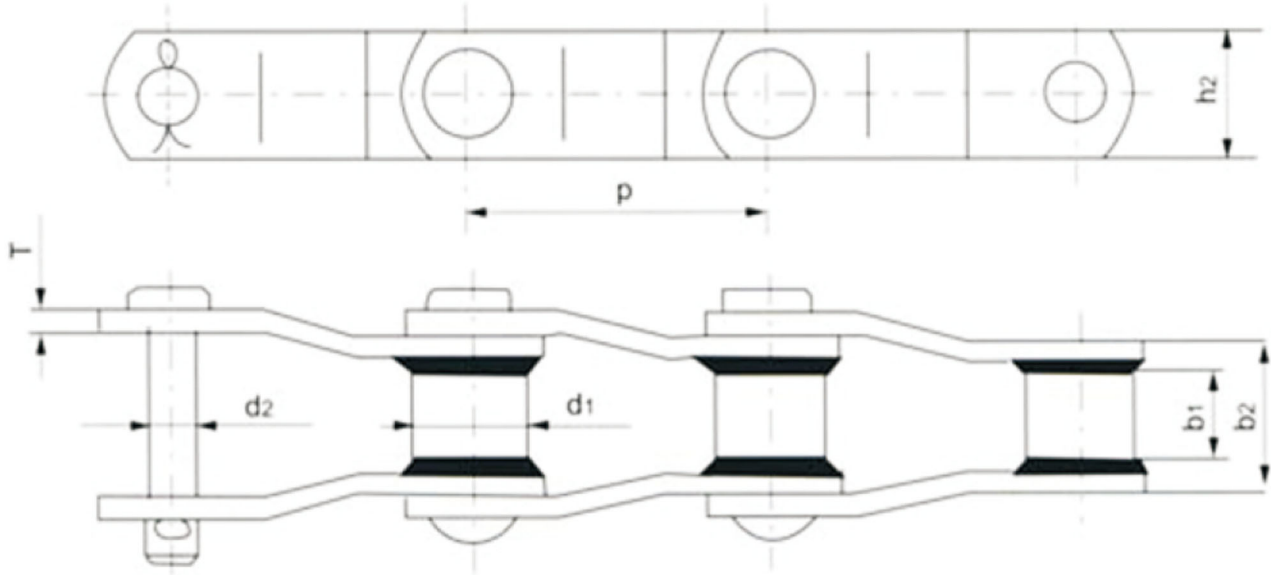
Vision Chain No.	节距	套筒外径	销轴直径	链板高度	小端内宽	小端外宽	链板厚度	抗拉强度	每米长重
	Pitch	Diameter Of Busing	Pin diameter	Inner plate depth	Inner Width Of Close End	Outer Width Of Close End	Plate thickness	Tensile Strangth	Weight per meter
	P	d <sub>max</sub>	d <sub>max</sub>	h <sub>2</sub> max	b <sub>max</sub>	b <sub>2</sub> max	t/T max	q min	q
	mm	mm	mm	mm	mm	mm	mm	mm	kg/m
Wh78	66.27	22.23	12.7	28.4	28.4	51	6.4	150	5.9
DWR78	66.27	21.2	14.28	32	28.4	51	6.4	130	6.4
DWH78	66.27	21.2	14.28	32	28.4	51	6.4	170	6.4
WR78B	66.27	22.2	12.7	28.4	28.6	51	6.4	93.4	5.9
WR78H	66.95	25.4	14.27	32	25.4	51	9.5	127	12.7
WH78H	66.95	25.4	14.24	32	25.4	51	9.5	158	12.7
WH78C	66.27	22.5	12.7	28.4	28.6	52.3	7	180	7.1
WR78SS	66.27	21.2	12.7	28.4	28	52.3	7	85	7.1
Wr82	78.10	27	14.29	32	44	57	6.4	93.4	5.8
WH82R	78.10	25.4	14.29	32	44	57	6.4	150	5.75
WH82X	78.10	31.78	19.05	38.1	50.15	60.3	9.5	169	15.6

## 大规格输送链

Long pitch conveyor chains

窄系列焊接弯板链

Narrow series welded chain bending



Vision Chain No.	节距	套筒外径	销轴直径	链板高度	小端内宽	小端内宽	链板厚度	抗拉强度	每米长重
	Pitch	Diameter Of Busing	Pin diameter	Inner plate depth	Inner Width Of Close End	Outer Width Of Close End	Plate thickness	Tensile Strangth	Weight per meter
	P	d <sub>max</sub>	d <sub>max</sub>	h <sub>max</sub>	b <sub>max</sub>	b <sub>max</sub>	t/T <sub>max</sub>	q <sub>min</sub>	q
	mm	mm	mm	mm	mm	mm	mm	mm	kg/m
WHX124	101.6	36.5	19.05	38.41	41.3	70	9.5	224.6	12.6
WHX124(H)	101.6	36.5	19.05	38.1	41.3	70	9.5	224.6	12.6
WHX132	153.67	44.45	25.25	50.8	77.1	117.76	12.7	378	20.5
WHX132(H)	153.67	44.45	25.25	50.8	77.1	117.76	12.7	378	20.5
WHX150	153.67	44.45	25.25	63.5	77.1	117.76	12.7	398	24.5
WHX150(H)	153.67	44.45	25.25	63.5	77.1	117.76	12.7	398	24.5
WHX155	153.67	44.45	28.42	63.5	73.6	117.25	14.27	411	27.7
WHX155(H)	153.67	44.45	28.42	63.5	73.6	117.25	14.27	411	27.7
WHX157	153.67	44.45	28.52	63.5	76.4	117.35	15.88	552	29.1
WHX157(H)	153.67	44.45	28.52	63.5	76.4	117.35	15.88	552	29.1
WHX124P	103.2	44.45	25.25	50.8	38.1	76.2	12.7	378	27.9
WR124R	101.6	36.5	19.05	38.1	41.3	70	9.5	169	12.6
WHX111	120.9	36.5	19.05	38.1	57.15	84.8	9.5	224.6	11.9

注：链号尾部(H)的为销轴端部而呈“0”型

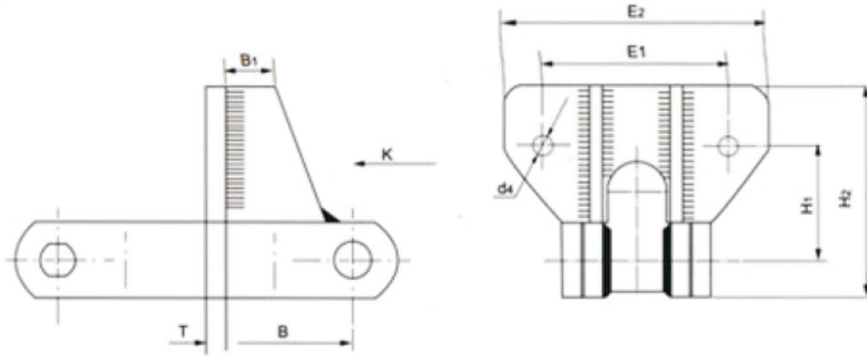
Note: chain number tail (H) for pin shaft ends the angled "o" type

## 大规格输送链

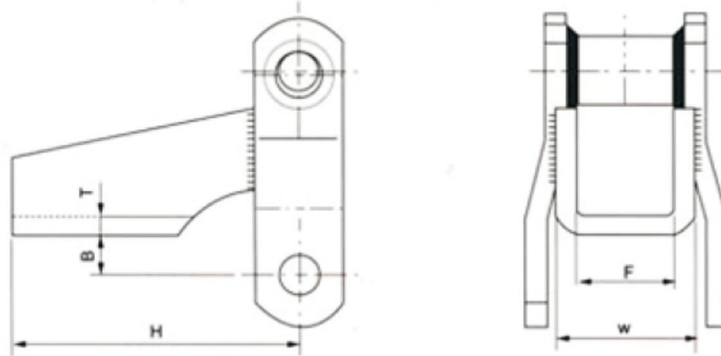
Long pitch conveyor chains

窄系列焊接链及配件

The narrow series welding chain and accessories



Vision Chain No.	H <sub>1</sub> mm	H <sub>2</sub> mm	E <sub>1</sub> mm	E <sub>2</sub> mm	d <sub>4</sub> mm	B mm	B <sub>2</sub> mm	T mm
WH78	55	110	98	135	10	66	32	10



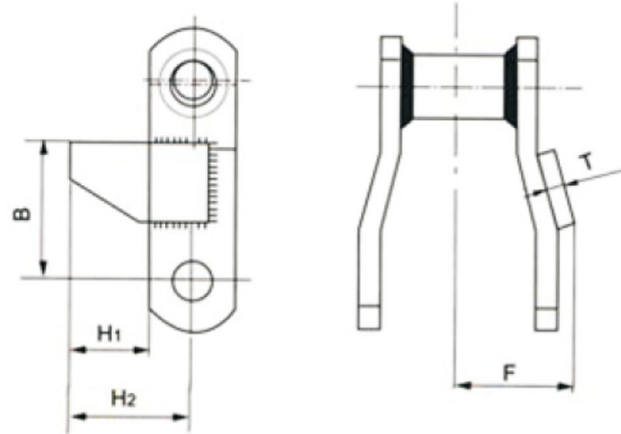
Vision Chain No.	B mm	F mm	H mm	T mm	W mm
WH78	12.7	31.7	92.2	6.4	44.5
WH82	16	38	92.2	6.4	50.8

## 大规格输送链

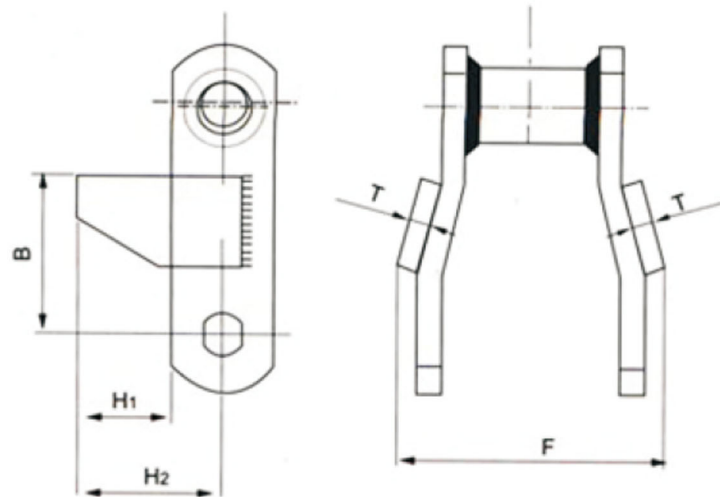
Long pitch conveyor chains

窄系列焊接链及配件

The narrow series welding chain and accessories



Vision Chain No.	B mm	F mm	H <sub>1</sub> mm	H <sub>2</sub> mm	T mm
WH78	55.4	41.4	31.85	47.75	6.4
WHX124	69.1	54.9	28.7	47.75	9.5



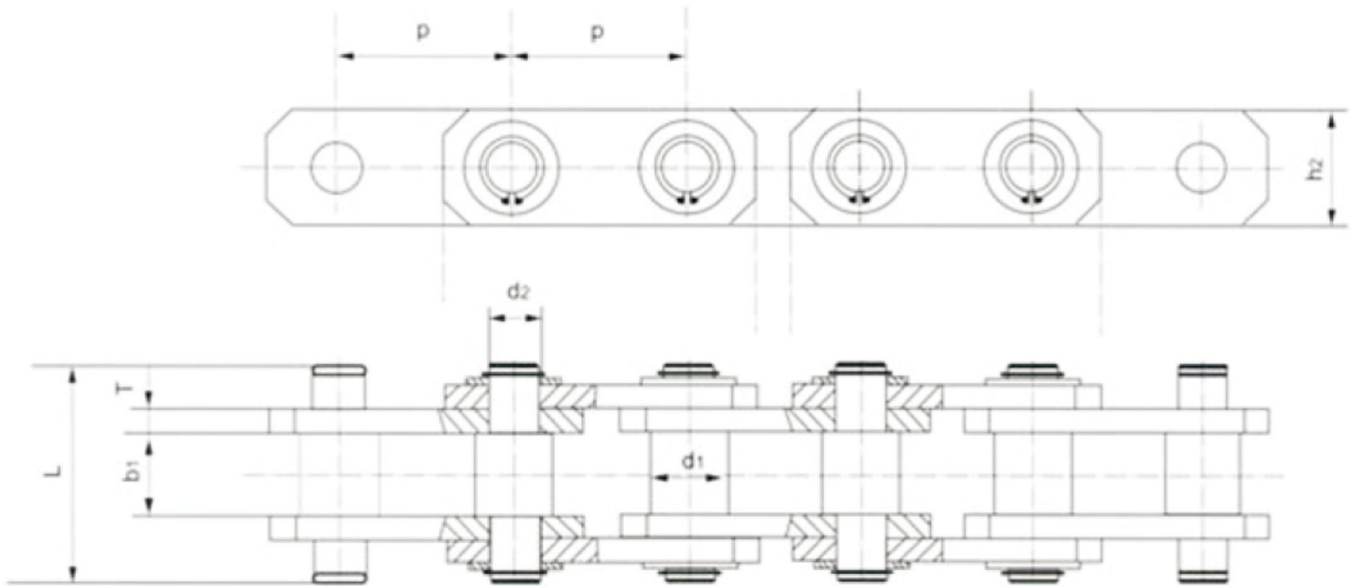
Vision Chain No.	B mm	F mm	H <sub>1</sub> mm	H <sub>2</sub> mm	T mm
WH78	55.4	82.8	31.85	47.75	6.4
WHX124	69.1	109.8	28.7	47.75	9.5



## 大规格输送链

Long pitch conveyor chains

钢材冷拔机连  
Steel drawing machine chains



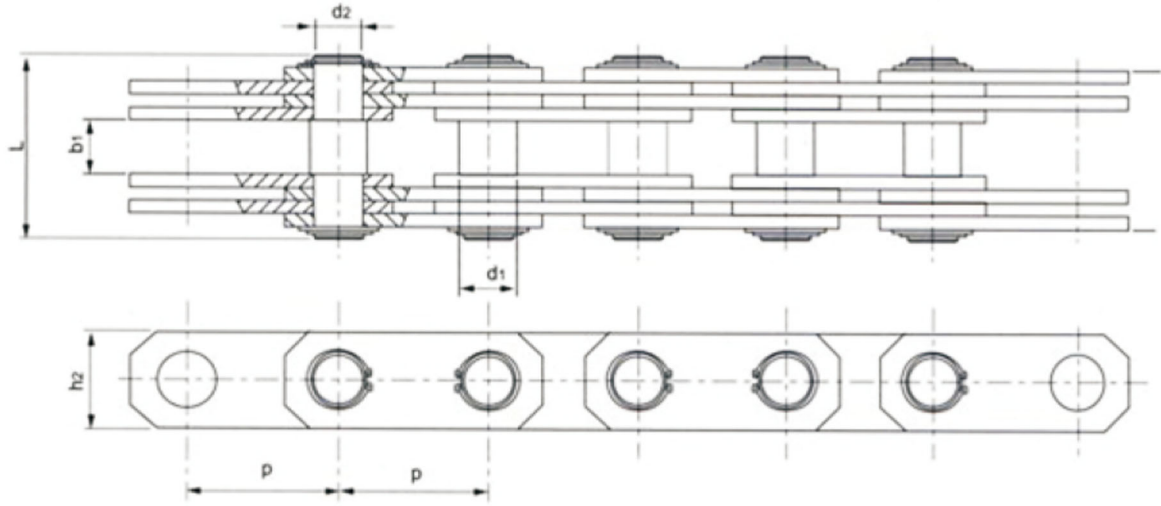
吨位 Tonnage	节距 Pitch	板厚 Thickness of Sidebar	板宽 Width of Sidebar	链板组合 Combination of Sidebars	滚子直径 Roller diameter		内宽 Inner Width	销轴长度 Pin length
	P	T	H <sub>2</sub>		n×n	d1 max	d2 max	B <sub>1</sub> min
			mm	mm	mm	mm	mm	mm
10T	103.2	16	50	2×2	36	44	50	137
10T	100	20	57	2×2	40	48	50	132
15T	100	18	69.8	2×2	40	48	50	122
10T	120	14	110	2×2	40	48	50	122
20T	120	25	57.15	2×2	50	68	56	176

## 大规格输送链

Long pitch conveyor chains

钢材冷拔机连

Steel drawing machine chains



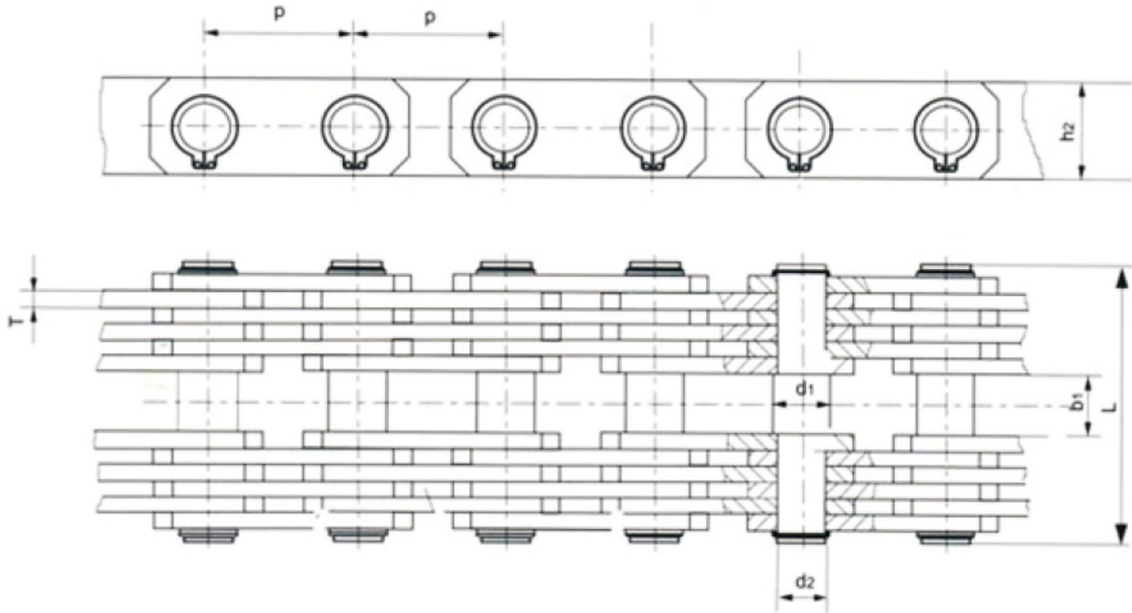
Vision Chain No.	节距	内节内宽	销轴直径		销轴长度	链板高度	链板厚度	链板组合	许用工作张力
	Pitch	Width between inner plates	Pin diameter		Pin length	Inner plate depth	Plate thickness	Combination of Sidebars	Allowed Work tension
	P	b1 min	d2 max	d1 max	L max	h2 max	t/T max	n x n	KN
	mm	mm	mm	mm	mm	mm	mm	mm	KN
HGLB80	80	50	35	40	166	80	12	4×4	10
HGLB100	100	60	35	40	178	80	12	4×4	10
HGLB100	120	53	40	48	170	100	12	4×4	20
HGLB120	120	53	35	40	170	80	12	4×4	10
HGLB120	120	60	40	50	160	100	10	4×4	10
HGLB140	140	65	55	63	192	120	12	4×4	20
HGLB140	140	70	55	65	226	120	16	4×4	30
HGLB180	180	66	60	70	223	120	16	4×4	30
HGLB180	180	75	60	70	275	120	20	4×4	40
HGLB190	190	80	60	70	280	130	20	4×4	50
HGLB200	200	90	60	69	288	130	20	4×4	50
HGLB200	200	85	65	74	240	130	16	4×4	40
HGLB250	250	100	75	84	272	120	20	4×4	45
HGLB250	250	108	70	80	307	150	22	4×4	70
HGLB250	250	100	75	88	332	150	22	4×4	80
HGLB280	280	115	100	118	351	200	25	4×4	100

## 大规格输送链

Long pitch conveyor chains

钢材冷拔机连

Steel drawing machine chains



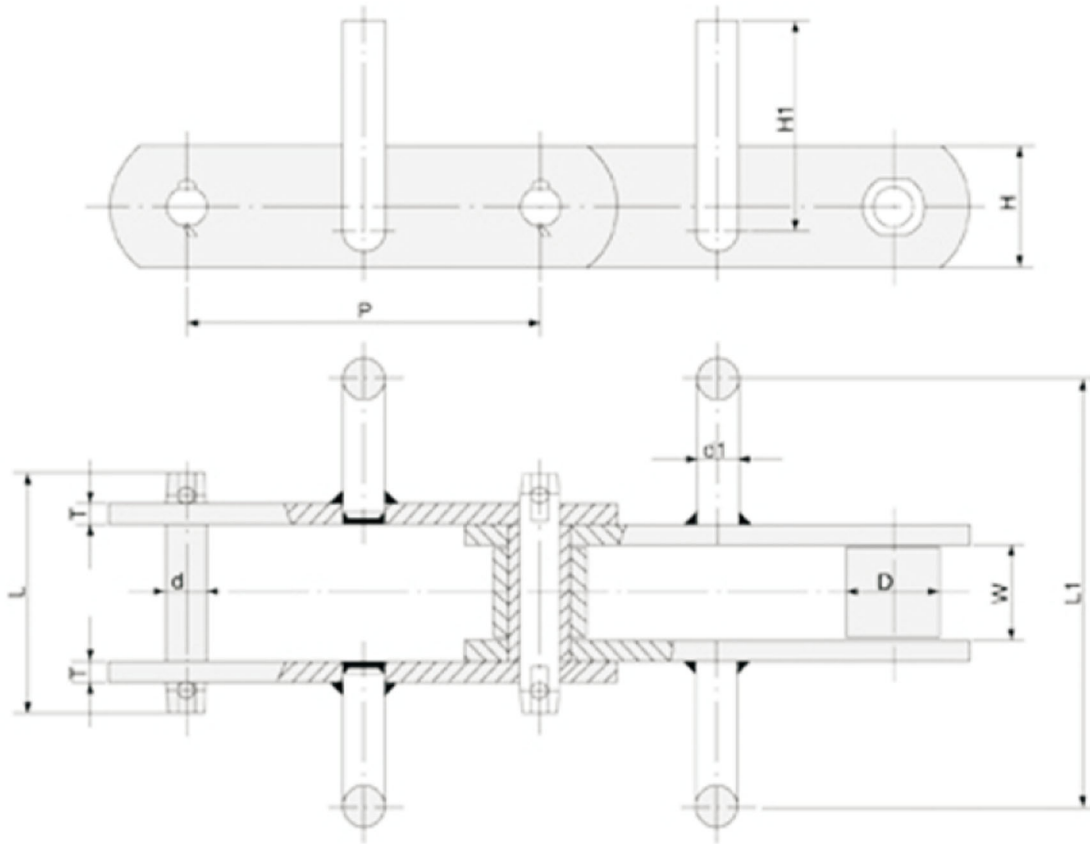
Vision Chain No.	节距	内节内宽 Width between inner plates	销轴直径 Pin diameter		销轴长度	链板高度	链板厚度	链板组合 Combination of Sidebars	抗拉强度
	Pitch		d2 max	d1 max	L max	h2 max	t/T max		q min
	P	b1 min	mm	mm	mm	mm	mm	mm	ntm
KGLB180	180	80	70	80	314	120	16	6×6	50T
HGLB190	190	92	70	80	326	120	16	6×6	50T
HGLB250	250	110	85	95	362	190	18	6×6	120
HGLB250	250	108	90	80	382	150	20	6×6	100
HGLB350	300	120	100	118	405	200	20	6×6	150T
HGLB350	300	145	100	108	425	200	20	6×6	150T

## 大规格输送链

Long pitch conveyor chains

Fu机型输送链

FU type conveyor chains



Vision Chain No.	节距	滚子直径	销轴直径	销轴长度	内节内宽	链板	链钩高	链钩直径	链宽
	Pitch	Roller diameter	Pin diameter	Pin length	Width between inner plates	Sidebar	Hook Beight	Hook Diameter	Width of Sidebar
	P	d1 max	d2 max	L max	b1 min	H×T	H1	d1	L1
	mm	mm	mm	mm	mm	mm	mm	mm	mm
FU150	101.6	26.5	11.5	70	27	35×6	48	12	123
FU200	152.4	36	15.5	90	36.5	50×8	65	16	159
FU270	152.4	36	15.5	90	36.5	50×8	85	16	226
FU350	200	44.5	19.1	120	51.8	60×10	123	20	290
FU410	200	44.5	19.1	120	51.8	60×10	148	20	350
FU500	300	63.5	31.75	146	67.4	90×12	180	22	442
FU600	300	48.5	22.2	126	57.6	75×10	215	25	540
FU350 (强力)	200	48.5	22.2	126	57.6	75×10	123	20	290
Fu410 (强力)	200	48.5	22.2	126	57.6	75×10	148	20	350

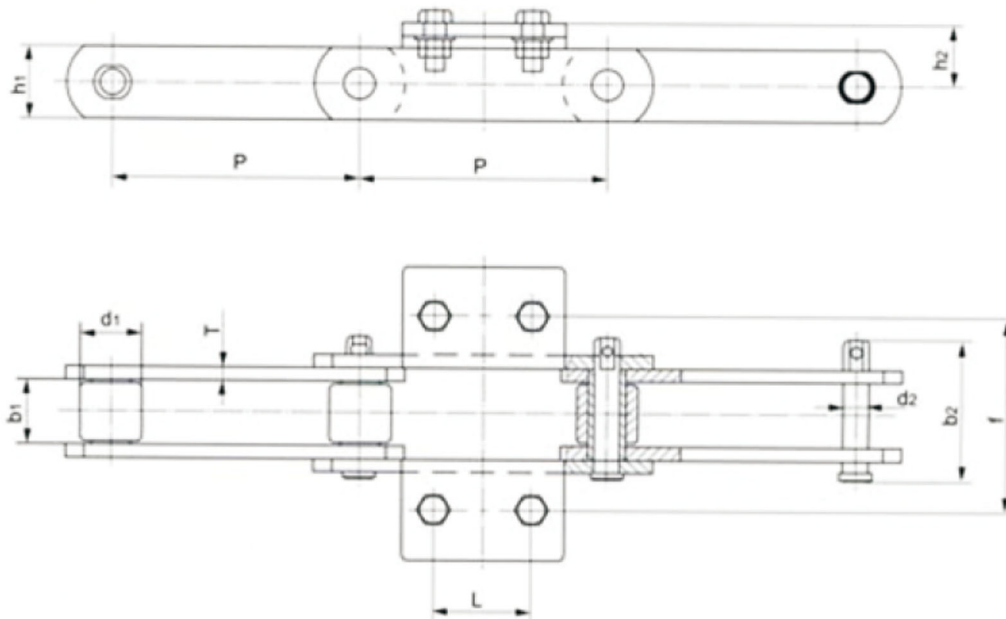
## 大规格输送链

Long pitch conveyor chains

弯附板式提升机链(水泥链)

Chain hoist attached to plate bending (cement chain)

埋刮板链适用于粉末状、颗粒状及小块状的水泥、粉尘、谷物、砂石和煤炭等散装物料的运输设备。  
 The Buried Scraper Chain is suitable for conveyor device used in bulk materials such as cement, powder, grain powder, sand and coal in powder, pellet or small styles.

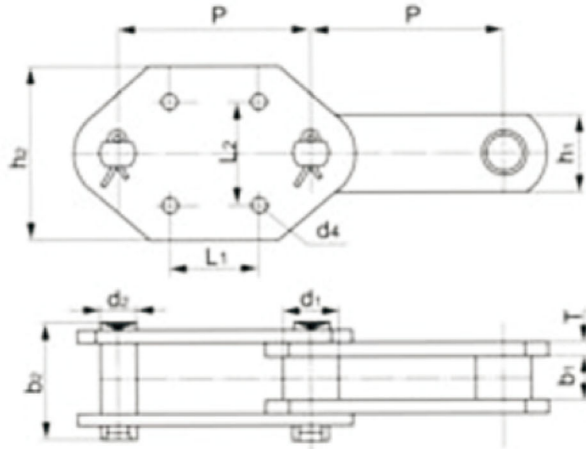


链号 Chain No.	节距 Pitch	内节内宽 Inner Width of Inner Link	滚子直径 Diameter of Roller	链板高度 Height of Sidebar	链板厚度 Thickness of Sidebar	销轴长度 length of Pin	销轴直径 Diameter of Pin	附件尺寸 Dimensions Attachent			抗拉强度 Tensile Strength
	P	B <sub>i</sub> (min)	d <sub>i</sub> (max)	h <sub>1</sub>	T	b <sub>2</sub>	d <sub>2</sub>	L	f	h <sub>2</sub>	Q (min)
	mm	mm	mm	mm	mm	mm	mm	mm	mm	mm	KN
DT-10	100.0	20.5	44	26	4	42	9.54	40	69	25	82.0
DT-15A	101.6	15.7	38.1	26	4	37.1	9.54	40	6.35	22.3	82.0
DT-15B	101.6	31	44.45	38	7.9	75.5	15.88	40	110	35	140.0
DT-50	160.0	33.7	38.0	50	8	82.5	15.88	60	130	50	240
DT-35	160.0	36	37.5	40	6	73.0	15.88	60	130	35	180.0
DT-30D	152.4	37	38.1	45	8	86.6	16.0	60	120	37.5	224.0
DT-30A	152.4	40	38.1	45	8	89.6	16.0	60	120	37.5	224.0
DT-200.0		57.6	48.5	75	10	126	22.2	80	160	40	400.0
DT-200	250.0	67.4	63.5	90	12	146	31.25	120	200	75	580.0

## 大规格输送链

Long pitch conveyor chains

### 斗式提升机链(水泥链) Bucket Elevator Chain (cement chain)



斗式提升机链主要用于矿山、冶金、水泥、筑路行业的斗式提升机设备。

The bucket chain is mainly used in bucket lifter used in mine, metallurgy, cement and road making industries.

链号 Chain No.	节距 Pitch	滚子直径 Diameter of Roller	销轴直径 Diameter of Pin	销轴长度 length of Pin	内节内宽 Inner Width of Inner Link	链板厚度 Thickness of Sidebar	链板高度 Height of Sidebar	附板高度 Height of Attached Sidebar	抗拉强度 Tensile Strength
	P mm	D <sub>1</sub> (max) mm	D <sub>2</sub> mm	B <sub>2</sub> mm	B <sub>1</sub> (min) mm	T mm	h <sub>2</sub> mm	H <sub>2</sub> mm	Q (min) KN
NE15-101.6	101.60	26.5	11.50	70	27.0	6	35	35.0	128.1
NE30-152.40	152.40	35.0	15.50	90	36.5	8	50	50.0	245.0
NE50-152.40	152.40	35.0	15.50	90	36.5	8	50	110.0	245.0
NE100-200	200.00	42.0	19.10	120	51.8	10	60	125.0	375.0
NE150-200	200.00	48.5	22.23	120	57.8	10	60	125.0	375.0
NE300-250	250.00	70	35	165	75	16	100	150.0	450.0
NE300-250	250.00	63.5	31.75	146	67.4	12	90	150.0	450.0
NP152.4	152.40	357	15.88	88	38	7.9	45	105	245.0
Fe13600	152.40	35	15.88	86	36.5	7.9	45	120	245.0

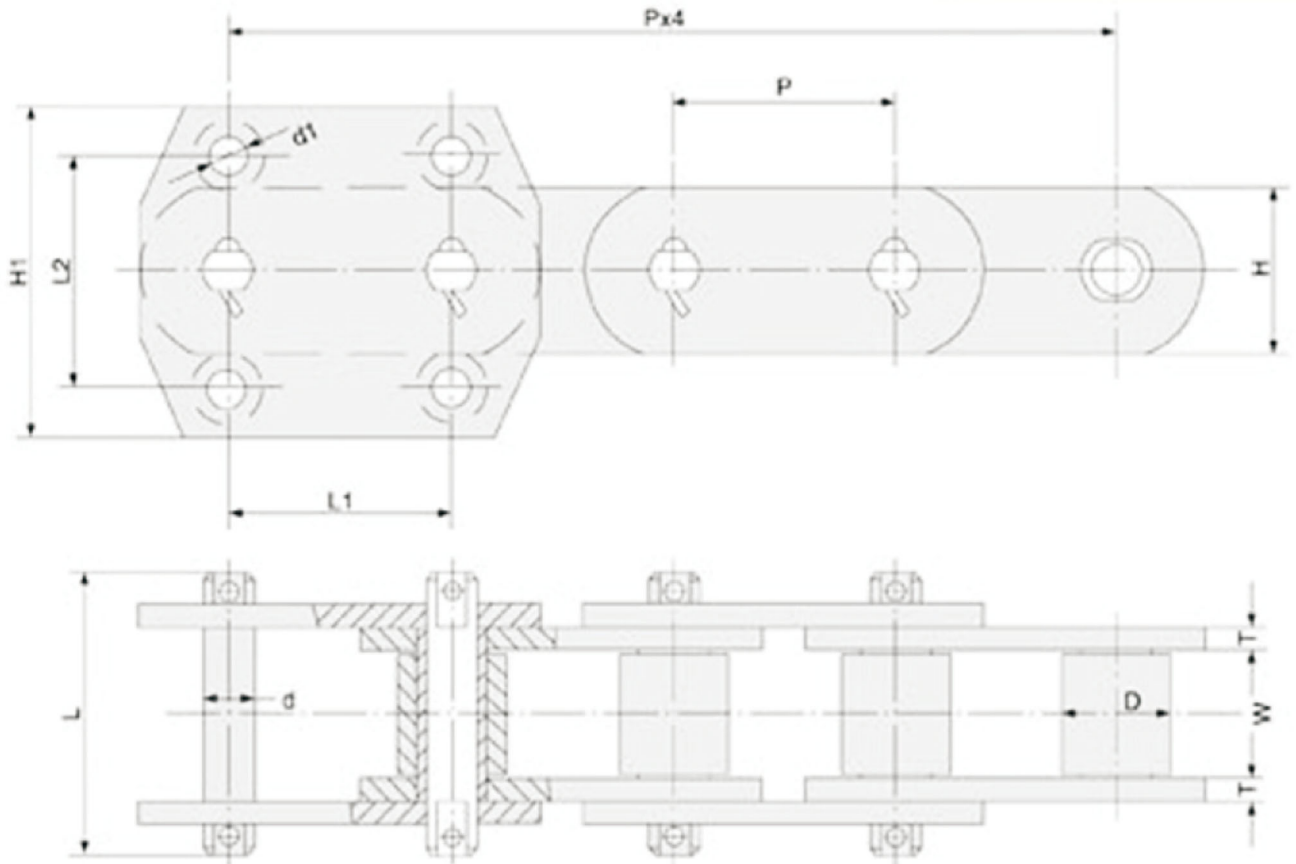
### 附件尺寸 Dimensions of Attachment

链号Chain No.	D <sub>4</sub>	L <sub>1</sub>	L <sub>2</sub>
NE15-101.6	10	50	50
NE30-152.4	15	75	70
NE50-152.4	15	75	70
NE100-200	15	75	70
NE150-200	18	100	80
NE300-250A	18	140	100
NE300-250A	20	140	100
NP152.4	15	75	70
Fe12600	15	75	70

## 大规格输送链

Long pitch conveyor chains

NSE提升机链  
NSE hoisting chains



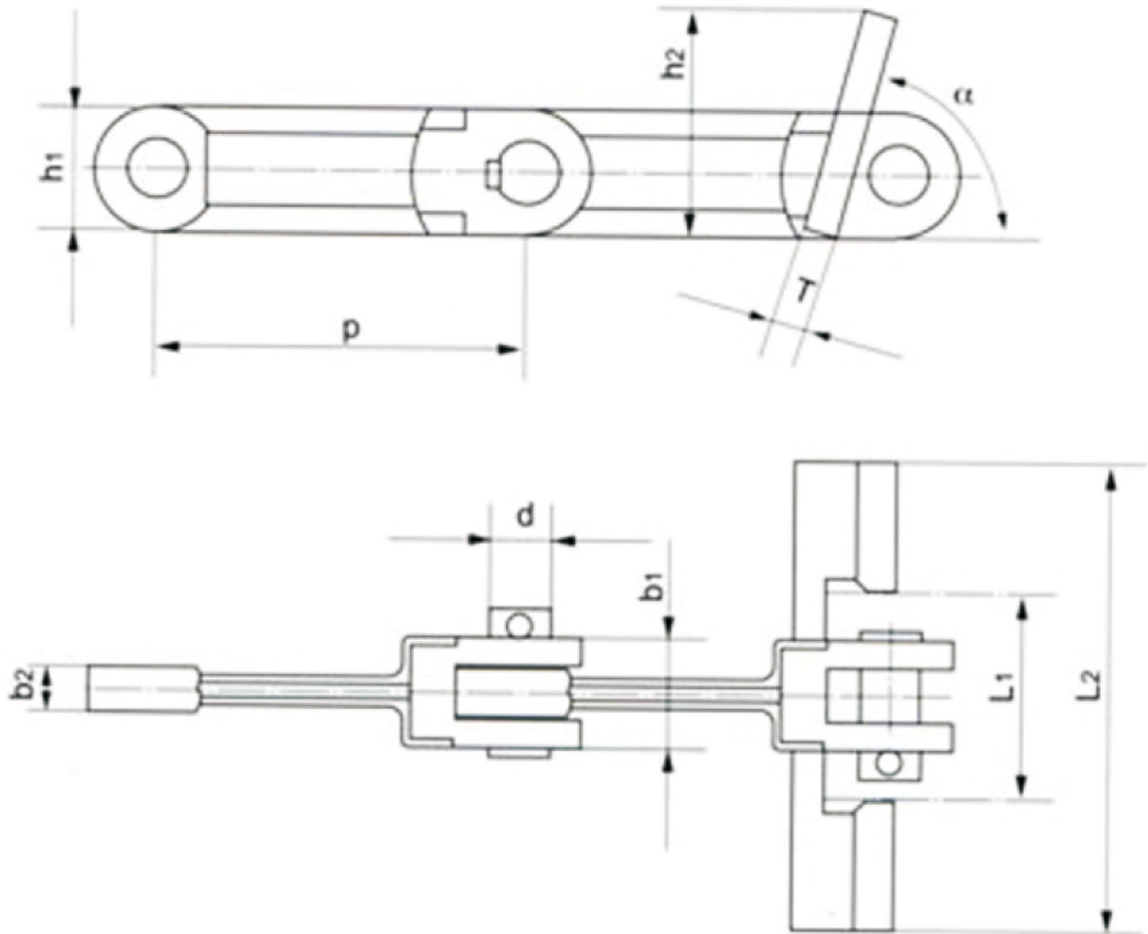
Vision Chain No.	节距	滚子直径	销轴直径	销轴长度	内节内宽	链板	龟板宽	安装孔	孔径
	P	D	d	L	W	H×T	H1	L1×L2	d1
	mm	mm	mm	mm	mm	mm	mm	mm	mm
NSE050	76.2	36	15.5	90	36.5	50×8	125	75×80	14
NSE100 200	100	44.5	19.1	120	51.8	60×10	150	100×105	18
NSE300	100	48.5	22.2	126	57.6	75×10	150	100×105	18
NSE400 500	125	63.5	31.75	146	67.4	80×12	180	125×130	18
NSE600	125	70	35	170	75	100×16	180	125×130	18
NSE700 800	150	85	48	185	80	125×16	228	150×165	22

## 大规格输送链

Long pitch conveyor chains

模锻刮板链

Forging Scraper chains



链号 Chain No.	节距 Pitch	链板高度 Height of Sidebar	链板厚度 Thickness of Sidebar		销轴直径 Diameter of Pin	刮板尺寸 Dimensions of Scraper					抗拉强度 Tensile Strength
			B <sub>1</sub>	B <sub>2</sub>		L <sub>1</sub>	L <sub>2</sub>	H <sub>2</sub>	α	T	
	P	H <sub>2</sub>	B <sub>1</sub>	B <sub>2</sub>	D <sub>2</sub>	L <sub>1</sub>	L <sub>2</sub>	H <sub>2</sub>	α	T	Q (min)
	mm	max	mm	mm	mm	mm	mm	mm	mm	mm	KN
YD640A	142	48	42	18	23	-	300	48	75°	14	230.0
YD640C	142	50	54	22	25	80	590	50	90°	14	262.4
YD640D	142	50	54	22	25	90	590	82	90°	14	262.4
YD200	150	40	38	16	18	-	177	40	75°	8	162.0
YD310	200	46	44	20	20	-	280	46	75°	12	162.0

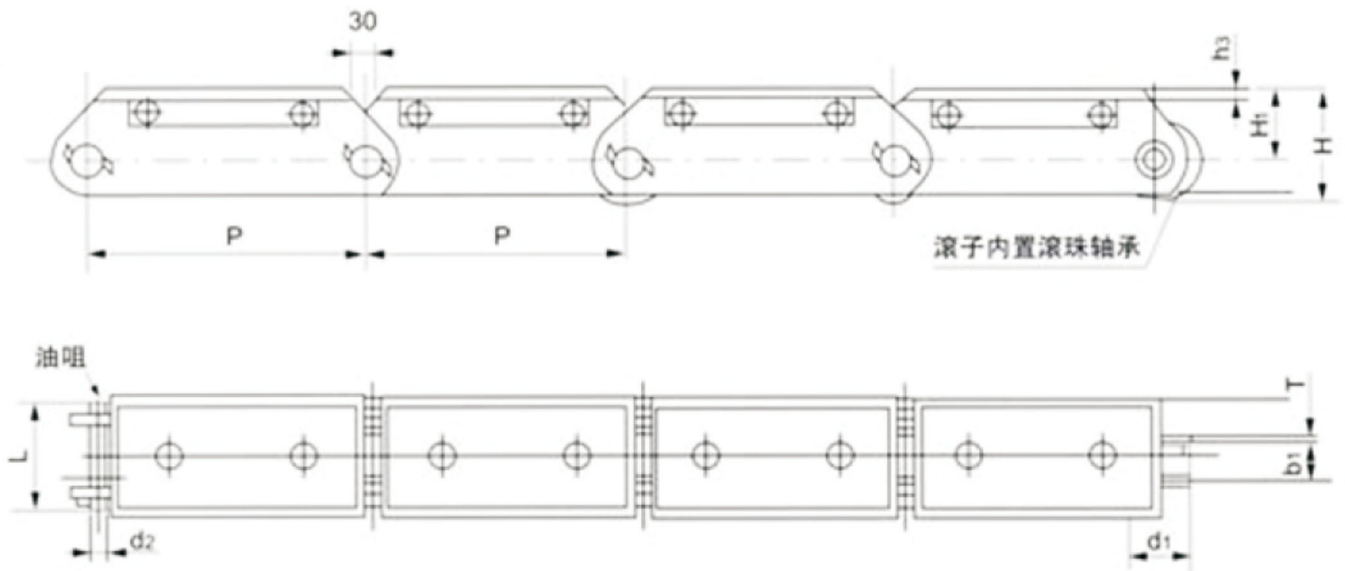


## 大规格输送链

Long pitch conveyor chains

冶金行业驮载链

Metallurgical industry pack containing chain

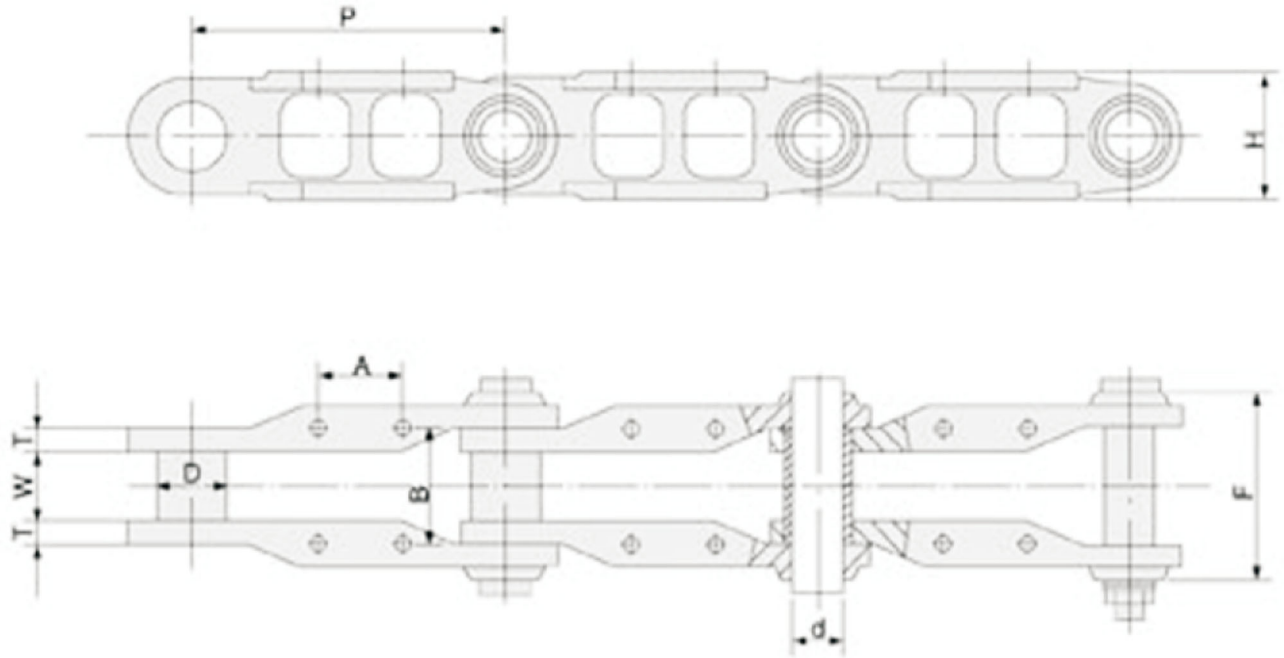


链号 Chain No.	节距 Pitch P mm	滚子直径 Diameter of Roller D <sub>1</sub> (max) mm	内节内宽 Inner Width of Inner B <sub>1</sub> (min) mm	链板参数 Data of Sidebar				销轴参数 Data of Pin		抗拉强度 Tensile Strength Q (min) KN
				T mm	H mm	H1 mm	H2 mm	D2 mm	L mm	
WH60300	300	125	65	12.7	171	42.5	20	36	165	600
WH90400	400	135	79	12.7	182.5	54	13.5	36	179	900
WH130400	400	150	74	16	195	61	14	46	197	1300
WH160500	500	175	91	16	227	69	18.5	46	205	1600
3754378	450	135	70	12.7	171.5	48.5	19	38	157.5	882
WH315	315	120	80	10	180	68	15	36	180	880
WH250	250	100	55	8	150	55	10	28	146	520

## 大规格输送链

Long pitch conveyor chains

SCD槽式输送链  
Tank conveyor chain



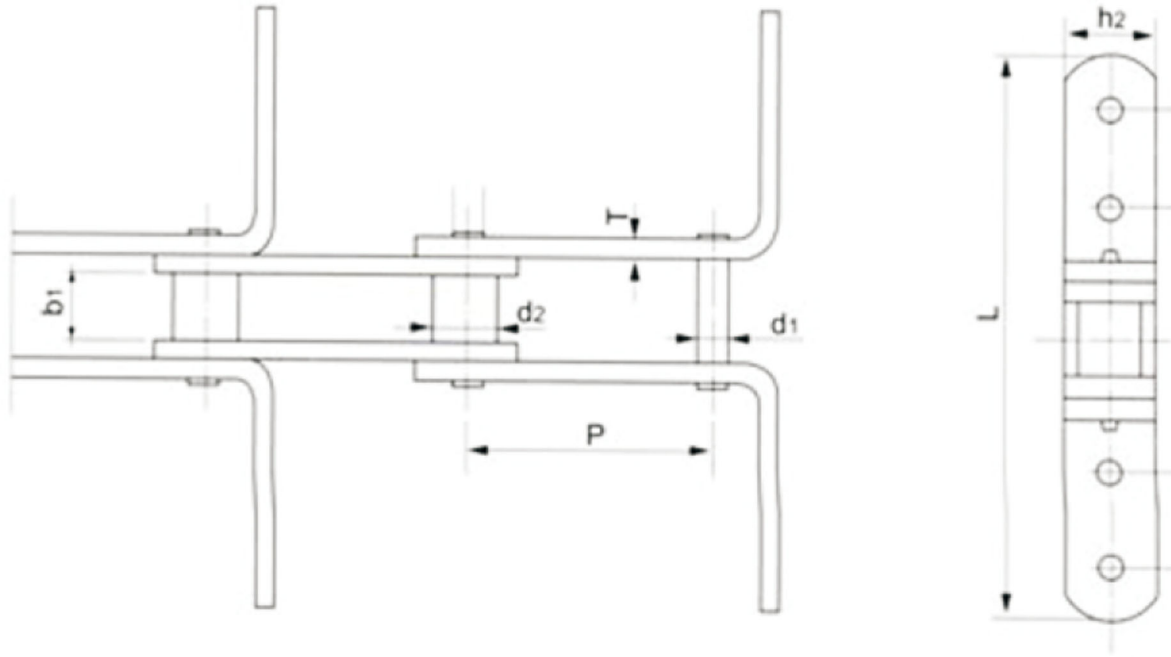
Vision Chain No.	节距	滚子直径	销轴直径	销轴长度	内节内宽	链板高度	链板厚度	外宽	安装尺寸
	P	D	d	L	W	H	T	F	A×B
	mm	mm	mm	mm	mm	mm	mm	mm	mm
SCD630	250	60	44	167	60	110	20	160	80×100
SCD630A	250	66	44	170	60	110	20	160	80×100

## 大规格输送链

Long pitch conveyor chains

粮机输送链

Grain machine conveyor

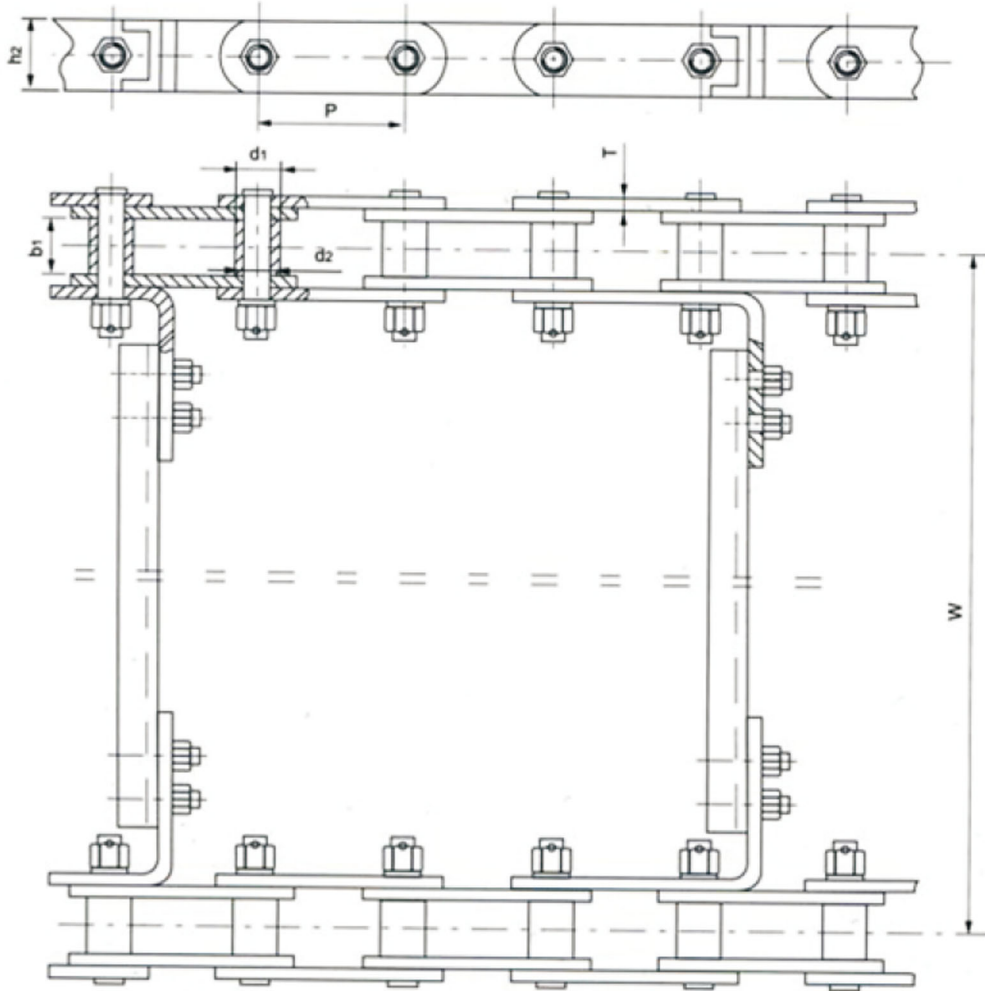


Vision Chain No.	节距	内节内宽	滚子直径	销轴直径	链板高度	链板厚度	刮板宽度	刮板高度	抗拉强度
	P	Inner Width of Inner	Diameter of Roller	Diameter of Pin	Height of Sidebar	Thickness of Sidebar	Width of Sidebar	Height of Sidebar	Tensile Strength
	mm	B <sub>1</sub> (min)	D <sub>1</sub> (max)	D <sub>2</sub> (max)	H <sub>2</sub> max	T mm	L mm	H <sub>2</sub> mm	Q (min) KN
LTE665	66.5	26.5	22	12	30	6	164	30	130
LTE665	66.5	26.5	22	12	30	6	180	30	130
LTE65	66.5	26.5	22	12	30	6	225~265	30	130
LTE100	100	38.5	36	16	40	6	225~305	40	220
LTE <sub>1</sub> 100	100	29.6	22.3	11.1	29	5	185	29	90
Ls125	125	32.5	28.6	14.3	42	6	235	42	170
LS125A	125	32	25	17	56	6	220	56	220
LS125B	125	32	36	20	60	6	290	60	300
Ls160	160	52	40	20	55	9.5	470	55	378
LS160A	160	52	40	20	55	9.5	580	55	378
LS160B	160	45	39.3	22	60	8	360	60	470
LE160C	160	36.8	36	18	48	8	160	48	240
LS160D	160	45	39.3	22	60	6	370	60	352

## 大规格输送链

Long pitch conveyor chains

粮机输送链  
Grain machine conveyor



Vision Chain No.	节距	滚子直径	内节内宽	销轴直径	销轴长度	链板高度	链板厚度	链距	单链抗拉强度
	P	D <sub>1</sub> (max)	B <sub>1</sub> (min)	D <sub>2</sub> (max)	L (max)	H <sub>2</sub>	T	W	Q (min)
	mm	mm	mm	mm	mm	max	mm	mm	KN
LTE665	66.5	22	26.5	12	54	30	6	127.0	130
LTE665	100	36	38.5	16	82	40	8	150	200
LTE100	110	38	23.9	15.85	77	35	6	188	170
LTE125	125	40	52	28.1	101.2	65	8	260	220



劲普机械

Jinpu Mechanical

Address: Room 417-1, Building 8, No. 5-4 Yunhe Road, Chongxian Street,  
Yuhang District, Hangzhou City, Zhejiang Province, China.

Tel: 86-(0)571-88277778

Fax: 86-(0)571-85853285

E-mail: [info@jpmach.com](mailto:info@jpmach.com)

Website: [www.jpmach.com](http://www.jpmach.com)