



劲普机械

Jinpu Mechanical

Drop Forged Chains



杭州劲普传动机械有限公司

Hangzhou Jinpu Transmission Mechanical Co., Ltd

[www.jpmach.com](http://www.jpmach.com)

中国·浙江

ZHEJIANG CHINA



## 公司简介 COMPANY PROFILE

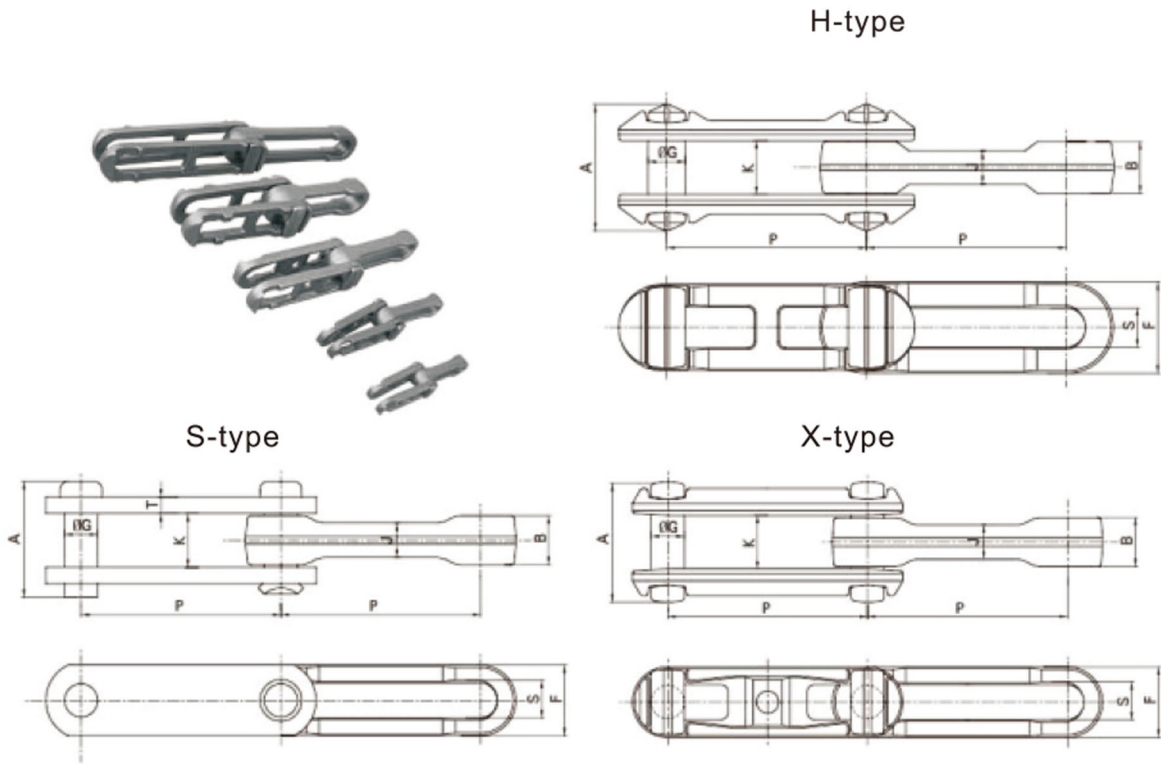
---

Jinpu, An Enterprise in Zhejiang China, is established over 10 years, 50~100 staff, and an area coverage of 5,000+ square meters for 2 manufacturing plants. Our business scope covers manufacturing Sprocket, Gear, Timing Belt Pulley, Taper Bush, Industrial Chain, mainly focus on non-standard machining parts base on customers' drawings.



## 锻造系列 Forging Chain

### 模锻易拆链 Drop Forged Rivetless Chain

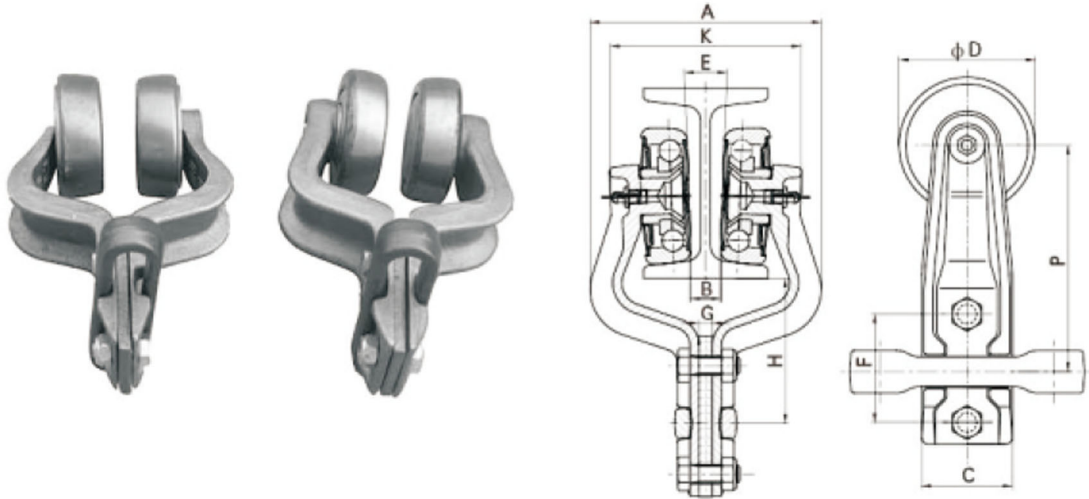


	链号 Chain No.	节距 Pitch mm	尺寸 Dimension						侧向转角 Side Corner $\alpha$	标准测量长度的节距数 Number of Pitch of Standard Measurement Length	标准测量长度 Standard Measurement Length mm	抗拉强度 Tensile Strength KN	每米重量 Weight kg/m
			A	F	G	J	K	S					
英制 British system series	80H	80	73	42	18.4	20	34.5	19.5	7	38	3032/3058	250	7.8
	X348	76.6	46	27	12.7	12.7	20.6	13.5	9	40	3050.5/3095.2	110	3.2
	X458	102.4	57	37	16	16	26.5	17.5	9	30	3063.1/3090.2	210	5.2
	468H	102.4	84.1	47.8	18	29.5	42.9	22.2	9	30	3063.1/3090.2	318	11.5
	X658	153.2	55.6	35	16	16	57.2	17.5	7	20	3055.1/3082.8	210	4
	X678	153.2	77	50.8	22.2	21	34.2	25	7	20	3055.1/3082.8	320	9.5
	678	153.2	77	50.8	22.2	21	34.2	25	7	20	3055.1/3082.8	320	9.5
	698	153.2	95.25	64	28	25.4	41.3	32	5	20	3055.1/3082.8	515	17
	998	229.4	95.25	67.5	28	25.4	41.3	32	5	13	3205/3232.4	515	14.8
	9118	229.4	123.8	76.2	35	33.5	52	38.1	5	13	3205/3232.4	832	24.2
	S348	76.6	38.9	28.6	12.7	12.7	20.6	13.5	9	40	3050.5/3095.2	110	3.2
	S458	102.4	52.1	35	16	16	26.5	17.5	9	30	3063.1/3090.2	210	5.2
	S678	153.2	69.8	50.8	22.2	21	34.2	25	7	20	3055.1/3082.8	320	9.5
	S698	153.2	73	68.3	28	25.4	41.3	32	5	20	3055.1/3082.8	515	17
S9118	229.4	98.4	77.8	35	33.5	52	38.1	5	13	3205/3232.4	832	24.2	
公制 Metric System series	XT100	100	57	37	16	16	26.5	17.5	9	30	2991.3/3081.3	210	5.2
	XT160	160	78	54	24	20.5	36	28	7	20	3190.7/3219.5	318	10.3

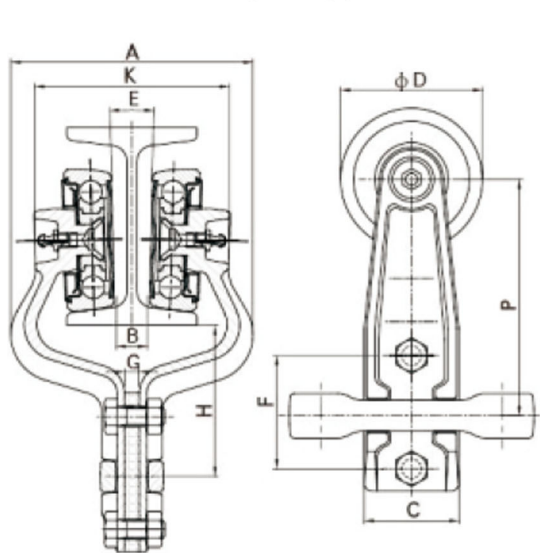
## 锻造系列 Forging Chain

### 滑架 Forging Trolley

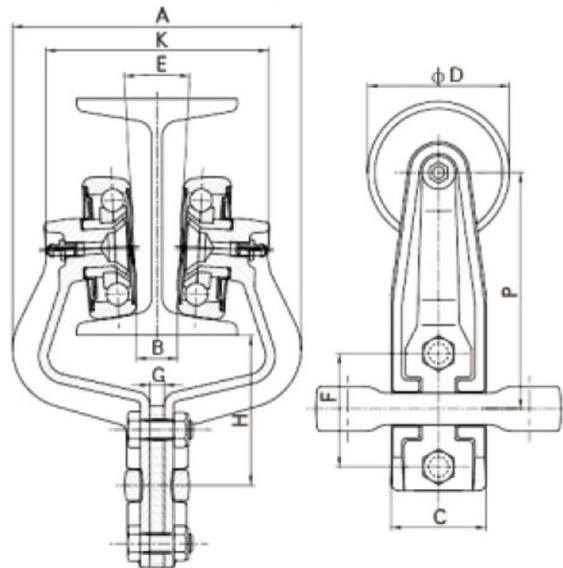
X-348Trolley (A type)



X-348Trolley (B type)



X-348Trolley (C type)



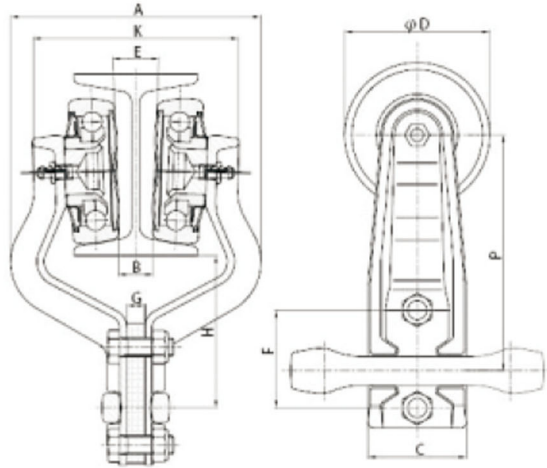
Chain No.	锻件参数(mm) Dimensions(mm)											重量 Weight
	型号 Type	P	H	A	B	C	D	E	F	G	K	KG
X348TROLLEY-I	A	100	64	102	14	40	60	4	47.8	6	84	2.7
X348TROLLEY-II	B	100	64	102	14	40	60	3	47.8	6	82	2.7
X348TROLLEY-III	C	100	64	122	16	40	60	6	47.8	6	94	2.7

## 锻造系列 Forging Chain

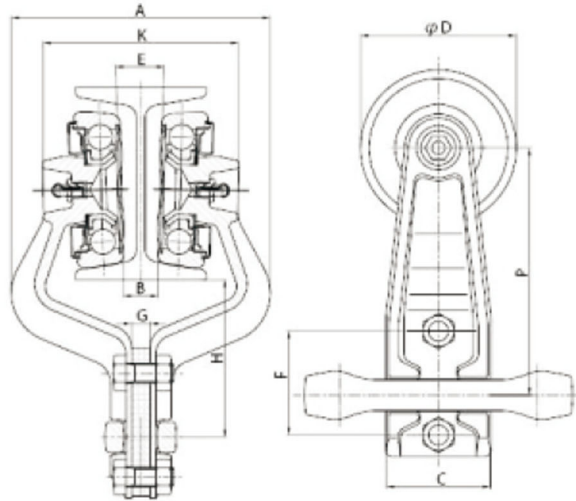
### 滑架 Forging Trolley



X-458/XT100 Trolley (A type)



4 " Trolley (B type)

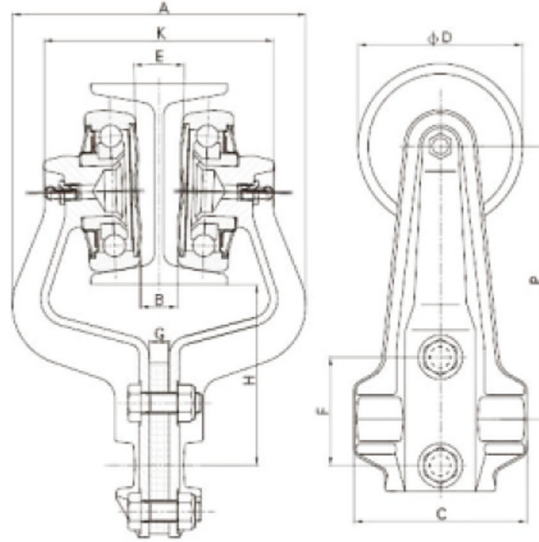


Chain No.	锻件参数(mm) Dimensions(mm)											重量 Weight
	型号 Type	P	H	A	B	C	D	E	F	G	K	KG
X458TROLLEY-I	A	126	79	138	18	54	82	4	54	10	113	2.7
X458TROLLEY-II	A	127	80	138	18	56	82	4	54	10	113	
X458TROLLEY-III	A	130	83	138	18	54	82	4	54	10	113	
X458TROLLEY-IV	B	128.6	81	134.5	18	54	81	3	54	9.5	101.5	

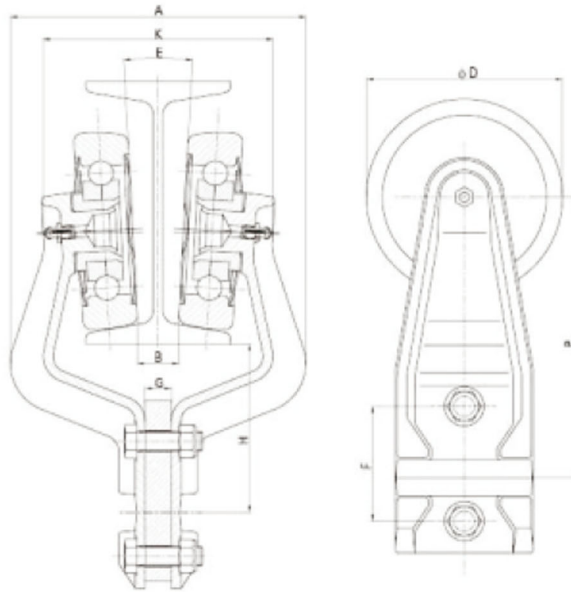
## 锻造系列 Forging Chain

### 滑架 Forging Trolley

X678 Trolley



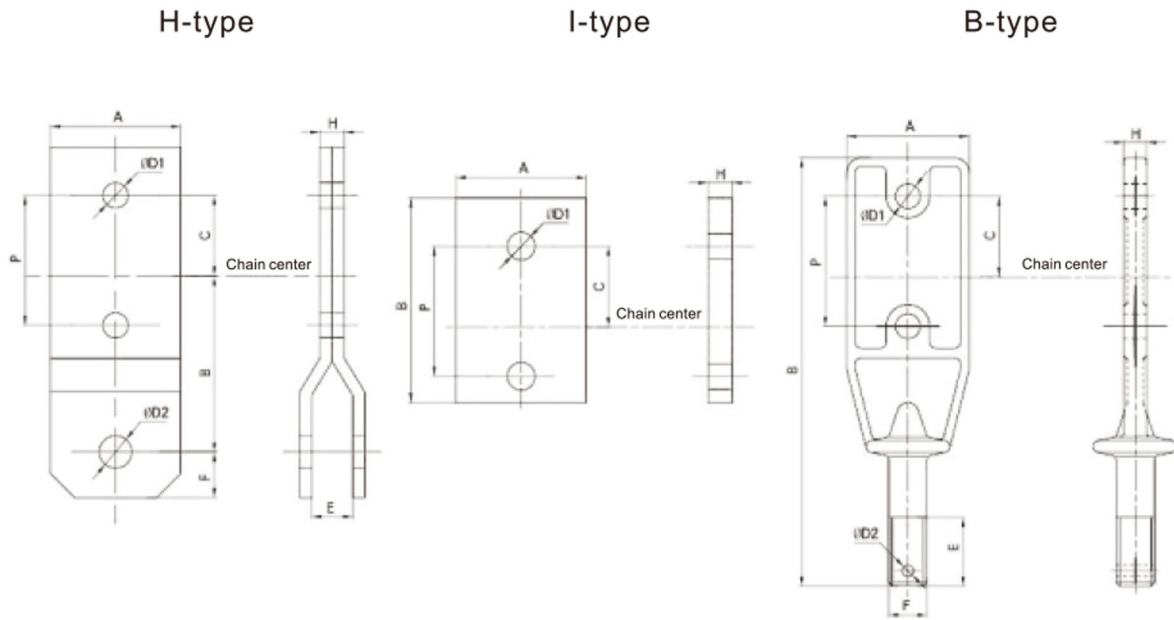
XT160 Trolley



Chain No.	锻件参数(mm) Dimensions(mm)										重量 Weight
	P	H	A	B	C	D	E	F	G	K	KG
X678TROLLEY- I	136	89	146	18	86	82	4	54	10	114	3.2
X678TROLLEY- II	134.5	87.5	142	18	86	82	4	54	10	106	2.8
Xt160TROLLEY- I	171	103	180	26	84	120	6	70	16	140	9.7
Xt160TROLLEY- II	170	102	174	26	86	120	4	70	16	148	8.8

## 锻造系列 Forging Chain

### 吊具 Hargerliner

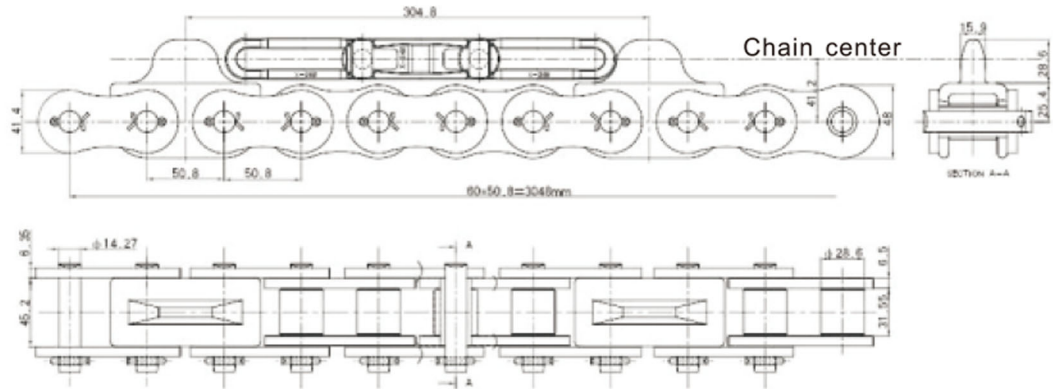


链号 Chain No.	锻件参数(mm) Dimensions(mm)										重量 Weight KG	许用载荷 Rated Working load KG	极限载荷 Ultimate tensile strength KG
	型号 Type	P	A	B	C	D1	D2	E	F	H			
X348	H	47.8	38	79	25.4	9	13.5	15	16.6	6	0.24	1260	7000
X458	H	54	54	73	33.5	10.5	13.5	17	19	10	0.64	3600	20000
XT160	H	70	80	133.5	43.5	13	20	32	47	16	1.25	8000	45000
X348	I	47.8	38	68	25.4	9	/	/	/	6	0.12	/	/
X458	I	54	54	85	33.5	11.5	/	/	/	10	0.26	/	/
X678	I	54	54	85	33.5	11.5	/	/	/	10	0.26	/	/
XT160	I	70	80	110	43.5	13	/	/	/	16	1.1	/	/
4196	B	47.8	38.1	146.1	25.4	8.3	3.6	22.2	1/2"	6.4	0.2	1800	10000
4221	B	54	50.8	177.8	33.5	10.3	4.8	28.6	5/8"	9.5	0.45	3000	17000
4249	B	70	76.2	222	43.5	14.3	5.6	34.9	7/8"	12.7	1.02	5760	32000

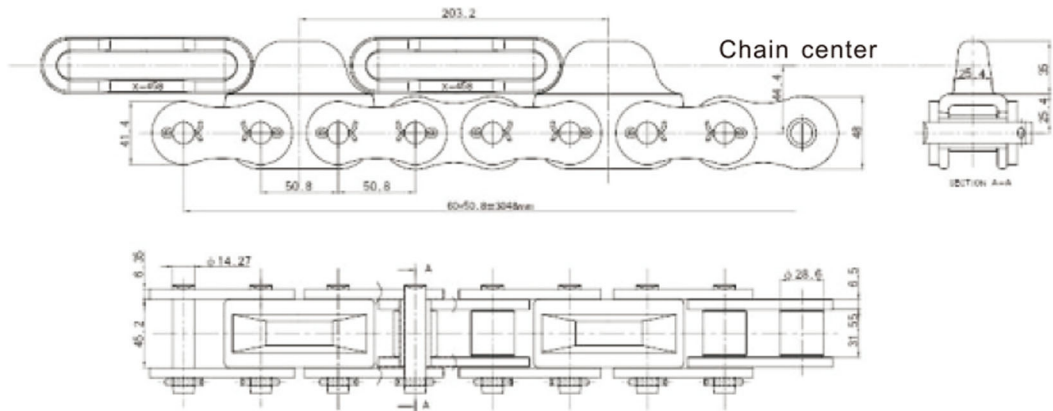
## 锻造系列 Forging Chain

### 驱动链 Caterpillar Drive Chain

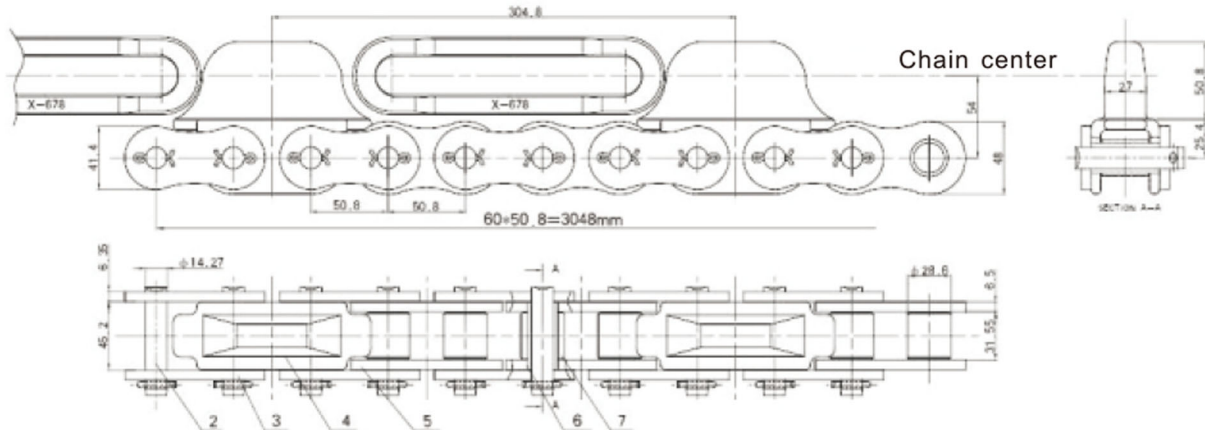
X348Caterpillar Drive Chain



X458Caterpillar Drive Chain



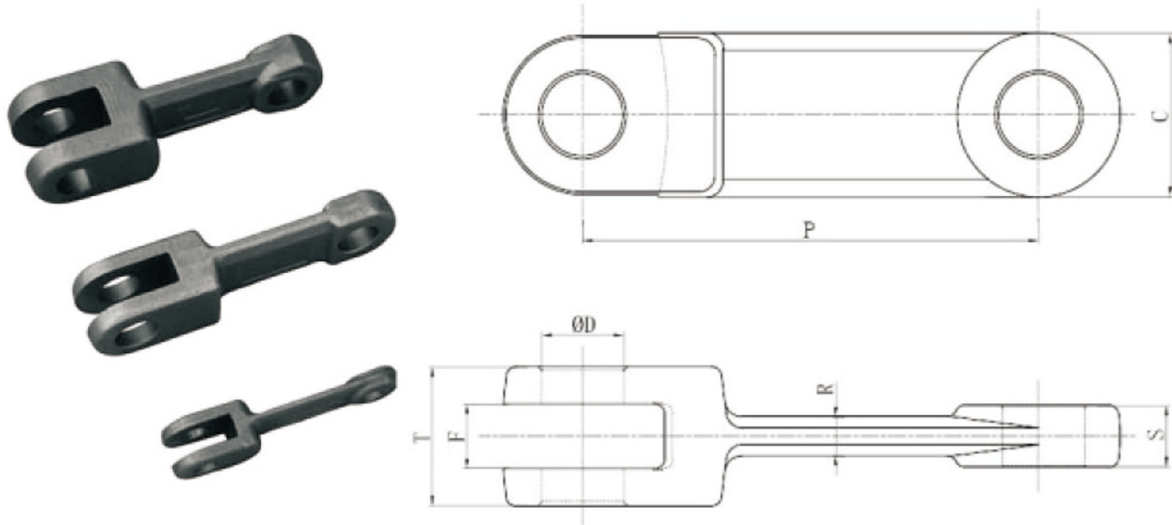
X678Caterpillar Drive Chain





## 锻造系列 Forging Chain

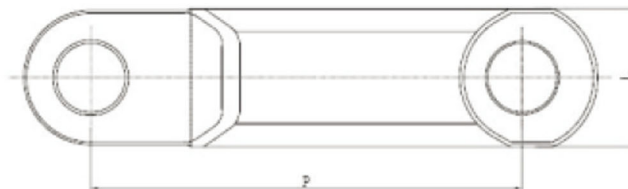
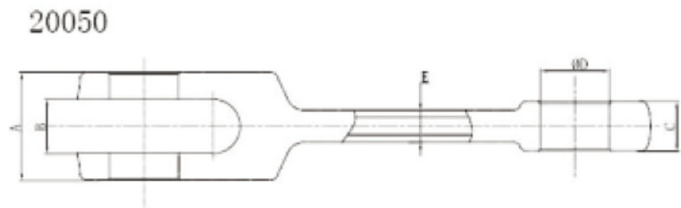
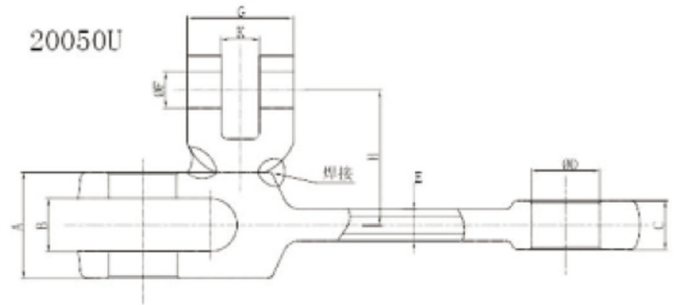
### 刮板链 Forging Scraper Chain



Chain No.	锻件参数(mm) Dimensions(mm)							重量 Weight KG	工作载荷 Rotated working load KG	极限载荷 Breaking load KG
	P	T	C	S	F	R	D			
10160/B	101.6	24	36	13	14	6	14	0.32	1800	10000
10160	101.6	30	36	13	14	9	14	0.36	2160	12000
14218	142	42	50	19	20	11	25	1.15	4860	27000
14226	142	62	50	28	30	15	25	1.75	6120	34000
15014	150	42	48	16	18	12	25	1.35	4860	27000
70010	150	36	36	15	18	10	18	1.05	2880	16000
20028	200	66	60	30	32	18	30	2.8	9900	55000
20042	200	42	45	20	22	12	20	1.5	5040	28000
26014	260	70	75	31	33	20	34	5.2	13500	75000

**锻造系列 Forging Chain**

**刮板链  
Forging Scraper Chain**

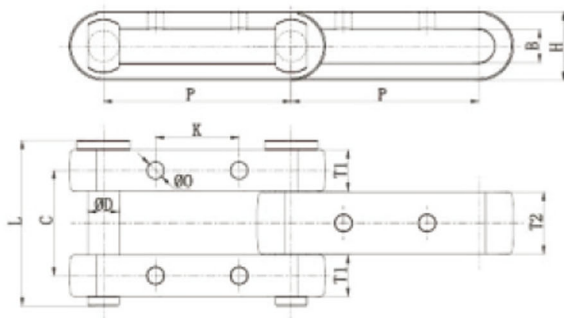


链号 Chain No.	锻件参数(mm) Dimensions(mm)											抗拉强度(KN) Ultimate tensile strength(KN)
	P	D	L	A	B	C	E	F	G	H	K	
20050	200	32	64	50	25	23	15	/	/	/	/	450
20050U	200	32	64	50	25	23	15	17	50	64	18	450

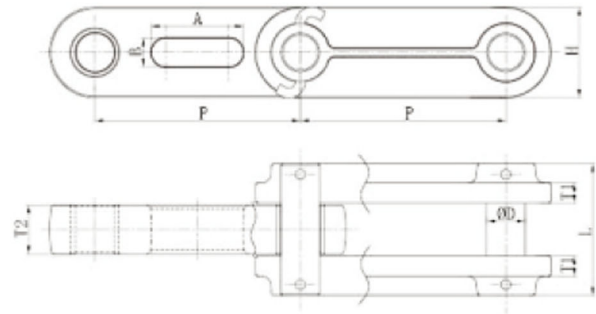
## 锻造系列 Forging Chain

### 糖机块用链 Sugar Machine Chain

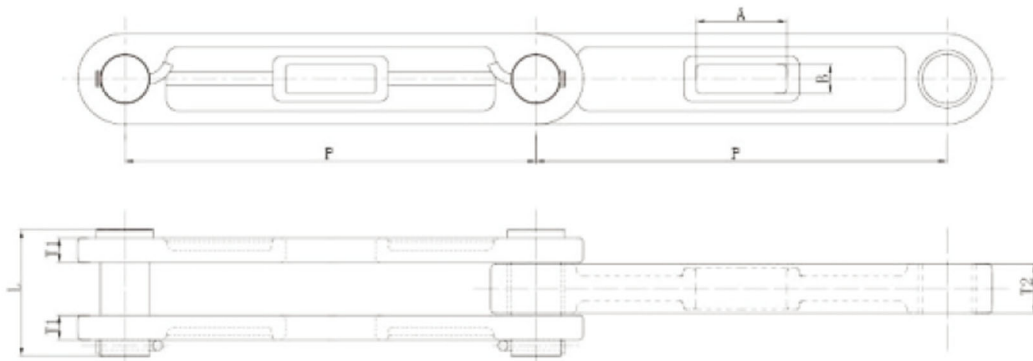
A-type



B-type



C-type



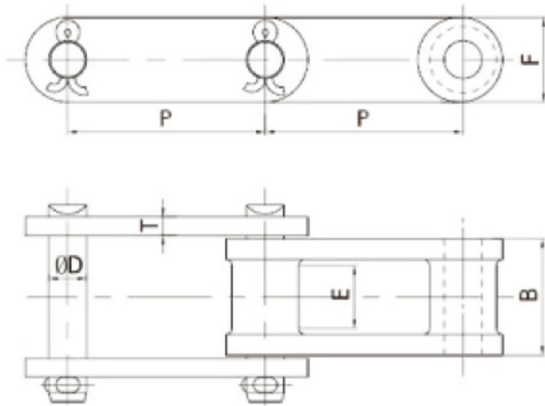
链号 Chain No.	型式 Type	节距 P mm	链板(mm) Plate								平均抗拉载荷 Average tensile strength KN	重量 Weight kg/m
			D	L	T1	T2	O	H	A	B		
DK100-152	A	152.4	30	158	45	45	13	60	/	32	1000	28.7
B5291	A	152.4	39	158	38.1	50.8	17	77.8	/	41	1100	47.9
3850	A	228.6	39	132	40	50	17	80	/	40	1000	32.4
5075	A	288.6	39	201	50	75	17	83	/	40	1000	48.5
NF250	B	250	47	181.5	30	60	/	110	111	35	1720	52
NF500	C	500	60	157.5	31	62	/	150	125	45	2940	77

## 锻造系列 Forging Chain

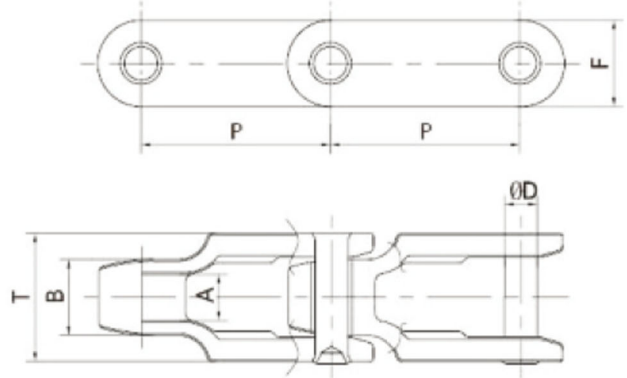
### 可锻铸铁链 Casting Chain



C-type



CC-type



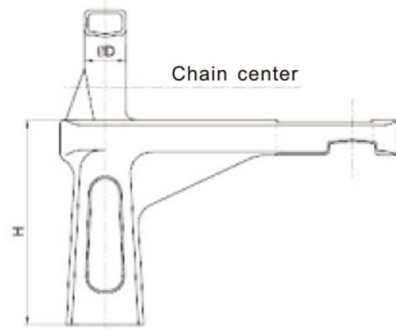
链号 Chain No.	节距 P mm	最大许载荷 Rated working load max KN	极限拉伸载荷 Ultimate tensile strength KN/LB	节数 /10ft Links/10ft	重量 Weight Kg/m	尺寸 Dimension				
						A	B	D	F	T
C55	41.4	1110	9000	74	3.18	17.5	32	9.5	19.0	4.8
C55L	41.4	1110	9000	74	4.1	17.5	32	10.0	19.0	4.8
C77	58.6	1360	11000	52	3.38	17.5	32	11.1	22.0	4.8
C188	66.3	1950	14000	46	5.25	23.8	39.6	12.7	29.0	5.8
C188L	66.3	1950	14000	46	5.25	23.8	39.6	14.3	29.0	5.8
C102B	101.6	4000	24000	30	9.35	50.8	73.0	16.0	38.0	9.0
C111	120.9	5950	36000	26	18.37	60.0	86.0	19.0	44.0	9.0
C131	78.1	3220	24000	40	10.83	28.5	52.0	16.0	38.0	9.0
C132	152.4	8330	50000	20	21.56	73.0	111.0	25.4	50.8	12.0
CC600	64	1110	9000	48	5.05	13	23.5	11	29	43

## 锻造系列 Forging Chain

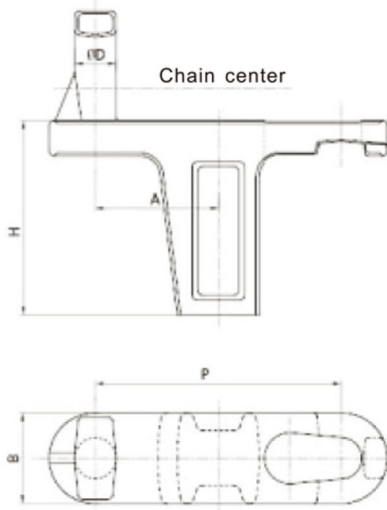
### 推头 Pusher



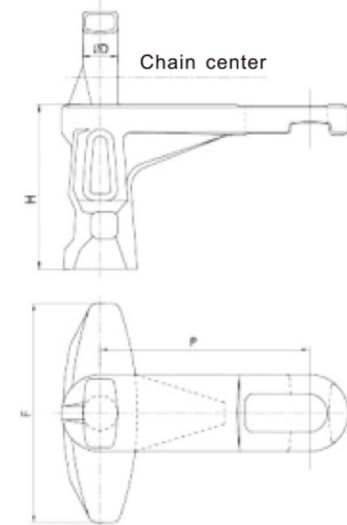
X348(A Type)



X348(B Type)



X348(C Type)



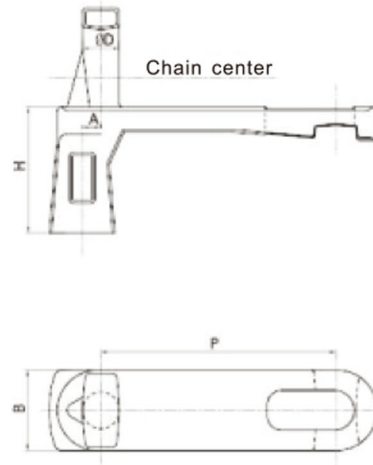
链号 Chain No.	锻件参数(mm) Dimensions(mm)					重量 Weight KG	许用载荷 Rated Working load KG	极限载荷 Ultimate tensile strength KG
	P	H	A	D	F			
X348(A Type)	76.6	63.5	/	12.7	/	0.42	900	11000
X348(B Type)	76.2	60.3	38.1	12.7	/	0.45	900	11000
X348(C Type)	76.6	60	/	12.7	80	0.65	900	11000

## 锻造系列 Forging Chain

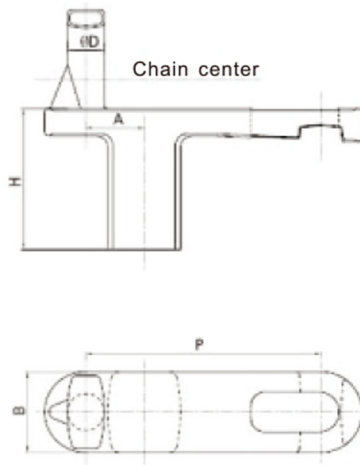
### 推头 Pusher



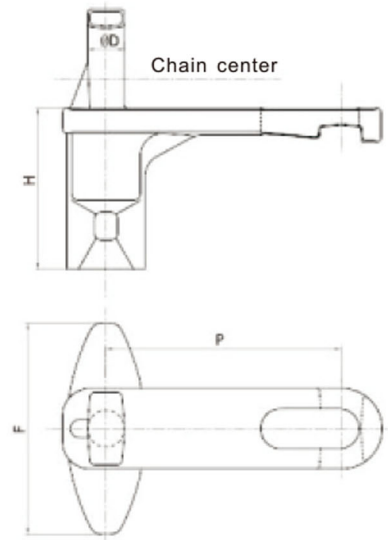
X458(A Type)



X458(B Type)



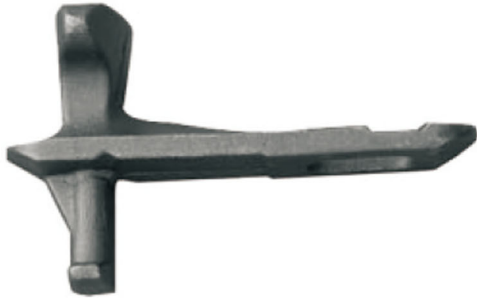
X458(C Type)



链号 Chain No.	锻件参数(mm) Dimensions(mm)						重量 Weight KG	许用载荷 Rated Working load KG	极限载荷 Ultimate tensile strength KG
	P	H	A	B	D	F			
X458(A Type)	102.4	55	8.2	35	16	/	0.7	1500	2100
X458(B Type)	102.4	61.5	25.4	35	16	/	0.75	1500	2100
X458(C Type)	102.4	70.3	/	35	16	92	1.35	1500	2100

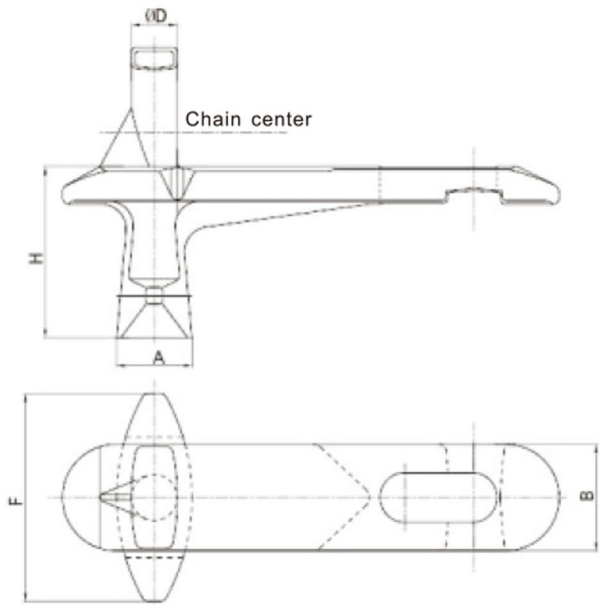
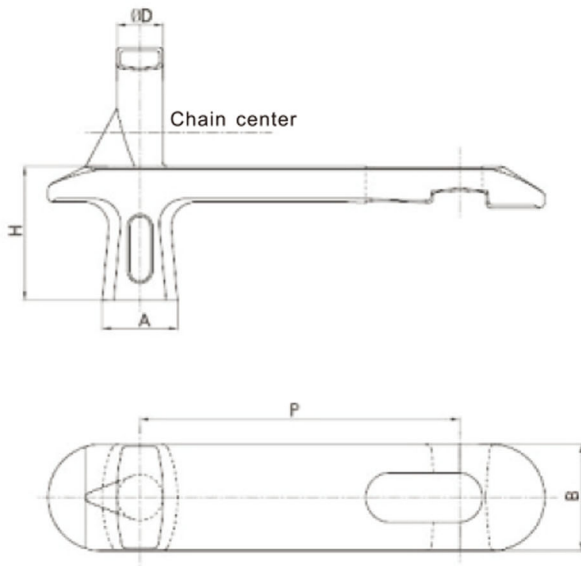
## 锻造系列 Forging Chain

推头  
Pusher



X678(A Type)

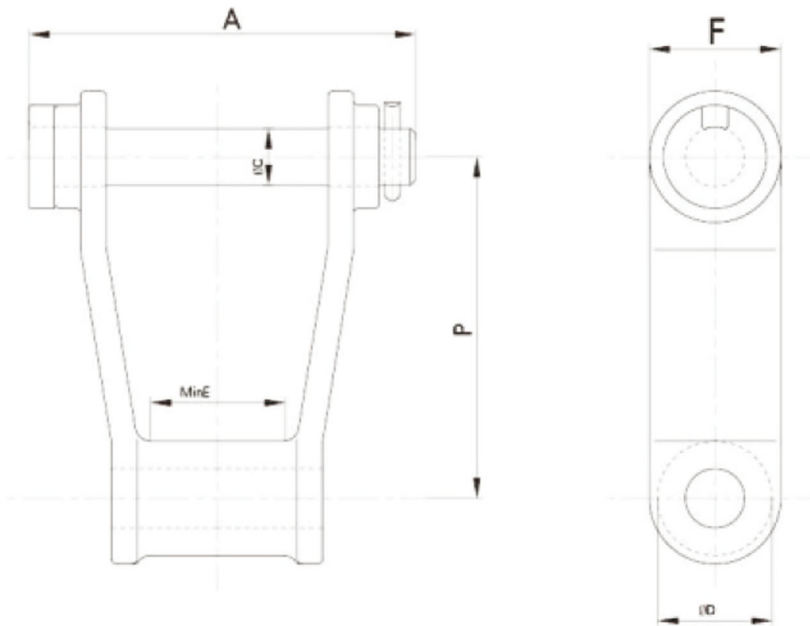
X678(B Type)



链号 Chain No.	锻件参数(mm) Dimensions(mm)						重量 Weight KG	许用载荷 Rated Working load KG	极限载荷 Ultimate tensile strength KG
	P	H	A	B	D	F			
X678(A Type)	153.2	64	36	51	22	/	1.65	2700	3800
X678(B Type)	153.2	82	36	51	22	100	2.3	2700	3800

## 锻造系列 Forging Chain

### 400型枢轴链 400 Type Pivot Chain

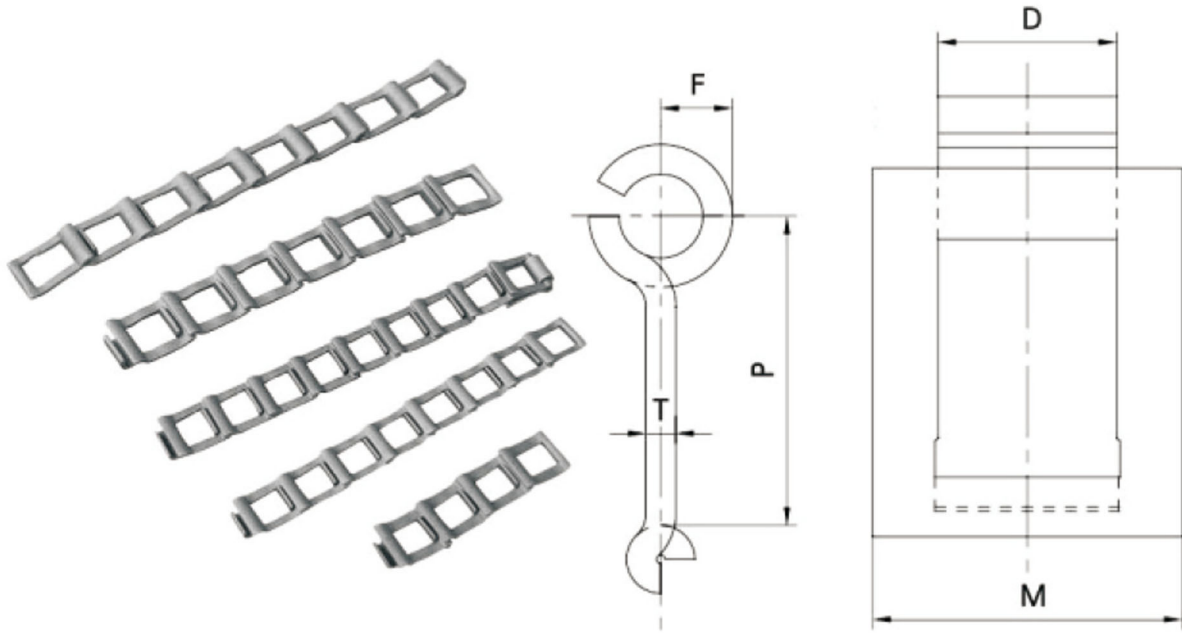


链号 Chain No.	节距 P mm	最大许可载荷 Rated working load max KN	平均极限强度 Average tensile strength KN	平均重量 Average weight Kg/m	节数 /10ft Links/10ft	尺寸 Dimension					
						A	B	C	D	E	F
422	34.93	452	3402	2.23	88	50.8	46.83	7.94	14.29	15.88	19.05
445	41.4	452	3402	2.38	74	50.8	46.83	7.94	15.88	17.46	19.05
452	38.25	528	3969	3.27	80	56.36	67.47	9.26	17.46	15.88	21.43
455	41.4	577	4139	3.13	74	57.94	53.98	9.26	15.88	17.46	21.43
462	41.5	816	5103	4.02	73	65.09	63.5	11.11	18.26	20.64	23.81
467	58.62	517	3402	2.23	52	56.36	53.98	7.94	16.67	9.53	19.84
477	58.62	762	5443	3.27	52	64.29	56.36	11.11	20.64	17.46	25.40
488	66.27	980	6237	4.61	46	100	73.82	11.11	22.23	23.81	23.81
4103	78.11	1905	12474	9.23	39	87.31	84.13	19.05	30.96	28.58	38.10
4124	103.2	2482	18711	13.69	30	120.65	113.5	20.84	43.66	31.75	44.45



## 冲压系列 Punching Chain

### 冲压方框链 Punching Chain



链号 Chain No.	P	D	F	M	T	破断载荷 Breaking Load KN	重量 Weight Kg/m	节数 / 10ft Links/10ft
	mm							
25	22.96	10.72	4.572	17.8	1.854	3.382	0.30	133
32	29.39	15.09	5.842	23.8	2.286	5.874	0.48	104
32W	29.39	15.09	5.893	27	2.413	5.874	0.58	104
51	28.78	17.86	5.893	27.8	2.540	7.496	0.60	106
52	38.30	21.44	7.696	35.7	2.048	9.612	0.983	80
55	41.40	20.22	8.128	32.5	3.175	9.968	0.924	74
62	42.01	24.99	8.51	39.7	3.76	15.56	1.35	73



劲普机械

Jinpu Mechanical

Address: Room 417-1, Building 8, No. 5-4 Yunhe Road, Chongxian Street,  
Yuhang District, Hangzhou City, Zhejiang Province, China.

Tel: 86-(0)571-88277778

Fax: 86-(0)571-85853285

E-mail: [info@jpmach.com](mailto:info@jpmach.com)

Website: [www.jpmach.com](http://www.jpmach.com)