



劲普机械

Jinpu Mechanical

Conveyor Chains



杭州劲普传动机械有限公司

Hangzhou Jinpu Transmission Mechanical Co., Ltd

www.jpmach.com

中国·浙江

ZHEJIANG CHINA



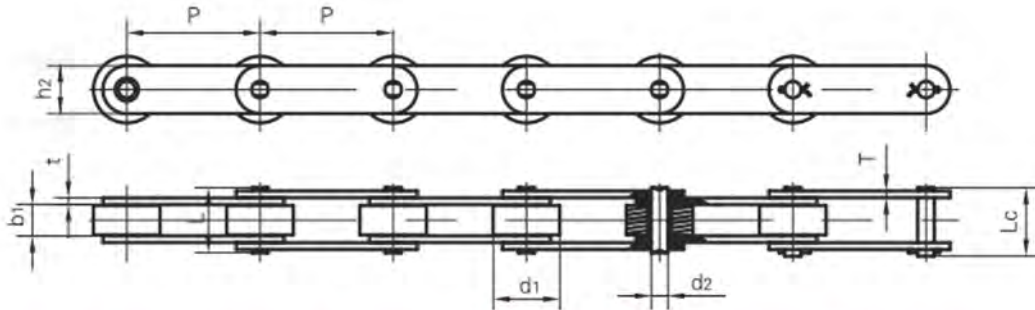
公司简介 COMPANY PROFILE

Jinpu, An Enterprise in Zhejiang China, is established over 10 years, 50~100 staff, and an area coverage of 5,000+ square meters for 2 manufacturing plants. Our business scope covers manufacturing Sprocket, Gear, Timing Belt Pulley, Taper Bush, Industrial Chain, mainly focus on non-standard machining parts base on customers' drawings.



输送链 Conveyor chains

输送链 Conveyor chains

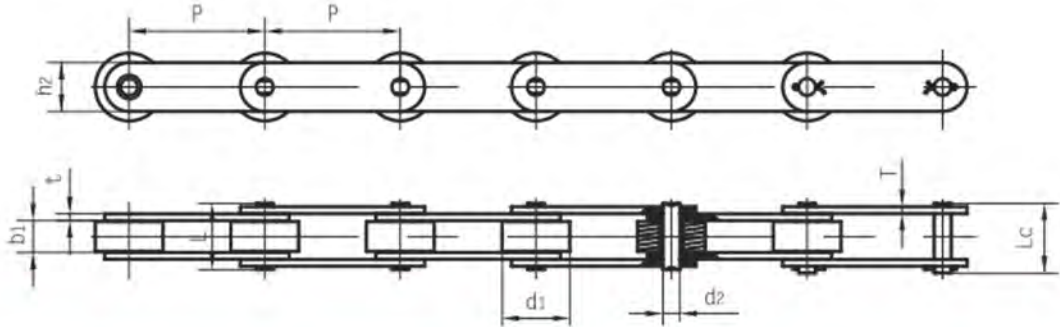


Vision Chain No.	节距	滚子直径	内节内宽	销轴直径	销轴长度		链板高度	链板厚度	极限拉伸载荷	平均拉伸载荷	每米长重
	P	Roller diameter	Width between inner plates	Pin diameter	L	Lc	Inner plate depth	Plate thickness	Ultimate tensile strength	Average tensile strength	Weight per meter
	mm	d1 max	b1 min	d2 max	mm	mm	h2 max	t/T max	Q min	Q0	q
	mm	mm	mm	mm	mm	mm	mm	mm	kN/LB	kN	kg/m
P19.05F1	19.05	11.91	9.90	5.72	26.00	28.60	17.00	3.00	30.0/6750	33.0	1.84
*P20F1	20.00	12.00	16.00	6.00	32.10	34.50	18.00	3.00	35.5/7986	39.1	2.11
P22	22.00	14.00	14.00	8.00	37.00	40.00	40.00	5.00/4.00	40.0/9000	44.0	4.10
P25.4F5	25.40	14.00	12.70	7.50	30.00	33.00	22.50	3.50/3.00	50.0/112450	55.0	2.47
*P30	30.00	15.88	17.02	8.28	35.60	38.70	20.00	3.50/3.00	60.0/13500	66.0	2.35
*P30F1	30.00	15.88	9.70	8.28	24.80	65.50	22.00	3.102.50	45.0/10123	49.5	1.87
*P35F4	35.00	18.00	18.00	8.28	35.40	38.30	24.00	3.00	60.0/13500	66.0	2.51
P38.1F11	38.11	25.40	21.50	12.00	40.00	43.90	35.00	3.00	70.0/15750	77.0	5.18
P41.3F6	41.30	16.00	10.00	9.00	27.00	30.00	21.00	3.00	40.0/9000	44.0	1.80
P42	42.01	22.23	25.40	11.10		55.25	28.50	4.80	100.0/22496	110.0	5.36
P42F1	42.01	22.23	25.40	11.10	50.30	54.30	28.50	4.80	90.0/20456	99.0	5.26
P44.45F1	44.45	22.23	24.70	11.10	62.00	65.50	32.00	6.70	110.0/24745	121.0	7.30
P49.8	49.80	28.58	31.55	14.27	64.80	69.60	47.80	6.40	222.4/50030	244.6	10.39
P50	50.00	25.40	25.40	14.63	54.30	57.80	40.00	5.00	100.0/22496	110.0	7.50
*P50F1	50.00	29.21	30.99	17.81		66.00	42.20	7.00	210.0/47726	231.0	9.68
P50F7	50.00	24.00	20.00	12.00	51.20	55.50	30.00	6.00	49.0/11023	54.0	5.65
P50F11	50.00	19.05	19.56	10.19	41.30	45.00	28.00	4.50/4.00	95.0/21371	104.5	3.60
P50.8F1	50.80	30.00	10.00	11.70	30.20	34.50	26.04	4.00	83.0/18671	91.3	2.60
P63.5	63.50	19.05	18.90	9.53	44.60	47.20	28.60	5.00	86.7/19704	95.4	3.77
*P69F1	69.85	15.88	17.02	8.28	36.70	39.70	20.60	4.00/3.25	60.8/13677	66.9	1.50
P69.85F1	69.85	31.75	25.40	14.27	66.40	73.50	34.93	7.90	170.0/38243	187.0	8.76
P76.2F2	76.20	50.00	26.00	24.00	69.60	74.70	59.50	8.00	350.0/79544	385.0	19.00
P76.2F10	76.20	11.91	11.00	5.94	28.00	30.40	18.50	3.25	31.8/7154	35.0	1.30
P76.7F2	76.70	29.00	30.00	14.50		73.00	38.10	6.30	100.0/22496	110.0	7.60
P80F1	80.00	42.00	24.00	15.00	55.00	60.00	60.00	6.00	250.0/56817	275.0	11.90
P80F5	80.00	28.00	34.00	16.00	68.00	72.00	45.00	5.00/8.00	190.0/43181	209.0	8.80
P80F6	80.00	30.00	32.00	15.00	58.60	62.60	60.00	5.00	98.0/22272	108.0	9.75
P80F10	80.00	42.00	22.00	15.00	53.00	58.00	60.00	6.00	250.0/56817	275.0	11.40

* "∞" 形状链板
 * "∞" sharp plates

输送链 Conveyor chains

输送链 Conveyor chains

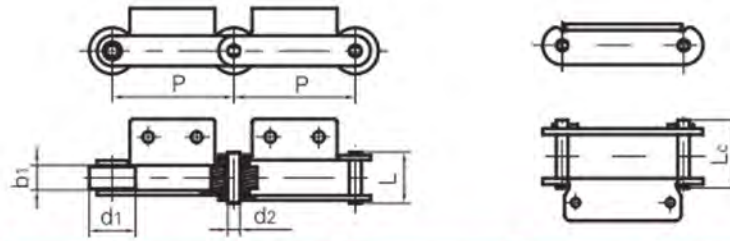


Vision Chain No.	节距 Pitch	滚子直径 Roller diameter	内节内宽 Width between inner plates	销轴直径 Pin diameter	销轴长度 Pin length		链板高度 Inner plate depth	链板厚度 Plate thickness	极限拉伸载荷 Ultimate tensile strength	平均拉伸载荷 Average tensile strength	每米长重 Weight per meter
	P	d1 max	b1 min	d2 max	L max	Lc max	h2 max	t/T max	Q min	Q0	q
	mm	mm	mm	mm	mm	mm	mm	mm	kN/LB	kN	kg/m
P100H	100.00	20.00	28.00	14.00		62.0	40.00	5.00	103.0/23170	113.3	4.99
P100F7	100.00	29.00	30.00	14.50		71.0	38.10	6.00	95.0/21371	104.5	6.72
P100F25	100.00	25.40	31.50	14.00	62.60	77.5	38.10	6.00	95.0/21371	104.5	6.17
P100F52	100.00	38.00	18.00	9.53	47.00	49.30	32.00	5.00	86.7/19504	95.3	4.67
P100F53	100.00	52.00	21.00	14.00	46.00	51.0	40.00	5.00/4.00	110.0/24745	121.0	7.45
P100F56	100.00	35.00	13.50	10.00		46.0	30.00	5.00	70.0/15747	77.0	3.98
P101.6F4	101.60	66.70	25.40	26.90	59.20	80.0	51.00	7.10/5.10	134.0/30454	147.4	15.7
P101.6F18	101.60	31.75	15.00	10.00	37.00	41.0	25.00	4.00	40.0/9000	44.0	2.79
P101.6F24	101.60	47.60	22.20	11.11	47.80	52.2	32.00	4.50	75.0/16872	82.5	5.80
P103.89	103.89	66.68	57.15	33.32		148.0	88.90	15.88	500.0/112479	550.0	55.83
P125F1	125.00	50.00	55.00	26.00		110.0	60.00	8.00	300.0/68181	330.0	13.53
P125F2H	125.00	32.00	18.50	8.00		43.0	20.00	4.00	60.0/13497	66.0	2.65
P127F1	127.00	76.20	76.20	38.10		186.5	101.60	19.30	1690.0/380178	1860.0	73.85
P150F10	150.00	29.00	30.00	14.00		71.0	40.00	6.00	180.0/40492	198.0	5.71
P150F15	150.00	46.00	70.00	18.00		133.0	54.00	10.00	200.0/44991	220.0	17.25
P150.5	150.50	38.12	40.81	16.02	83.50	88.0	44.23	8.50	250.0/56817	275.0	10.00
P152F5	152.40	66.70	25.40	26.90	59.20	80.0	50.00	7.10/5.10	134.0/30454	147.4	12.10
P152F10	152.40	57.20	37.10	15.90	76.80	87.0	44.50	7.90	190.0/43181	209.0	11.29
P152F28	152.40	88.90	38.00	31.80	82.00	89.0	61.00	8.90/7.60	200.0/44992	220.0	23.30
P152F35	152.40	88.90	38.00	23.00	82.00	87.5	61.00	8.90/7.60	266.7/60000	293.4	22.65
P152F37	152.40	66.70	25.40	26.92	64.00	83.50	50.80	7.80/6.500	120.0/27000	132.0	12.22
P152F39	152.40	47.60	19.00	19.00	53.60	58.0	38.10	6.30	120.0/27000	132.0	6.26
P152F49	152.40	63.50	34.00	15.60		82.0	65.00	8.00	160.0/35993	176.0	16.30
*P154F1	154.00	44.45	85.60	28.60		150.0	80.00	12.50	500.0/112480	550.0	31.00
P160F15	160.00	64.00	37.00	15.00		100.4	45.00	8.50	160.0/35993	176.0	13.10
P160F16	160.00	69.85	38.10	27.00		101.0	50.80	9.00/8.00	160.0/35993	293.7	16.60
P200F10	200.00	100.00	47.00	25.00		103.5	72.00	10.0	308.7/70158	339.6	28.3

输送链 Conveyor chains

带附板输送链

Conveyor chain with attachments



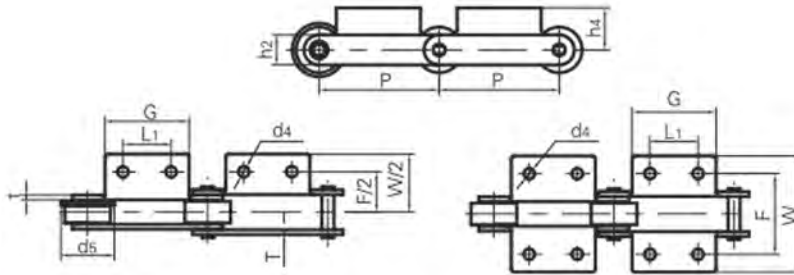
Vision Chain No.	节距	滚子直径	内节内宽	销轴直径	销轴长度		极限拉伸载荷	平均拉伸载荷	每米长重
	P	d1	b1	d2	L	Lc	Q	Qo	q
	mm	mm	mm	mm	mm	mm	kN/LB	kN	kg/m
*P28	28.575	11.68	16.00	7.870		32.4	50.0/11364	55.0	2.66
*P28F1	28.575	11.68	16.13	7.870		32.4	50.0/11364	55.0	2.60
P38.1F2	38.100	22.50	13.00	8.000	29.5	33.3	40.0/9091	44.0	2.42
P42F2	42.000	11.00	13.00	6.000	30.0	32.5	50.0/11248	55.0	1.85
P42.5	42.500	15.88	15.75	7.920	32.7	36.5	56.7/12886	62.0	3.40
P44.45F5	44.450	25.40	16.51	7.920	36.2	38.9	35.0/7874	38.5	3.85
P46	46.000	16.00	16.00	8.000	36.0	39.0	55.0/12373	60.5	3.23
P75F6	75.000	16.00	16.00	8.000		41.0	32.0/7200	35.2	2.44
P76.2F1	76.200	31.75	15.00	14.200		44.2	60.0/13500	66.0	4.45
P78.11F8	78.110	31.80	37.10	15.000		83.5	100.0/22727	110.0	12.05
P78.11F9	78.110	31.75	38.10	15.875		90.0	90.0/20246	99.0	11.28
P80F4	80.000	30.00	15.00	13.900	42.5	46.5	86.0/19346	95.0	3.97
P100F1	100.000	42.00	23.00	9.530	52.0	54.3	86.7/19704	95.0	6.06
P100F2	100.000	36.00	18.00	9.530	47.0	49.3	86.7/19704	95.0	4.60
P100F3	100.000	29.000	30.00	14.500		71.0	95.0/21591	105.0	9.46
P100F4	100.000	40.000	22.00	11.300		53.5	65.0/14773	72.0	5.13
P100F5	100.000	22.200	22.00	11.300		53.5	65.0/14773	72.0	3.90
P100F12	100.000	45.000	37.00	12.000	64.0	67.0	150.0/34091	165.0	10.30
P100F15	100.000	38.000	25.80	10.700		57.0	45.0/10227	50.0	5.25
P100F33	100.000	40.00	27.00	11.300		64.8	100.0/22727	110.0	6.80
P100F41A2	100.000	45.00	25.40	12.700		63.8	80.0/17997	88.0	8.26
P100F50	100.000	36.00	29.00	15.000	70.0	76.0	200.0/44992	220.0	13.93
*P101.6F1	101.600	25.00	55.00	16.000		110.0	60.0/13636	66.0	11.90
P101.6F9	101.600	31.75	15.00	14.200		44.2	66.7/15159	73.0	8.40
*P101.6F17K2	101.600	25.40	55.60	15.880		115.0	180.0/40492	198.0	12.40
P101.6F18A2	101.600	31.75	15.00	10.000	37.0	41.0	40.0/9000	44.0	3.66
P101.6F21	101.600	38.10	53.80	15.875		112.2	180.0/40492	198.0	14.90
P101.6F25	101.600	36.50	50.80	19.050		112.0	200.0/44992	220.0	18.10
P101.6F30A2	101.600	38.00	22.00	10.000		52.8	100.0/22727	110.0	5.19
P101.6F35	101.600	66.70	25.00	25.400	61.0	66.0	160.0/35993	176.0	15.73
P101.6F36	101.600	57.15	33.40	15.880		92.0	180.0/40492	198.0	14.33
P101.6F39	101.600	57.15	33.30	16.000	82.0	89.0	127.0/28570	140.0	17.70

*套筒链:表中滚子直径d1为套筒直径

*Bushing chain: d1 in the table indicate the external diameter of the bushing.

输送链 Conveyor chains

带附板输送链 Conveyor chain with attachments



Vision Chain No.	P	L ₁	G	F	W	h ₄	h ₂	d ₄	t/T	d ₅
	mm	mm	mm	mm	mm	mm	mm	mm	mm	mm
*P28	28.575	28.58	51.00	46.74	61.20	13.70	22.23	8.75	3.10	
*P28F1	28.575	28.58	50.80	46.80	61.86	12.70	22.23	9.02	3.10	
P38.1F2	38.100	△	28.00	56.00	76.00	17.20	19.00	9.00	3.00	
P42F2	42.000	△	35.00	40.00	76.00	12.80	17.00	6.00	3.00	
P42.5	42.500	19.00	38.00	53.50	70.00	19.50	22.00	7.00	3.25	
P44.45F5	44.450	△	34.93	57.16	74.46	19.05	19.05	8.00	3.80	
P46	46.000	△	38.00	54.00	82.80	18.00	22.00	6.00	4.00	
P75F6	75.000	30.00	55.00	60.00	92.00	20.00	22.00	10.00	3.00	
P76.2F1	76.200	31.00	58.00	75.40	107.00	21.25	29.00	10.50	4.50	
P78.11F8	78.110	30.00	65.00	120.00	150.00	35.00	38.10	12.00	7.90	
P78.11F9	78.110	38.10	116.60	104.60	133.30	31.75	38.10	14.30	7.90	
P80F4	80.000	40.00	70.20	57.40	87.40	22.95	27.10	8.50	5.60/4.15	
P100F1	100.000	78.00	96.00	73.00	103.00	17.50	32.00	7.00	5.00	
P100F2	100.000	40.00	70.00	68.00	98.00	17.50	32.00	9.00	5.00	
P100F3	100.000	40.00	70.00	100.00	128.00	28.00	38.10	12.00	6.00	
P100F4	100.000	40.00	65.00	70.00	94.00	22.00	32.00	10.00	4.50	
P100F5	100.000	40.00	65.00	70.00	94.00	22.00	32.00	10.00	4.50	
P100F12	100.000	60.00	90.00	98.00	128.00	34.00	40.00	11.50	5.00	64.0
P100F15	100.000	29.85	65.00	75.00	115.60	20.00	28.00	9.00	4.80	
P100F33	100.000	40.00	65.00	78.30	102.30	24.30	32.00	10.00	6.00	50.0
P100F41A2	100.000	40.00	70.00	80.00	126.00	25.00	31.80	12.00	6.30	60.0
P100F50	100.000	40.00	70.00	156.00	196.00	43.00	60.00	9.00	8.00	
*P101.6F1	101.600	44.00	73.00	136.00	165.00	30.00	40.00	11.00	10.00	
P101.6F9	101.600	31.00	65.00	75.40	107.00	21.25	29.00	10.50	4.50	
*P101.6F17K2	101.600	44.50	84.00	136.00	172.00	25.40	38.00	11.00	10.00	
P101.6F18A2	101.600	30.00	60.00	76.00	124.00	19.00	25.00	10.50	4.00	
P101.6F21	101.600	44.50	141.20	134.90	177.80	28.70	38.10	14.00	9.65	
P101.6F25	101.600	44.45	152.40	140.70	171.60	41.28	44.45	13.50	9.50	
P101.6F30A2	101.600	40.00	70.00	80.00	107.00	22.00	30.00	11.50	5.00	
P101.6F35	101.600	50.00	70.00	107.00	127.00	40.00	51.00	10.00	6.00	

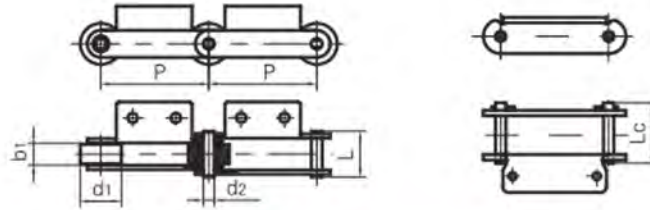
△附板带一个孔
△Attachments with 1 hole

*套筒链:表中滚子直径d1为套筒直径
*Bushing chain: d1 in the table indicate the external diameter of the bushing.

输送链 Conveyor chains

带附板输送链

Conveyor chain with attachments



Vision Chain No.	节距	滚子直径	内节内宽	销轴直径	销轴长度		极限拉伸载荷	平均拉伸载荷	每米长重
	Pitch	Roller diameter	Width between inner plates	Pin diameter	Pin length		Ultimate tensile strength	Average tensile strength	Weight per meter
	P	d1 max	b1 min	d2 max	L max	Lc max	Q min	Q0	q
	mm	mm	mm	mm	mm	mm	kN/LB	kN	kg/m
P120	120.000	50.00	28.00	12.00	54.0	58.0	160.0/35993	176.0	8.14
P125F2	125.000	32.00	18.50	8.00	39.0		120.0/26995	132.0	2.66
P125F9A2	125.000	45.00	25.00	14.60	55.5	60.0	50.0/11248	55.0	2.58
P150F2	150.000	40.00	27.00	11.10	57.0	61.0	124.6/28318	137.0	5.40
P150F4	150.000	50.00	37.00	16.00	77.5	82.5	170.0/38636	187.0	10.90
P150F6	150.000	50.00	30.00	12.00	49.5		86.7/19704	95.0	7.27
P150F11A2	150.000	46.70	21.50	15.00	46.6	51.5	130.0/29245	142.0	7.13
P150F13A2	150.000	46.70	21.50	15.00	50.6	55.5	130.0/29245	142.0	8.52
P150F14A2	150.000	46.70	21.50	19.00	50.6	55.5	130.0/29245	142.0	8.59
P150F16A2	150.000	45.00	30.00	16.00	55.5		170.0/38243	187.0	8.56
P150F18	150.000	50.00	37.00	16.00	77.5	82.5	170.0/38243	187.0	14.49
RF10150RA2	150.000	50.80	30.00	14.50	69.0		113.0/25682	124.0	9.20
P152F	152.400	40.10	37.50	19.10	97.5		328.7/74704	378.0	15.88
P152F4	152.400	50.80	30.60	14.27	62.8	67.5	88.0/20000	100.0	9.24
P152F11	152.400	38.00	53.50	14.70	112.4		130.0/29245	142.0	12.60
P152F16	152.400	70.00	76.20	25.40	152.0		160.0/35993	176.0	41.50
P152F19	152.400	50.80	30.60	14.27	62.8	67.5	112.0/25195	123.2	9.24
P152F20	152.400	47.60	39.70	19.05	99.7		300.0/67487	330.0	18.33
P152F32K2	152.400	36.00	45.00	20.00	103.0		300.0/67487	330.0	14.93
P152F33	152.400	36.00	68.00	20.00	128.0		300.0/67487	330.0	16.50
P152F43	152.400	76.20	35.00	23.81	108.0		446.8/100510	513.5	27.60
P152F50	152.400	101.60	44.00	22.20	87.0		250.0/56240	275.0	26.70
P152F54	152.400	30.00	53.00	16.00	112.0		175.0/39380	193.0	11.10
P152F56	152.400	50.80	33.34	15.88	86.0		113.0/25420	124.3	10.70
*P160F1	160.000	36.00	55.00	20.00	108.0		50.0/11364	55.0	14.50
P160F3	160.000	48.00	25.00	14.85	62.50		120.0/27272	132.0	7.10
P160F5	160.000	60.00	33.00	14.27	64.0	72.0	150.0/34091	165.0	8.00
P160F8	160.000	40.00	20.00	11.00	50.0		55.0/12500	61.0	4.58

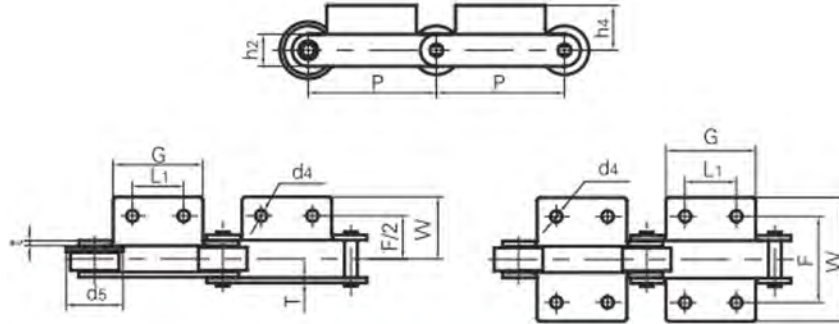
*套筒链:表中滚子直径d1为套筒直径

*Bushing chain: d1 in the table indicate the external diameter of the bushing.

输送链 Conveyor chains

带附板输送链

Conveyor chain with attachments

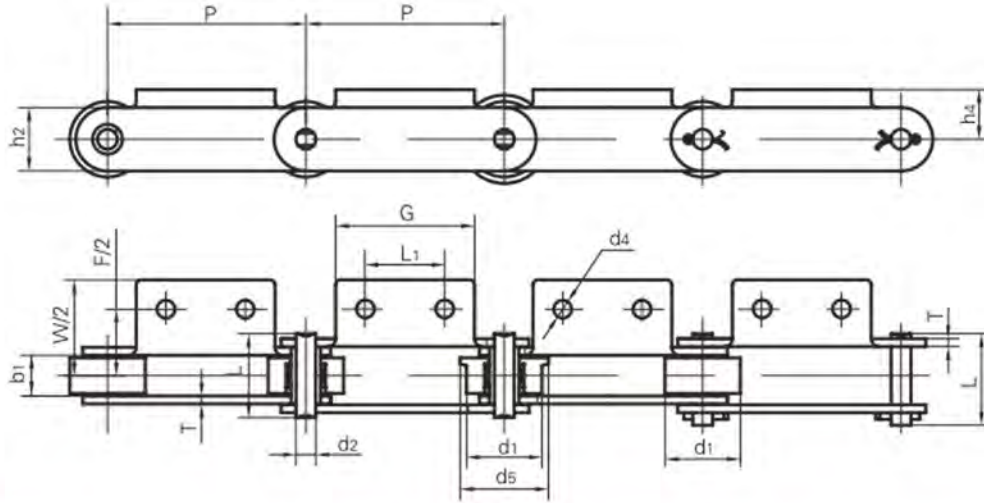


Vision Chain No.	P	L ₁	G	F	W	h ₄	h ₂	d ₄	T	d ₅
	mm	mm	mm	mm	mm	mm	mm	mm	mm	mm
P120	120.000	50.00	75.00	82.00	119.60	20.00	40.00	7.00	5.00	59.0
P125F2	125.000	46.00	76.00	64.00	90.00	14.00	22.00	10.00	3.00	42.00
P125F9A2	125.000	30.00	60.00	90.00	128.00	35.00	35.00	11.00	6.00/5.00	55.00
P150F2	150.000	60.00	85.00	92.00	117.3	22.50	32.00	10.00	6.00	
P150F4	150.000	60.00	85.00	120.00	150.00	33.00	43.00	14.00	8.00	
P150F6	150.000	50.00	75.00	86.60	126.60	17.50	35.00	9.00 × 26.00	4.00	59.0
P150F11A2	150.000	36.00	60.00	163.50	189.60	40.15	39.70	10.60	5.00	
P150F13A2	150.000	36.00	60.00	164.00	193.50	52.00	40.00	11.00	6.00	
P150F14A2	150.000	36.00	60.00	164.00	193.50	52.00	40.00	11.00	6.00	
P150F16A2	150.000	60.00	90.00	110.00	140.00	32.00	38.00	12.00	8.00	
P150F18	150.000	60.00	85.00	120.00	150.00	33.00	43.00	M10	8.00	
RF10150RA2	150.000	60.00	90.00	100.00	130.00	28.00	38.10	12.00	6.30	
P152F	152.400	60.00	100.00	130.00	202.00	45.00	50.00	15.00	9.00	
P152F4	152.400	60.00	100.00	110.00	140.00	32.00	38.00	15.00	6.00	65.0
P152F11	152.400	44.60	74.80	133.70	168.00	24.00	39.00	10.80	9.60/11.40	
P152F16	152.400	63.50	178.50	184.15	241.15	47.65	63.50	20.70	12.70	
P152F19	152.400	60.00	100.00	110.00	140.00	32.00	38.00	15.00	6.00	65.0
P152F20	152.400		76.20	120.65	172.30	41.30	50.80	17.50	9.50	
P152F32K2	152.400	60.00	110.00	135.00	171.00	40.00	52.00	14.00	10.00	
P152F33	152.400	60.00	110.00	158.00	194.00	40.00	52.00	14.00	10.00	
P152F43	152.400	76.20	108.00	111.10	155.60	44.45	60.30	12.70	11.10	
P152F50	152.400	63.50	102.00	101.60	135.00	37.50	65.00	13.50	6.00	
P152F54	152.400	45.00	74.00	135.00	165.0	25.40	39.00	11.00	10.00	
P152F56	152.400	50.80	76.20	101.60	133.40	28.60	38.10	11.10	8.00	
*P160F1	160.000	60.00	110.00	130.00	173.00	40.00	50.000	14.00	9.00	
P160F3	160.000	49.00	70.00	83.00	117.00	32.50	35.00	8.50	6.00	
P160F5	160.000	35.00	70.00	110.00	166.00	38.70	40.00	14.00	5.60	
P160F8	160.000	80.50	133.00	56.00	100.00	16.00	32.00	8.33 × 13.30	4.50	

输送链 Conveyor chains

带附板输送链

Conveyor chain with attachments

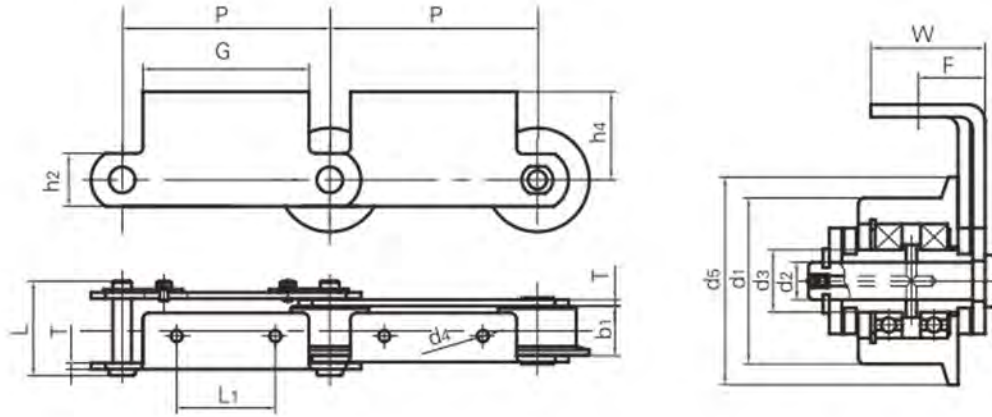


Vision Chain No.	节距	滚子直径	内节内宽	销轴直径	销轴长度		极限拉伸载荷	平均拉伸载荷	每米长重
	Pitch	Roller diameter	Width between inner plates	Pin diameter	L	Lc	Ultimate tensile strength	Average tensile strength	Weight per meter
	P	d1 max	b1 min	d2 max	L max	Lc max	Q min	Q0	q
	mm	mm	mm	mm	mm	mm	kN/LB	kN	kg/m
M56F4-P-100	100.0	38.0	20.5	10.00	42.3	46.1	56.0/12727	62.0	4.30
M56F7-P-100	100.0	38.0	17.0	10.00	38.8	42.6	56.0/12727	62.0	4.84
M56F9-P-100	100.0	38.0	20.5	10.00	46.3	50.1	88.2/20045	97.0	5.60
P100	100.0	50.0	29.9	13.94	60.0		160.0/36364	176.0	9.27
P160	160.0	50.0	29.9	13.94	60.0		160.0/36364	176.0	7.23
P200F28	200.0	65.0	37.1	16.00	77.5	85.5	160.0/36364	176.0	14.10
P200F31	200.0	80.0	37.1	16.00	77.5	85.5	160.0/36364	176.0	18.10
P300	300.0	80.0	45.0	23.81	95.5	103.0	300.0/68181	320.0	24.32
P350	350.0	80.0	45.0	23.81	95.5	103.0	300.0/68181	320.0	23.60
P400F1	400.0	80.0	45.0	23.81	95.5	103.0	300.0/68181	320.0	22.67

Vision Chain No.	L1	G	F	W	h4	h2	d4	T	ds
	mm	mm	mm	mm	mm	mm	mm	mm	mm
M56F4-P-100	40.0	70.0	68.5	98.50	25.0	25.0	9.0	4.0	44.5
M56F7-P-100	40.0	70.0	71.5	92.00	55.0	25.0	6.5	4.0	45.0
M56F9-P-100	40.0	70.0	67.5	96.58	25.0	32.0	9.0	5.0	44.5
P100	40.0	65.0	98.0	128.00	35.0	40.0	10.0	4.0	65.0
P160	85.0	115.0	94.0	124.00	35.0	40.0	10.0	4.0	65.0
P200F28	80.0	120.0	120.0	158.00	63.0	44.5	12.0	8.0	80.0
P200F31	80.0	140.0	120.0	158.00	85.0	44.5	M10	8.0	100.0
P300	200.0	250.0	150.0	190.00	105.0	60.0	13.0	10.0	100.0
P350	250.0	300.0	150.0	190.00	105.0	60.0	13.0	10.0	100.0
P400F1	300.0	350.0	150.0	190.00	105.0	60.0	15.0	10.0	100.0

输送链 Conveyor chains

带附板输送链 Conveyor chain with attachments

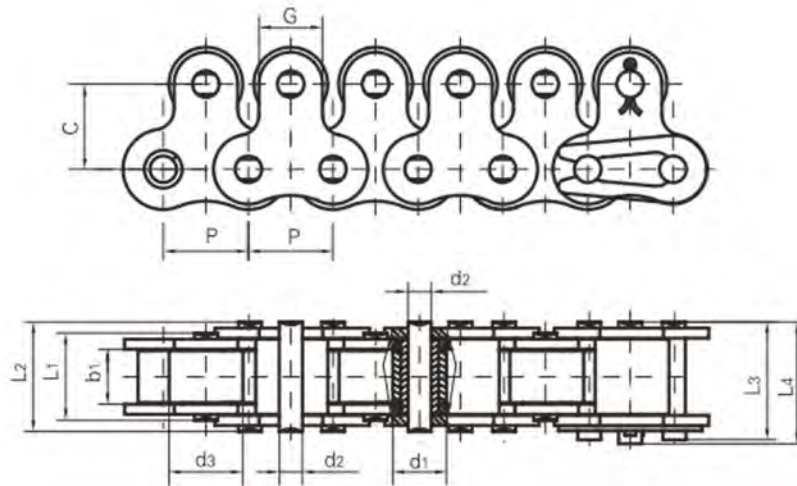


Vision Chain No.	节距	滚子直径		内节内宽	销轴直径	销轴长度	套筒直径	链板高度	链板厚度	极限拉伸载荷
	Pitch	Roller diameter		Width between inner plates	Pin diameter	Pin length	Bush diameter	plate depth	Plate thickness	Ultimate tensile strength
	P	d1 max	d5	b1 min	d2 max	L max	d3 max	h2 max	T max	Q min
	mm	mm	mm	mm	mm	mm	mm	mm	mm	kN/LB
M160F6-F-200	200.0	80.0	98.0	47.5	18.0	91.0	30.0	51.0	6.0	160.0/35993
M160F7-F-200	200.0	80.0	98.0	47.5	18.0	99.0	30.0	51.0	8.0	160.0/35993
M224F9-F-200	200.0	90.0	105.0	44.5	26.0	112.0	35.0	60.0	8.0	224.0/50390

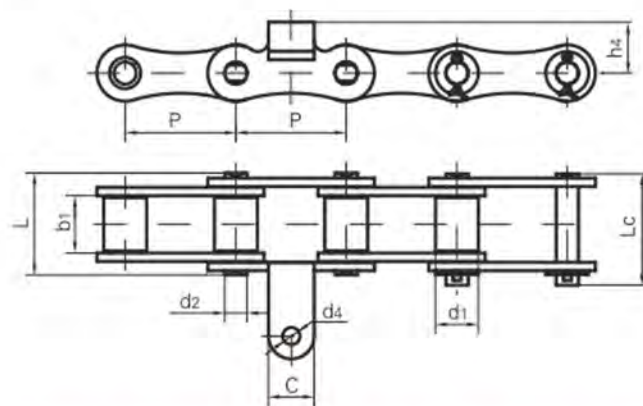
Vision Chain No.	P	L1	G	F	W	h4	d4
	mm	mm	mm	mm	mm	mm	mm
M160F6-F-200	200.0	95.0	160.0	32.0	55.0	85.0	11.0
M160F7-F-200	200.0	95.0	160.0	36.0	59.0	85.0	11.0
M224F9-F-200	200.0	120.0	160.0	35.0	50.0	85.0	12.0

输送链 Conveyor chains

带特殊附板输送链 Conveyor chain with special attachments



Vision Chain No.	节距	滚子直径		内节内宽	销轴直径	销轴长度				链板尺寸		极限拉伸载荷	每米长重
	Pitch	Roller diameter		Width between inner plates	Pin diameter	Pin length				Plate dimension		Ultimate tensile strength	Weight per meter
	P	d1 max	d3 max	b1 min	d2 max	L1 max	L2 max	L3 max	L4 max	G	C	Q min	q
	mm	mm	mm	mm	mm	mm	mm	mm	mm	mm	mm	kN/LB	kg/m
40-1-1LTR	12.700	7.95	11.0	7.85	3.96	13.5	16.6	17.8	18.8	9.5	12.7	14.1/3250	1.44
50-1-1LTR	15.875	10.16	15.0	9.40	5.08	16.5	20.7	22.2	23.3	12.7	15.9	22.2/5405	2.30
60-1-1LTR	19.050	11.91	18.0	12.57	5.94	21.0	25.9	27.7	28.3	15.9	18.3	31.8/7227	3.40
80-1-1LTR	25.400	15.88	24.0	15.75	7.92	26.2	32.7	35.0	36.5	19.1	24.6	56.7/12886	5.90
100-1-1LTR	31.750	19.05	30.0	18.90	9.53	32.3	40.4	44.7	44.7	25.4	31.8	88.5/20114	8.90

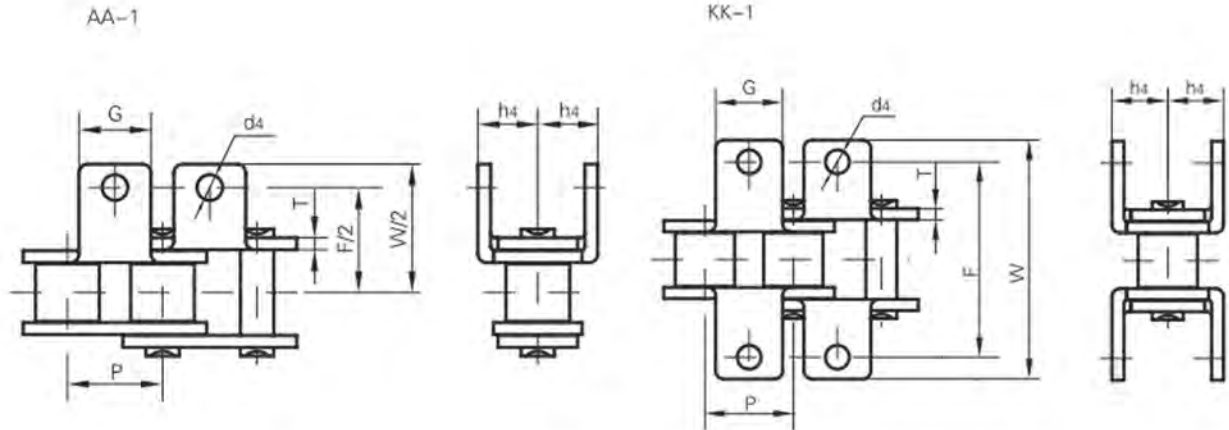


Vision Chain No.	节距	滚子直径	内节内宽	销轴直径	销轴长度		链板尺寸			极限拉伸载荷	平均拉伸载荷	每米长重
	Pitch	Roller diameter	Width between inner plates	Pin diameter	Pin length		Plate dimension			Ultimate tensile strength	Average tensile strength	Weight per meter
	P	d1 max	b1 min	d2 max	L max	Lc max	C	h4	d4	Q min	Q0 min	q
	mm	mm	mm	mm	mm	mm	mm	mm	mm	kN/LB	kN	kg/m
41PF	41.3	16.0	21.1	8.28	38.5	42.2	17.0	19.0	6.4	48.0/10906	52.8	2.57

输送链 Conveyor chains

短节距输送链附件

Short pitch conveyor chain with attachments



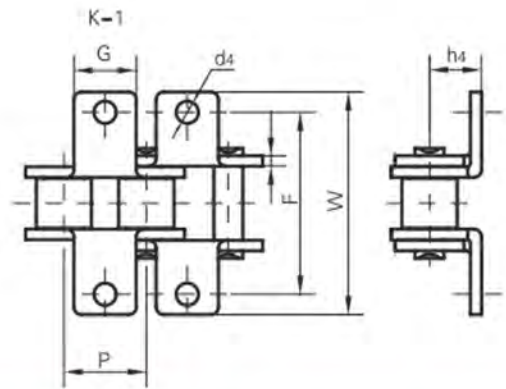
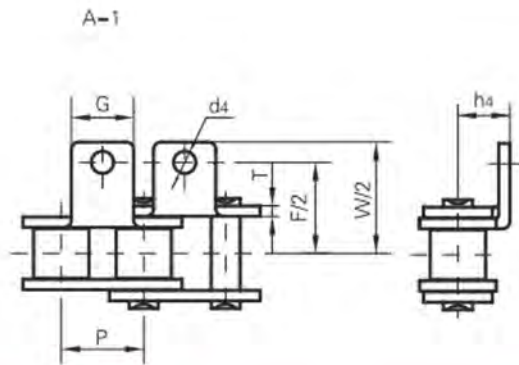
DIN/ISO 链号 DIN/ISO Chain No.	ANSI 链号 ANSI Chain No.	P	G	F	W	T	h ₄	d ₄
		mm	mm	mm	mm	mm	mm	mm
08A	40	12.700	9.5	25.40	35.2	1.50	7.90	3.4
10A	50	15.875	12.7	31.75	46.2	2.03	10.30	5.5
12A	60	19.050	15.9	38.10	55.6	2.42	11.90	5.5
16A	80	25.400	19.1	50.80	64.8	3.25	15.90	6.8
20A	100	31.750	25.4	63.50	87.3	4.00	19.80	9.2
24A	120	38.100	28.6	76.20	108.5	4.80	23.00	9.8
*06B		9.525	8.0	19.04	27.0	1.30	6.50	3.5
08B		12.700	9.5	25.40	36.4	1.60	8.90	4.5
10B		15.875	14.3	31.75	44.6	1.70	10.31	5.3
12B		19.050	16.0	38.10	52.4	1.85	13.46	6.4
16B		25.400	19.1	50.80	72.6	3.10	15.88	6.4
20B		31.750	35.0	63.50	100.5	3.50	19.80	9.0
24B		38.100	30.0	76.20	108.4	4.80	26.67	10.5

*直板链
*Straight side plates

输送链 Conveyor chains

短节距输送链附件

Short pitch conveyor chain with attachments



DIN/ISO 链号 DIN/ISO Chain No.	ANSI 链号 ANSI Chain No.	P	G	F	W	T	h ₄	d ₄
		mm	mm	mm	mm	mm	mm	mm
04C	25	6.350	5.6	13.80	23.2	0.80	4.30	3.4
06C	35	9.525	7.9	19.00	28.60	1.30	6.35	3.4
08A	40	12.700	9.5	25.40	35.20	1.50	7.90	3.4
085	41	12.700	9.5	24.00	33.4	1.30	6.90	3.6
10A	50	15.875	12.7	31.75	46.2	2.03	10.30	5.5
12A	60	19.050	15.9	38.10	55.6	2.42	11.90	5.5
16A	80	25.400	19.1	50.80	64.8	3.25	15.90	6.8
20A	100	31.750	25.4	63.50	87.3	4.00	19.80	9.2
24A	120	38.100	28.6	76.20	108.5	4.80	23.00	9.8
28A	140	44.450	34.9	88.90	123.0	5.60	28.60	11.4
32A	160	50.800	38.1	101.60	142.8	6.40	31.75	13.1
40A	200	63.500	50.8	127.00	179.0	8.00	42.88	16.3
*06B		9.525	8.0	19.04	27.0	1.30	6.50	3.5
08B		12.700	9.5	25.40	36.4	1.60	8.90	4.5
10B		15.875	14.3	31.75	44.6	1.70	10.31	5.3
12B		19.050	16.0	38.10	52.4	1.85	13.46	6.4
16B		25.400	19.1	50.80	72.6	3.10	15.88	6.4
20B		31.750	35.0	63.50	100.5	3.50	19.80	9.0
24B		38.100	30.0	76.20	108.4	4.80	26.67	10.5
28B		44.450	35.0	88.90	123.0	6.00	28.58	13.1
32B		50.800	38.1	101.60	142.8	6.00	31.75	13.1

*直板链
*Straight side plates

输送链 Conveyor chains

短节距输送链附件

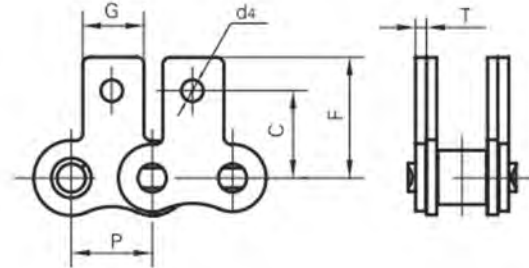
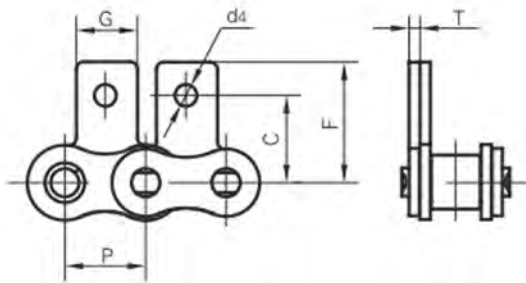
Short pitch conveyor chain with attachments



SA-1/M1 单侧(one side)



SK-1/M1 双侧(both sides)



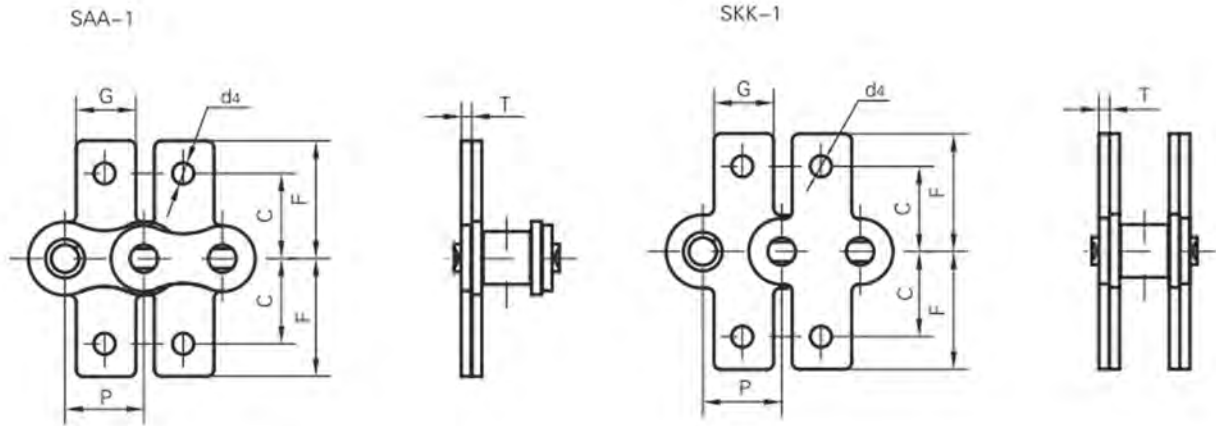
DIN/ISO 链号 DIN/ISO Chain No.	ANSI 链号 ANSI Chain No.	P	G	C	F	T	d ₄
		mm	mm	mm	mm	mm	mm
04C	25	6.350	5.6	7.95	11.7	0.8	3.4
06C	35	9.525	7.9	9.50	14.55	1.30	3.4
08A	40	12.700	9.5	12.70	19.05	1.50	3.4
085	41	12.700	9.5	11.85	16.55	1.30	3.6
10A	50	15.875	12.7	15.90	25.25	2.03	5.5
12A	60	19.050	15.9	18.30	29.33	2.42	5.5
16A	80	25.400	19.1	24.60	34.70	3.25	6.8
20A	100	31.750	25.4	31.80	43.30	4.00	9.2
24A	120	38.100	28.6	36.50	51.60	4.80	9.8
28A	140	44.450	34.9	44.50	62.00	5.60	11.4
32A	160	50.800	38.1	50.80	69.85	6.40	13.1
40A	200	63.500	50.8	63.50	88.90	8.00	16.3
*06B		9.525	8.0	9.52	13.50	1.30	3.5
08B		12.700	9.5	13.35	18.90	1.60	4.3
10B		15.875	14.3	16.50	22.95	1.70	5.3
12B		19.050	16.0	21.45	28.60	1.85	6.4
16B		25.400	19.1	23.15	34.00	3.10	6.4
20B		31.750	35.0	30.50	45.70	3.50	9.0
24B		38.100	36.0	42.70	61.50	4.80	10.5

*直板链
*Straight side plates

输送链 Conveyor chains

短节距输送链附件

Short pitch conveyor chain with attachments

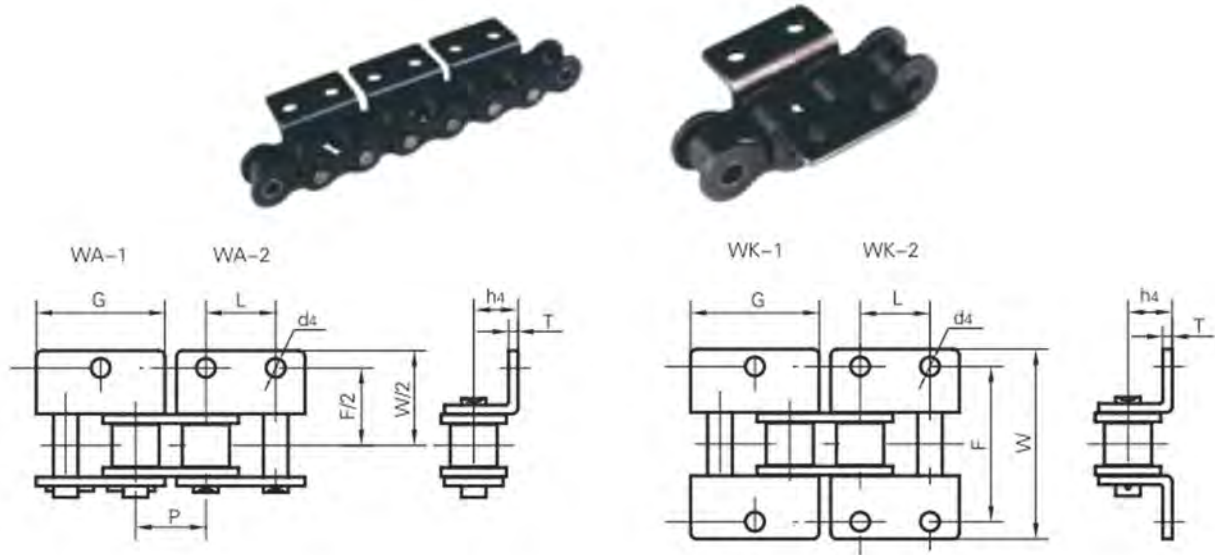


DIN/ISO 链号 DIN/ISO Chain No.	ANSI 链号 ANSI Chain No.	P	G	C	F	T	d ₄
		mm	mm	mm	mm	mm	mm
08A	40	12.700	9.5	12.70	19.05	1.50	3.4
10A	50	15.875	12.7	15.90	25.25	2.03	5.5
12A	60	19.050	15.9	18.30	29.33	2.42	5.5
16A	80	25.400	19.1	24.60	34.70	3.25	6.8
20A	100	31.750	25.4	31.80	43.30	4.00	9.2
24A	120	38.100	28.6	73.00	103.20	4.80	9.8
*06B		9.525	8.0	9.52	13.50	1.30	3.5
08B		12.700	9.5	13.35	18.90	1.60	4.3
10B		15.875	14.3	16.50	22.95	1.70	5.3
12B		19.050	16.0	21.45	28.60	1.85	6.4
16B		25.400	19.1	23.15	34.00	3.10	6.4
20B		31.750	35.0	30.50	45.70	3.50	9.0
24B		38.100	36.0	85.4	123.0	4.80	10.5

*直板链
*Straight side plates

输送链 Conveyor chains

短节距输送链附件 Short pitch conveyor chain with attachments

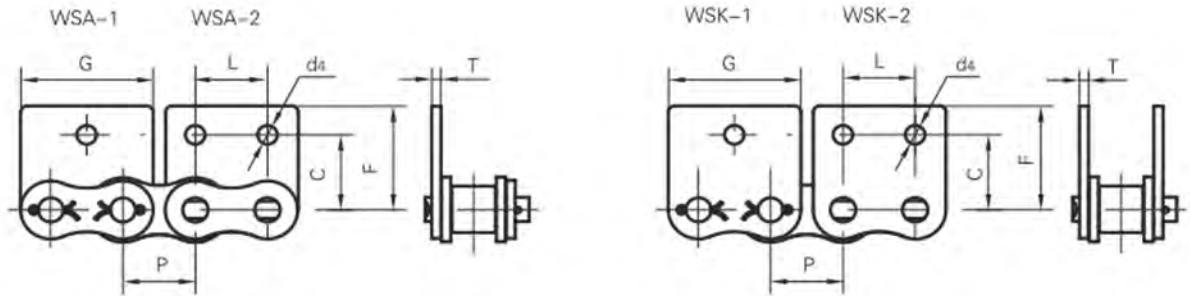


DIN/ISO 链号 DIN/ISO Chain No.	ANSI 链号 ANSI Chain No.	P	G	L	F	W	T	h ₄	d ₄
		mm	mm	mm	mm	mm	mm	mm	mm
04C	25	6.350	11.41	6.350	13.80	23.2	0.80	4.30	3.4
06C	35	9.525	17.32	9.525	19.00	28.6	1.30	6.35	2.8
08A	40	12.700	23.00	12.700	25.40	35.6	1.50	7.90	3.4
085	41	12.700	22.30	12.700	24.00	35.0	1.30	7.20	4.85
10A	50	15.875	28.80	15.875	31.75	46.8	2.03	10.30	5.5
12A	60	19.050	34.65	19.050	38.10	56.4	2.42	11.90	5.5
16A	80	25.400	45.90	25.400	50.80	73.2	3.25	15.90	6.8
20A	100	31.750	57.65	31.750	63.50	89.8	4.00	19.80	9.2
24A	120	38.100	69.30	38.100	76.20	108.8	4.80	23.00	9.8
28A	140	44.450	80.45	44.450	88.90	123.0	5.60	28.60	11.4
32A	160	50.800	92.00	50.800	101.60	142.8	6.40	31.75	13.1
40A	200	63.500	115.5	63.500	127.00	179.0	8.00	42.88	16.3
*06B		9.525	17.72	9.525	19.04	27.0	1.30	6.50	3.5
08B		12.700	24.00	12.700	25.40	36.4	1.60	8.90	4.3
10B		15.875	29.58	15.875	31.80	44.6	1.70	10.31	5.3
12B		19.050	34.05	19.050	38.10	52.4	1.85	13.46	6.4
16B		25.400	46.40	25.400	50.80	72.6	3.10	15.88	6.4
20B		31.750	58.10	31.750	63.00	100.5	3.50	19.80	9.0
24B		38.100	71.30	38.100	76.20	108.4	4.80	26.67	10.5
28B		44.450	81.1	44.450	88.90	123.0	6.00	28.58	13.1
32B		50.800	92.8	50.800	101.60	142.8	6.00	31.75	13.1

*直板链
*Straight side plates

输送链 Conveyor chains

短节距输送链附件 Short pitch conveyor chain with attachments



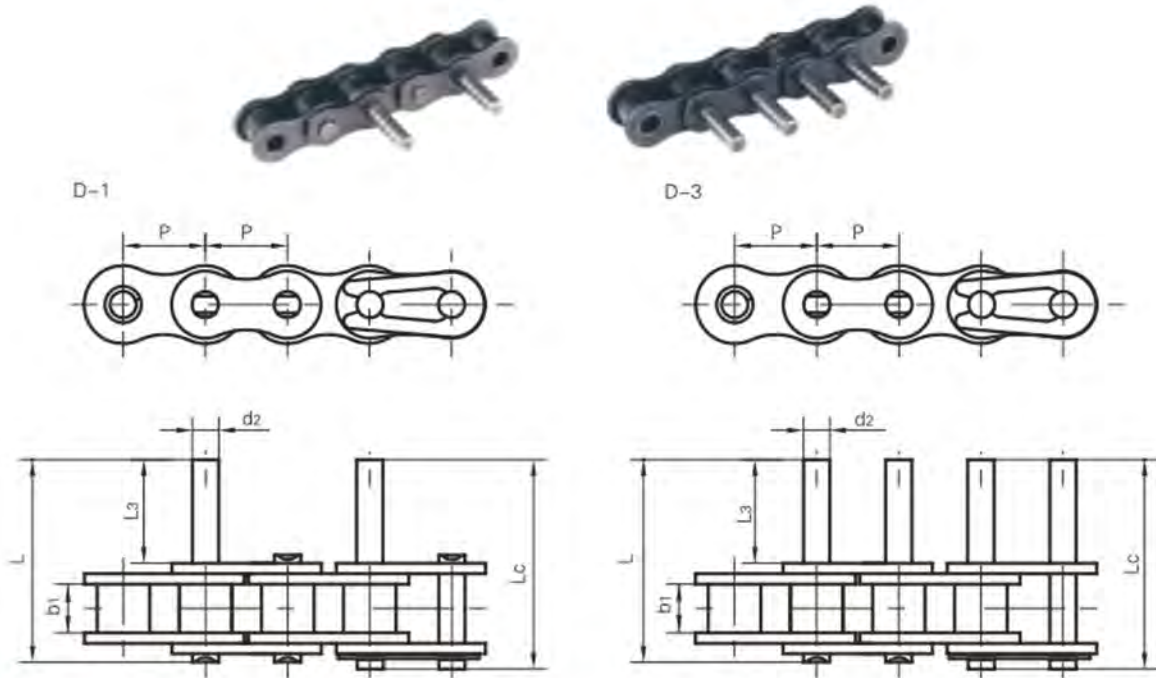
DIN/ISO 链号 DIN/ISO Chain No.	ANSI 链号 ANSI Chain No.	P	G	L	C	F	T	d ₄
		mm	mm	mm	mm	mm	mm	mm
04C	25	6.350	11.41	6.350	7.95	11.70	0.80	3.4
06C	35	9.525	17.32	9.525	9.50	14.55	1.30	2.8
08A	40	12.700	23.00	12.700	12.70	17.40	1.50	3.4
085	41	12.700	21.20	12.700	11.85	16.55	1.30	3.6
10A	50	15.875	28.80	15.875	15.90	23.05	2.03	5.5
12A	60	19.050	34.65	19.050	18.30	26.86	2.42	5.5
16A	80	25.400	45.90	25.400	24.60	35.45	3.25	6.8
20A	100	31.750	57.65	31.750	31.80	44.00	4.00	9.2
24A	120	38.100	69.30	38.100	36.50	51.60	4.80	9.8
28A	140	44.450	80.45	44.450	44.50	62.00	5.60	11.4
32A	160	50.800	92.00	50.800	50.80	69.85	6.40	13.1
40A	200	63.500	115.5	63.500	63.50	88.90	8.00	16.3
*06B		9.525	17.72	9.525	9.52	13.50	1.30	3.5
08B		12.700	23.30	12.700	13.35	18.90	1.60	4.3
10B		15.875	29.58	15.875	16.50	22.95	1.70	5.3
12B		19.050	34.05	19.050	21.45	28.60	1.85	6.4
16B		25.400	46.40	25.400	23.15	34.00	3.10	6.4
20B		31.750	58.10	31.750	30.50	45.70	3.50	9.0
24B		38.100	71.30	38.100	42.70	61.50	4.80	10.5

*直板链
*Straight side plates

输送链 Conveyor chains

短节距加长销输送链

Short pitch conveyor chain with extended pin:

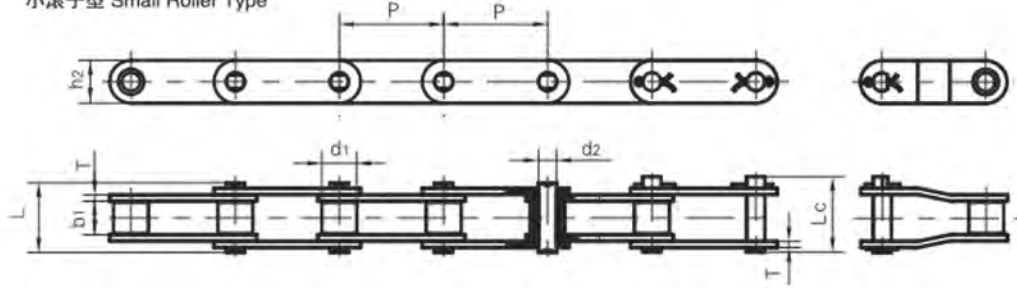


DIN/ISO 链号 DIN/ISO Chain No.	ANSI 链号 ANSI Chain No.	P	b ₁	d ₂	L ₃	L	L _c
		mm	mm	mm	mm	mm	mm
06C	35	9.525	4.77	3.58	9.5	20.8	21.6
08A	40	12.700	7.85	3.96	9.5	25.1	26.2
10A	50	15.875	9.40	5.08	11.9	31.3	33.1
12A	60	19.050	12.57	5.94	14.3	38.6	40.6
16A	80	25.400	15.75	7.92	19.1	50.3	53.3
20A	100	31.750	18.90	9.53	23.8	61.8	66.1
24A	120	38.100	25.22	11.10	28.6	76.4	80.4
28A	140	44.450	25.22	12.70	33.3	84.8	89.4
32A	160	50.800	31.55	14.27	38.1	99.6	104.4
08B		12.700	7.75	4.45	9.5	25.1	26.6
10B		15.875	9.65	5.08	11.9	30.1	31.5
12B		19.050	11.68	5.72	14.3	35.4	37.1
16B		25.400	17.02	8.28	19.1	53.0	54.3
20B		31.750	19.56	10.19	41.0	79.9	83.6
24B		38.100	25.40	14.63	50.7	101.4	105.8
28B		44.450	30.99	15.90	61.9	124.0	128.4
32B		50.800	30.99	17.81	64.8	126.8	131.8

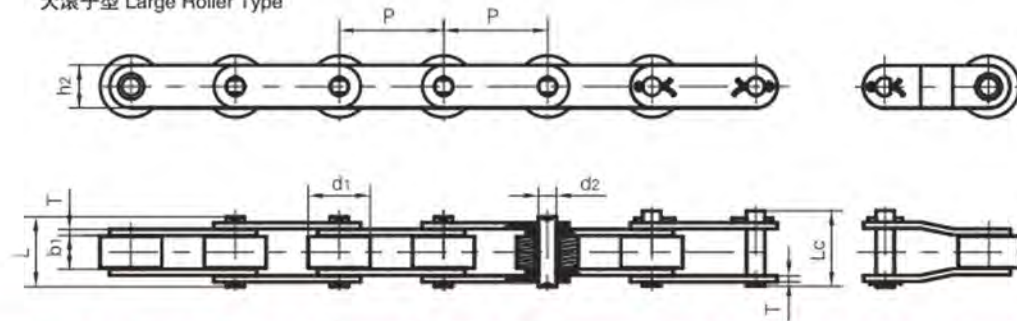
输送链 Conveyor chains

双节距输送链 Double pitch conveyor chains

小滚子型 Small Roller Type



大滚子型 Large Roller Type

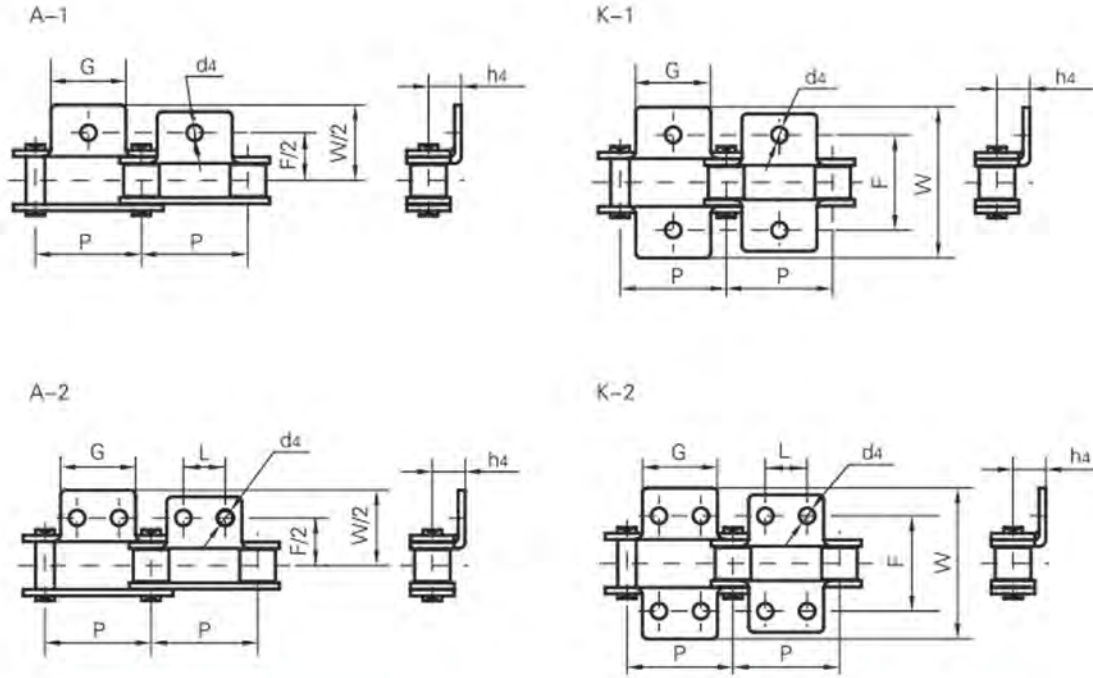


DIN/ISO 链号 DIN/ISO Chain No.	ANSI 链号 ANSI Chain No.	节距 Pitch	滚子直径 Roller diameter	内节内宽 Width between inner plates	销轴直径 Pin diameter	销轴长度 Pin length		内链板高度 Inner plate depth	链板厚度 Plate thick- ness	极限拉伸载荷 Ultimate tensile strength	平均拉伸载荷 Average tensile strength	每米长重 Weight per meter
						L max	Lc max					
		P	d1 max	b1 min	d2 max	L max	Lc max	h2 max	T max	Q min	Q0	q
		mm	mm	mm	mm	mm	mm	mm	mm	kN/LB	kN	kg/m
C208A	C2040	25.40	7.95	7.85	3.96	16.6	17.8	12.0	1.50	14.1/3205	16.7	0.50
C208AL	C2042		15.88									
C208AH	C2040H	7.95	7.85	3.96	18.8	19.9	12.0	2.03	14.1/3205	17.2	0.65	
C208B		25.40	8.51	7.75	4.45	16.7	18.2	11.8	1.60	18.0/4091	19.4	0.55
C208BL			15.88									
C210A	C2050	31.75	10.16	9.40	5.08	20.7	22.2	15.0	2.03	22.2/5045	28.1	0.78
C210AL	C2052		19.05									
C212A	C2060	38.10	11.91	12.57	5.94	25.9	27.7	18.0	2.42	31.8/7227	36.8	1.12
C212AL	C2062		22.23									
C212AH	C2060H	11.91	12.57	5.94	29.2	31.6	18.0	3.25	31.8/7227	41.6	1.44	
C212AHL	C2062H	22.23									2.07	
C216A	C2080	50.80	15.88	15.75	7.92	32.7	36.5	24.0	3.25	56.7/12886	65.7	2.08
C216AL	C2082		28.58									
C216AH	C2080H	15.88	15.75	7.92	36.2	39.4	24.0	4.00	56.7/12886	70.0	2.54	
C216AHL	C2082H	28.58									3.58	
C220A	C2100	63.50	19.05	18.90	9.53	40.4	44.7	30.0	4.00	88.5/20114	102.6	3.01
C220AL	C2102		39.67									
C220AH	C2100H	19.05	18.90	9.53	43.6	46.9	30.0	4.80	88.5/20114	112.4	3.56	
C220AHL	C2102H	39.67									5.38	
C224A	C2120	76.20	22.23	25.22	11.10	50.3	54.3	35.7	4.80	127.0/28864	147.3	4.66
C224AL	C2122		44.45									
C224AH	C2120H	22.23	25.22	11.10	53.5	57.5	35.7	5.60	127.0/28864	160.9	5.26	
C224AHL	C2122H	44.45									8.26	
C232A	C2160	101.60	28.58	31.75	14.27	64.8	69.6	47.8	6.40	226.8/51545	278.9	8.15
C232AL	C2162		57.15									
C232AH	C2160H	28.58	31.75	14.27	68.2	73.0	47.8	7.20	226.8/51545	285.8	9.06	
C232AHL	C2162H	57.15									13.84	

输送链 Conveyor chains

双节距输送链附件

Double pitch conveyor chain with attachment:

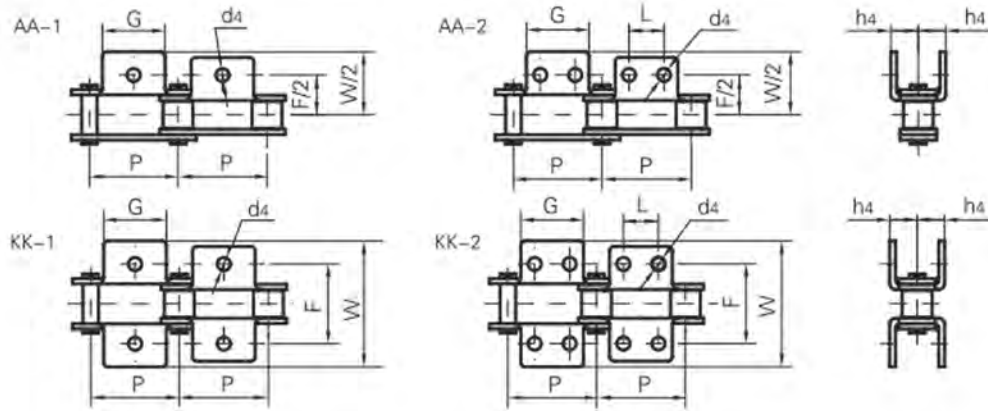


DIN/ISO 链号 DIN/ISO Chain No.	ANSI 链号 ANSI Chain No.	P	G	L	F	W	h ₄	d ₄
		mm	mm	mm	mm	mm	mm	mm
C208A C208AL	C2040 C2042	25.4	19.1	9.5	25.4	39.6	9.1	3.4
C208B C208BL		25.4	23.2	12.7	25.4	39.6	9.1	4.5
C210A C210AL	C2050 C2052	31.75	23.8	11.9	31.8	49.0	11.1	5.5
C212A C212AL	C2060 C2062	38.1	28.6	14.3	42.9	67.8	14.7	5.5
C212AH C212AHL	C2060H C2062H	38.1	28.6	14.3	42.9	67.8	14.7	5.5
C216A C216AL	C2080 C2082	50.8	38.1	19.1	55.6	87.8	19.1	6.8
C216AH C216AHL	C2080H C2082H	50.8	38.1	19.1	55.6	87.8	19.1	6.8
C220A C220AL	C2100 C2102	63.5	47.6	23.8	66.6	107.5	23.4	9.2
C220AH C220AHL	C2100H C2102H	63.5	47.6	23.8	66.6	107.5	23.4	9.2
C224A C224AL	C2120 C2122	76.2	57.2	28.6	79.3	121.4	27.8	11.0
C224AH C224AHL	C2120H C2122H	76.2	57.2	28.6	79.3	121.4	27.8	11.0
C232A C232AL	C2160 C2162	101.6	76.2	38.1	104.7	151.6	36.5	13.1
C232AH C232AHL	C2160H C2162H	101.6	76.2	38.1	104.7	151.6	36.5	13.1

输送链 Conveyor chains

双节距输送链附件

Double pitch conveyor chain with attachment:

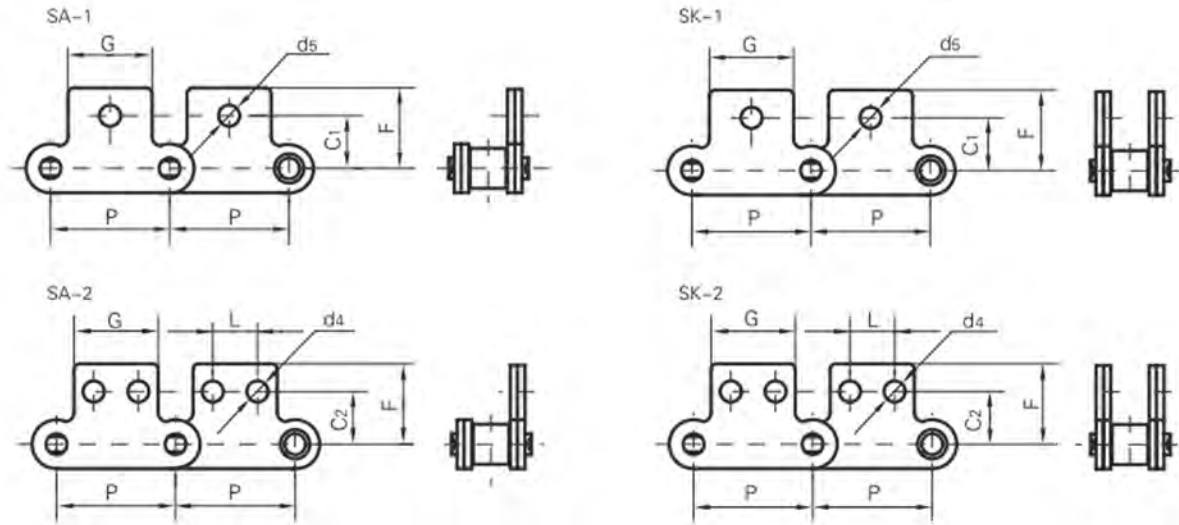


Vision Chain No.	ANSI 链号 ANSI Chain No.	P	G	L	F	W	h4	d4
		mm	mm	mm	mm	mm	mm	mm
C208A C208AL	C2040 C2042	25.40	19.1	9.5	25.4	39.6	9.1	3.4
C208B C208BL		25.40	23.2	12.7	25.4	39.6	9.1	4.5
C210A C210AL	C2050 C2052	31.75	23.8	11.9	31.8	49.0	11.1	5.5
C212A C212AL	C2060 C2062	38.10	28.6	14.3	42.9	67.8	14.7	5.5
C212AH C212AHL	C2060H C2062H	38.10	28.6	14.3	42.9	67.8	14.7	5.5
C216A C216AL	C2080 C2082	50.80	38.1	19.1	55.6	87.8	19.1	6.8
C216AH C216AHL	C2080H C2082H	50.80	38.1	19.1	55.6	87.8	19.1	6.8
2060AA2F1		38.10	38.1	19.0	37.5	57.5	14.8	6.5
C2080K1F4		50.80	38.1		80.0	112.0	15.3	8.5
C2082HAA1F1		50.80	25.0		78.8	128.8	17.5	8.0
C2082HAA1F2		50.80	25.0		77.8	127.8	17.5	12.0

输送链 Conveyor chains

双节距输送链附件

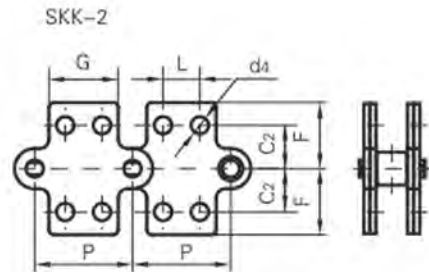
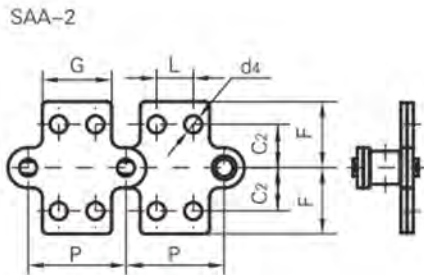
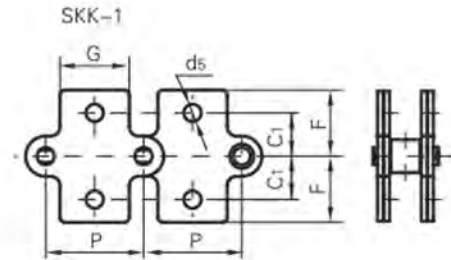
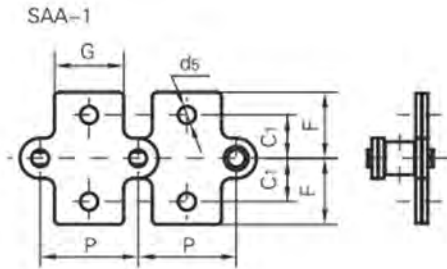
Double pitch conveyor chain with attachment:



Vision Chain No.	ANSI 链号 ANSI Chain No.	P	G	L	C ₁	C ₂	F	d ₄	d ₅
		mm	mm	mm	mm	mm	mm	mm	mm
C208A C208AL	C2040 C2042	25.40	19.1	9.5	11.1	13.5	20.5	3.4	5.5
C208B C208BL		25.40	23.2	12.7	11.1	13.5	20.5	4.5	5.5
C210A C210AL	C2050 C2052	31.75	23.8	11.9	14.3	15.9	25.0	5.5	6.6
C212A C212AL	C2060 C2062	38.10	28.6	14.3	17.5	19.1	32.9	5.5	9.2
C212AH C212AHL	C2060H C2062H	38.10	28.6	14.3	17.5	19.1	32.9	5.5	9.2
C216A C216AL	C2080 C2082	50.80	38.1	19.1	22.2	25.4	43.5	6.6	11.0
C216AH C216AHL	C2080H C2082H	50.80	38.1	19.1	22.2	25.4	43.5	6.6	11.0
C220A C220AL	C2100 C2102	63.50	47.6	23.8	28.6	31.8	50.4	8.4	13.0
C220AH C220AHL	C2100H C2102H	63.50	47.6	23.8	28.6	31.8	50.4	8.4	13.0

输送链 Conveyor chains

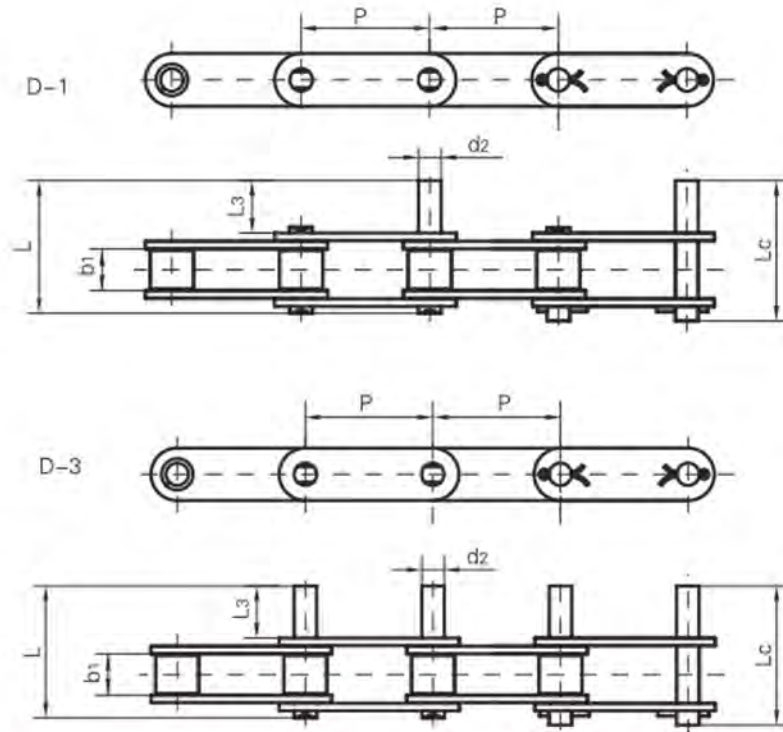
双节距输送链附件 Double pitch conveyor chain with attachment:



Vision Chain No.	ANSI 链号 ANSI Chain No.	P	G	L	C ₁	C ₂	F	d ₄	d ₅
		mm	mm	mm	mm	mm	mm	mm	mm
C208A C208AL	C2040 C2042	25.40	19.1	9.5	11.1	13.5	20.5	3.4	5.5
C208B C208BL		25.40	23.2	12.7	11.1	13.5	20.5	4.5	5.5
C210A C210AL	C2050 C2052	31.75	23.8	11.9	14.3	15.9	25.0	5.5	6.6
C212A C212AL	C2060 C2062	38.10	28.6	14.3	17.5	19.1	32.9	5.5	9.2
C212AH C212AHL	C2060H C2062H	38.10	28.6	14.3	17.5	19.1	32.9	5.5	9.2
C216A C216AL	C2080 C2082	50.80	38.1	19.1	22.2	25.4	43.5	6.6	11.0
C216AH C216AHL	C2080H C2082H	50.80	38.1	19.1	22.2	25.4	43.5	6.6	11.0

输送链 Conveyor chains

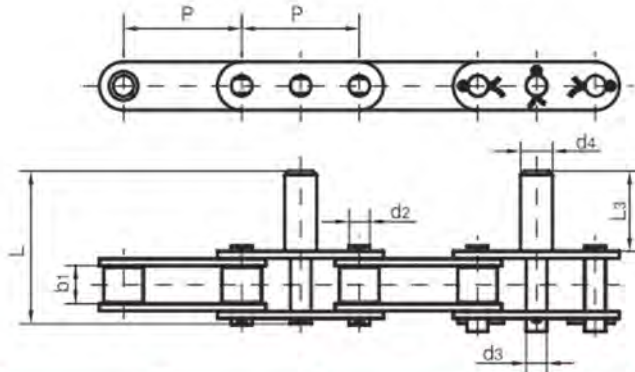
加长销双节距输送链 Double pitch conveyor chain with extended pi



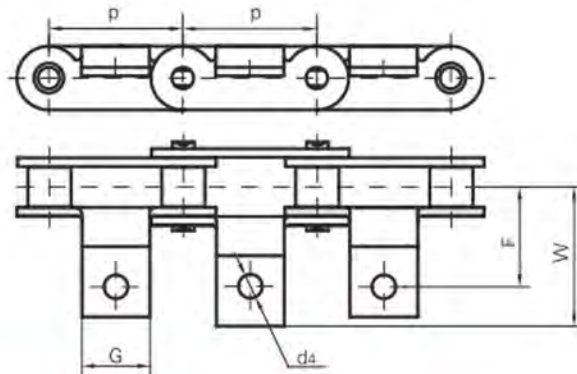
DIN/ISO 链号 DIN/ISO Chain No.	ANSI 链号 ANSI Chain No.	P	b1	d2	L3	L	Lc
		mm	mm	mm	mm	mm	mm
C208A C208AL	C2040 C2042	25.40	7.85	3.96	9.5	25.1	26.2
C210A C210AL	C2050 C2052	31.75	9.40	5.08	11.9	31.3	33.1
C212A C212AL	C2060 C2062	38.10	12.57	5.94	14.3	38.6	40.6
C212AH C212AHL	C2060H C2062H	38.10	12.57	5.94	14.3	42.0	43.8
C216A C216AL	C2080 C2082	50.80	15.75	7.92	19.1	50.3	53.3
C216AH C216AHL	C2080H C2082H	50.80	15.75	7.92	19.1	53.5	55.0
C220A C220AL	C2100 C2102	63.50	18.90	9.53	23.8	61.8	66.1
C220AH C220AHL	C2100H C2102H	63.50	18.90	9.53	23.8	65.0	68.3
C224AH C224AHL	C2120H C2122H	76.20	25.22	11.10	28.6	79.6	83.6
C232AH C232AHL	C2160H C2162H	101.60	31.75	14.27	38.1	103.0	107.8

输送链 Conveyor chains

加长销双节距输送链 Double pitch conveyor chain with extended pi



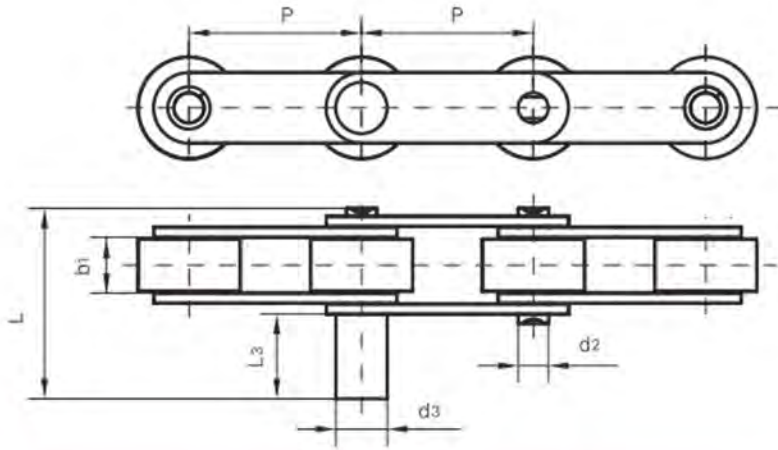
Vision Chain No.	P	b ₁	d ₂	d ₃	d ₄	L ₃	L
	mm	mm	mm	mm	mm	mm	mm
C2052F2	31.75	9.40	5.08	6.00	7.0	20.0	39.8
C2052F14	31.75	9.40	5.08	6.00	7.0	21.0	40.4
C2062-D38	38.10	12.57	5.94	5.94	11.1	24.2	48.6
C2062-D39	38.10	12.57	5.94	5.94	13.3	32.2	56.6
C212AHL-D4	38.10	12.57	5.94	5.94	8.0	25.0	53.0
C212AHF3	38.10	12.57	5.94	8.08	10.0	35.0	63.0
C212AHF7	38.10	12.57	5.94	5.94	12.7	41.2	69.2
C212AHF8	38.10	12.57	5.94	8.00	10.0	35.0	63.0
C2060HF9	38.10	12.57	5.94	7.95	12.7	41.3	69.3
C2060HF10	38.10	12.57	5.94	7.70	14.3	41.3	69.3
C2060H-D23	38.10	12.57	5.94	8.80	12.7	41.3	69.3
C2060H-D24	38.10	12.57	5.94	7.95	12.7	44.8	65.6
C2060H-D31	38.10	12.57	5.94	7.95	16.0	45.0	73.0
C2062H-D41	38.10	12.57	5.94	9.53	9.5	22.2	50.0



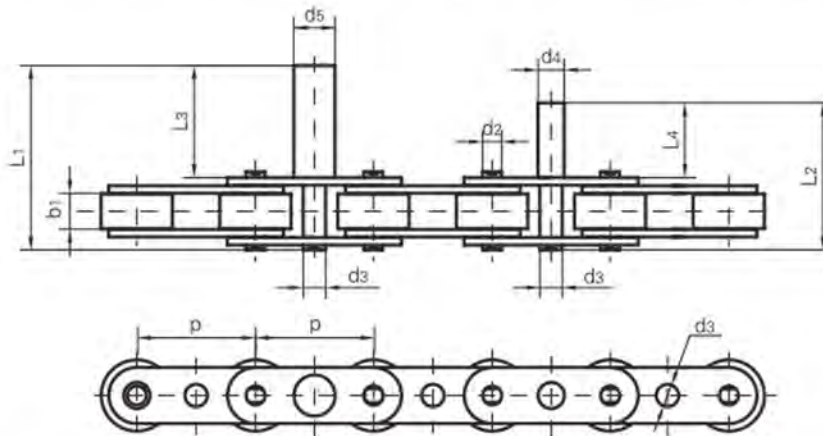
Vision Chain No.	P	G	F	W	d ₄
	mm	mm	mm	mm	mm
C2050A6	31.75	16.0	23.4	32.8	5.5

输送链 Conveyor chains

加长销双节距输送链 Double pitch conveyor chain with extended pi



Vision Chain No.	P	b ₁	d ₂	d ₃	L ₃	L
	mm	mm	mm	mm	mm	mm
C2052DF1	31.75	9.40	5.08	7.50	14.15	33.6
C210AF4	31.75	9.40	5.08	11.00	34.00	53.7
C2052-D4	31.75	9.40	5.08	6.00	32.40	52.0
C2050-D5	31.75	9.40	5.08	8.00	40.00	59.7
C212AHL-D4	38.10	12.57	5.94	8.00	25.00	53.0
C2062-D6	38.10	12.57	5.94	12.00	25.00	49.7

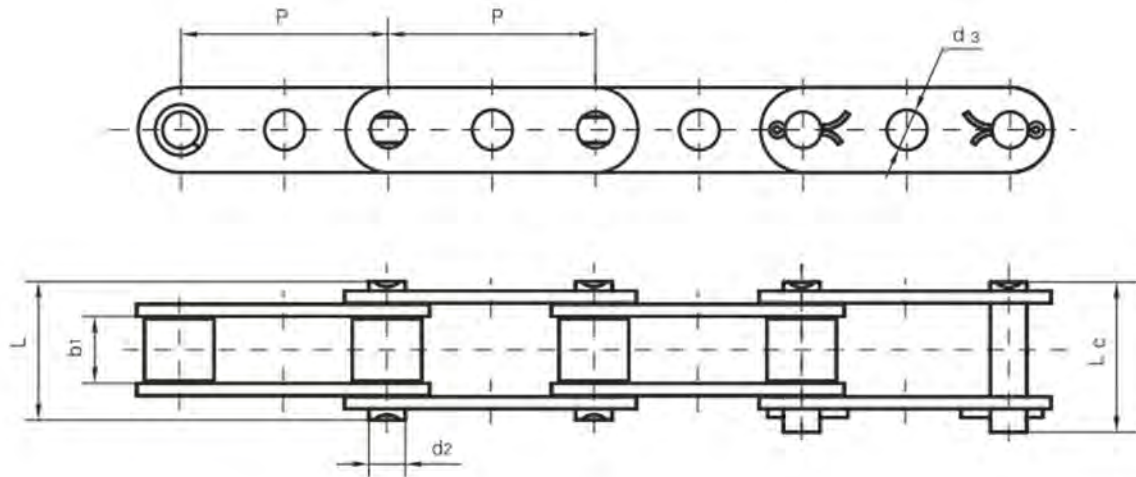


Vision Chain No.	P	b ₁	d ₂	d ₃	d ₄	d ₅	L ₃	L ₁	L ₄	L ₂
	mm	mm	mm	mm	mm	mm	mm	mm	mm	mm
C2052F1	31.75	9.4	5.08	6.0	7.0	11.0	30.0	49.8	20.0	39.8

输送链 Conveyor chains

双节距带特殊附板输送链

Double pitch conveyor chain with special attach

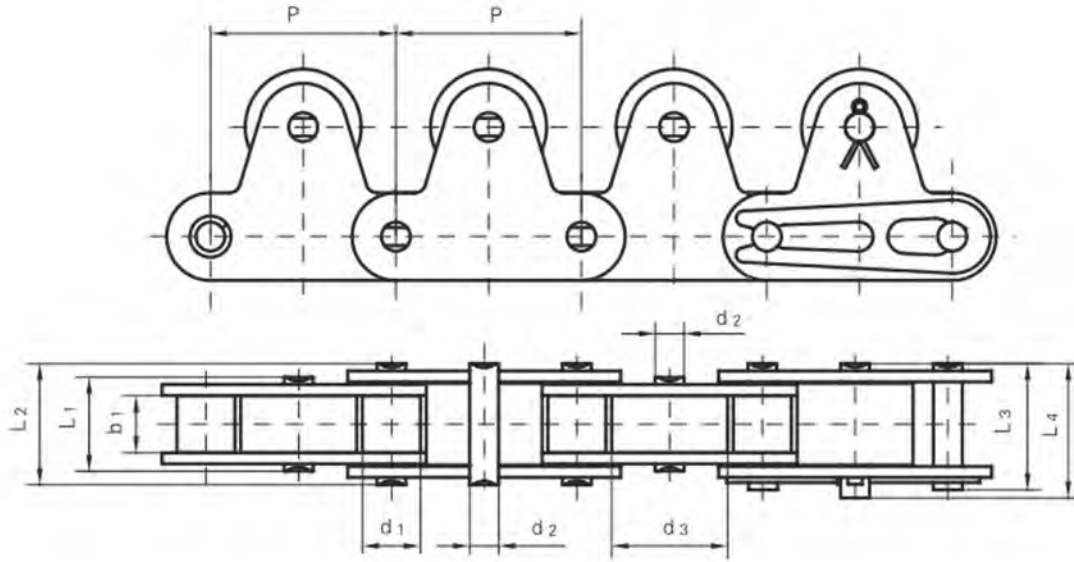


DIN/ISO 链号 DIN/ISO Chain No.	ANSI 链号 ANSI Chain No.	P	b ₁	d ₂	d ₃	L	L _c
		mm	mm	mm	mm	mm	mm
C208A C208AL	C2040 C2042	25.40	7.85	3.96	4.1	16.6	18.8
C210A C210AL	C2050 C2052	31.75	9.40	5.08	5.1	20.7	23.3
C212A C212AL	C2060 C2062	38.10	12.57	5.94	6.1	25.9	28.3
C212AH C212AHL	C2060H C2062H	38.10	12.57	5.94	6.1	29.2	31.6
C216A C216AL	C2080 C2082	50.80	15.75	7.92	8.1	32.7	36.5
C216AH C216AHL	C2080H C2082H	50.80	15.75	7.92	8.1	36.2	39.4
C220A C220AL	C2100 C2102	63.50	18.90	9.53	10.1	40.4	44.7
C220AH C220AHL	C2100H C2102H	63.50	18.90	9.53	10.1	43.6	46.9

输送链 Conveyor chains

双节距带特殊附板输送链

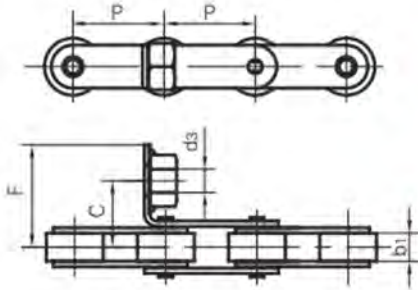
Double pitch conveyor chain with special attach



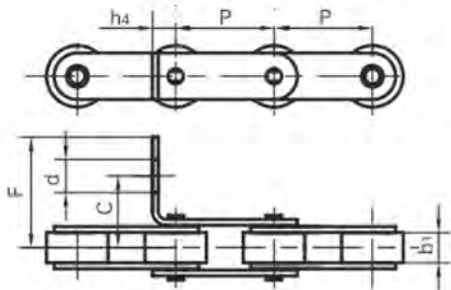
Vision Chain No.	节距	滚子直径		内节内宽	销轴直径	销轴长度				极限拉伸载荷	每米长重
	Pitch	Roller diameter		Width between inner plates	Pin diameter	Pin length				Ultimate tensile strength	Weight per meter
	P	d1 max	d3 max	b1 min	d2 max	L1 max	L2 max	L3 max	L4 max	Q min	q
	mm	mm	mm	mm	mm	mm	mm	mm	mm	kN/LB	kg/m
C2040-1LTR	25.40	7.95	15.88	7.85	3.96	13.5	16.6	17.8	18.8	14.1/3205	1.15
C2050-1LTR	31.75	10.16	19.05	9.40	5.08	16.5	20.7	22.2	23.3	22.2/5045	1.85
C2060-1LTR	38.10	11.91	22.23	12.57	5.94	21.0	25.9	27.7	28.3	31.8/7227	3.50
C2080-1LTR	50.80	15.88	28.58	15.75	7.92	26.2	32.7	35.0	36.5	56.7/12886	5.50
C2100-1LTR	63.50	19.05	39.67	18.90	9.53	32.3	40.4	44.7	44.7	88.5/20114	8.70

输送链 Conveyor chains

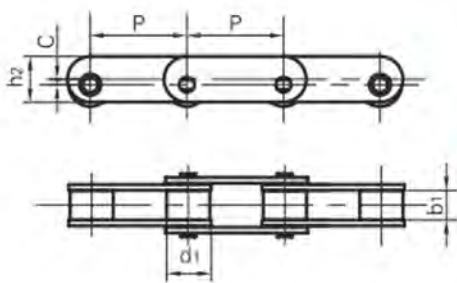
双节距带特殊附板输送链 Double pitch conveyor chain with special attach



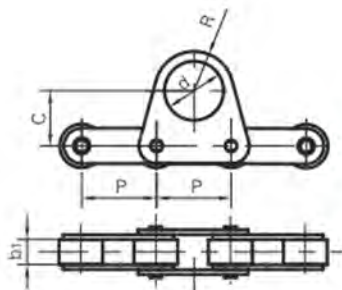
Vision Chain No.	P	b ₁	C	F	d ₃
	mm	mm	mm	mm	mm
C2042F4	25.4	7.85	18.5	28.5	M8



Vision Chain No.	P	b ₁	C	F	d ₄	h ₄
	mm	mm	mm	mm	mm	mm
C2042F8	25.4	7.85	17.75	28	8.5	10
C2062HF13	38.1	12.57	31.9	42.9	6	9.8
C224AF2	76.2	25.22	52.7	77.75	13	26.8



Vision Chain No.	P	b ₁	C	h ₂	d ₁
	mm	mm	mm	mm	mm
C2062F6	38.1	12.57	3.0	23.0	22.23
C2082F8	50.8	15.75	3.5	25.0	28.58

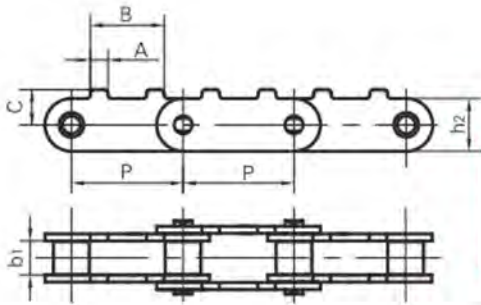


Vision Chain No.	P	b ₁	C	d	R
	mm	mm	mm	mm	mm
C2062F5	38.1	12.57	28.0	30	20

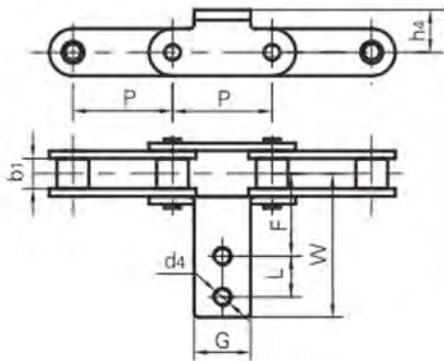
输送链 Conveyor chains

双节距带特殊附板输送链

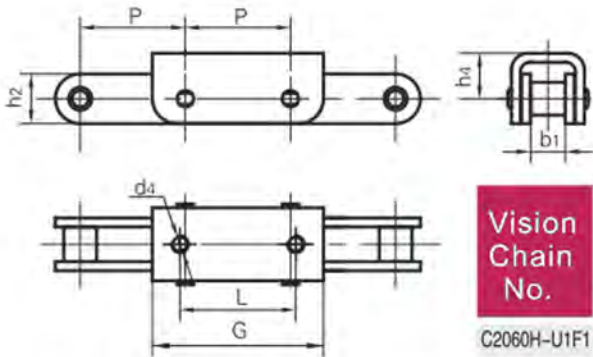
Double pitch conveyor chain with special attach



Vision Chain No.	P	b ₁	h ₂	A	B	C
	mm	mm	mm	mm	mm	mm
C2050F9	31.75	9.4	15.0	5.0	21.0	10.0

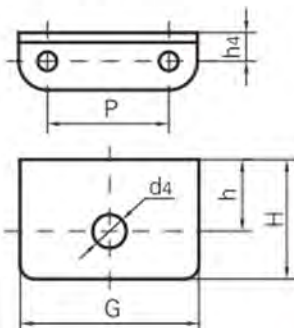


Vision Chain No.	P	b ₁	G	L	F	W	h ₄	d ₄
	mm	mm	mm	mm	mm	mm	mm	mm
C2050HF2	31.75	9.4	18.0	13.0	36.1	56.5	13.5	M5



Vision Chain No.	P	b ₁	L	G	d ₄	h ₂	h ₁
	mm	mm	mm	mm	mm	mm	mm
C2060H-U1F1	38.1	12.57	42.0	62.0	M6	18.0	16

C2042HF1

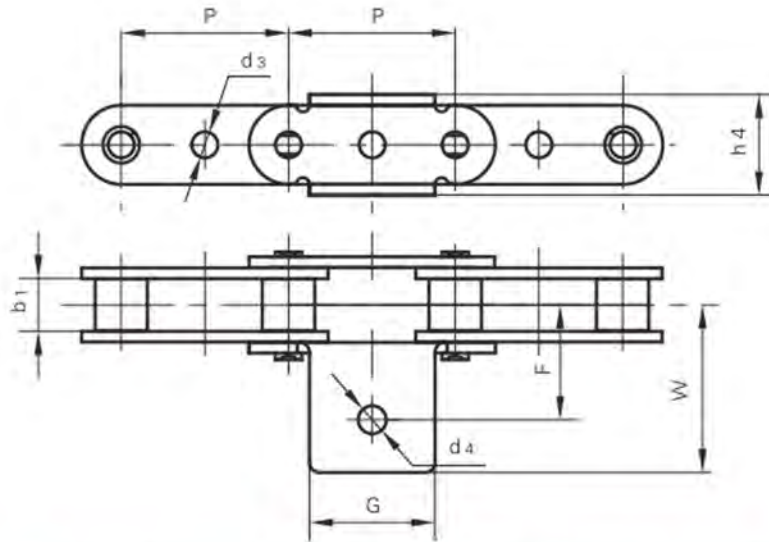


Vision Chain No.	P	h	H	h ₄	G	d ₄
	mm	mm	mm	mm	mm	mm
C2042HF1	25.40	15.0	25.0	6.0	37.4	7.0

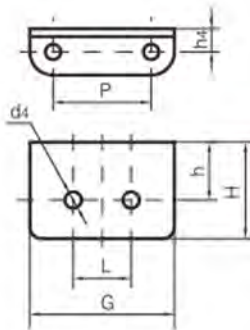
输送链 Conveyor chains

双节距带特殊附板输送链

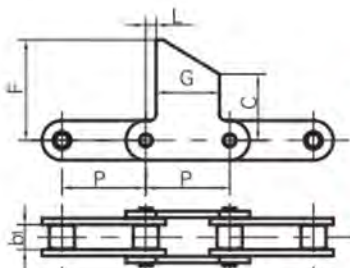
Double pitch conveyor chain with special attach



Vision Chain No.	P	b ₁	G	F	W	h ₄	d ₄	d ₃
	mm	mm	mm	mm	mm	mm	mm	mm
C2080K1F4	50.8	15.75	38.1	40.0	56.0	30.5	8.5	
C2080HGF1	50.8	15.75	36.0	38.0	46.0	28.4	6.0	8.1



Vision Chain No.	P	h	H	h ₄	G	L	d ₄
	mm	mm	mm	mm	mm	mm	mm
C2082HF1A2	50.8	17.7	29.7	18.0	74.8	30.0	8.5

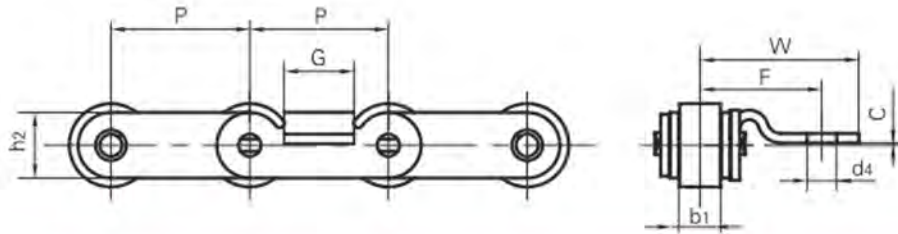


Vision Chain No.	P	b ₁	L	G	C	F
	mm	mm	mm	mm	mm	mm
C2100HF4	63.5	18.9	7.9	47.8	50.8	76.2

输送链 Conveyor chains

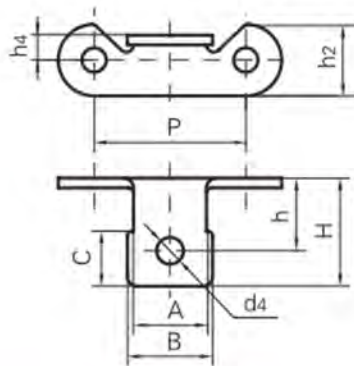
双节距带特殊附板输送链

Double pitch conveyor chain with special attach

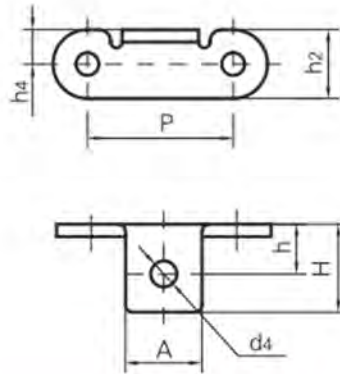


Vision Chain No.	P	b1	h2	G	F	W	d4	C
	mm	mm	mm	mm	mm	mm	mm	mm
C2052F11	31.75	9.4	15.0	16.0	26.6	34.6	6.2	0.5

C2052A1F1



C2062HA1F4

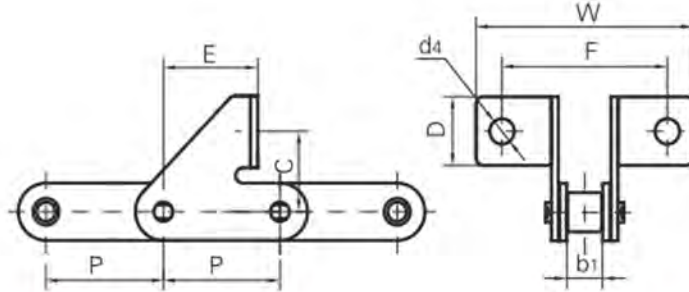


Vision Chain No.	P	A	B	C	h	H	h2	h4	d4
	mm	mm	mm	mm	mm	mm	mm	mm	mm
C2052A1F1	31.75	15.3	17.8	11.5	14.7	22.6	15.0	5.2	6.5
C2062HA1F4	38.10	20.0			13.0	23.0	18.0	9.0	6.8

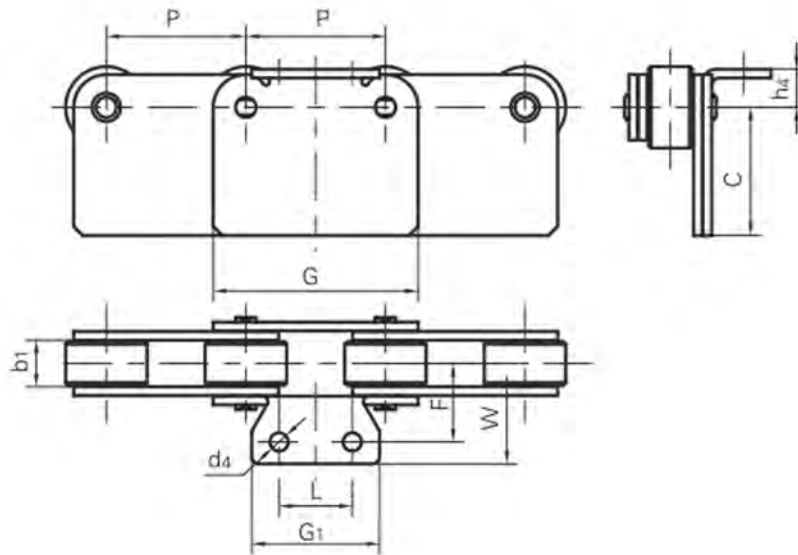
输送链 Conveyor chains

双节距带特殊附板输送链

Double pitch conveyor chain with special attach



Vision Chain No.	P	b ₁	F	W	C	D	E	d ₄
	mm	mm	mm	mm	mm	mm	mm	mm
C2050SD	31.75	9.4	45.0	59.0	21.2	18.0	25.7	6.6

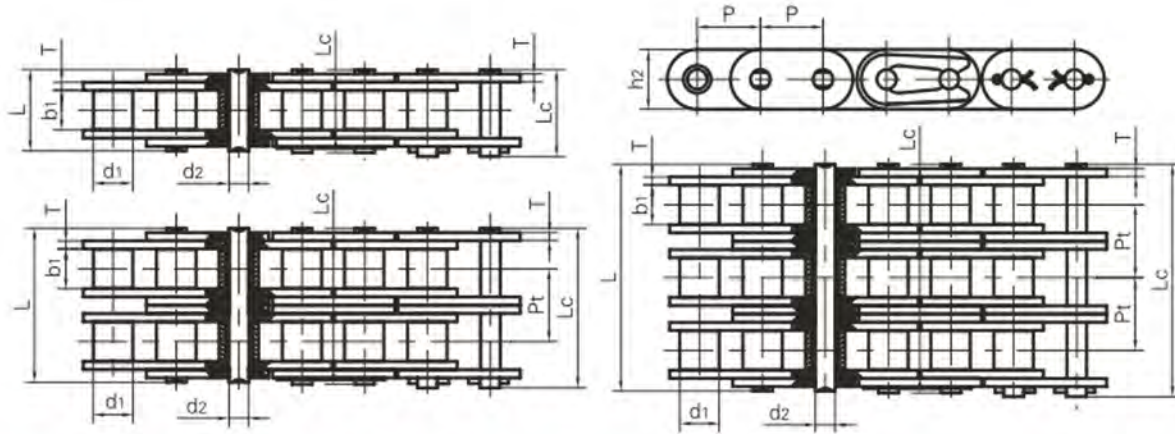


Vision Chain No.	P	b ₁	L	G ₁	G	h ₄	d ₄	C	F	W
	mm	mm	mm	mm	mm	mm	mm	mm	mm	mm
C224ALK2F2	76.2	25.22	40.0	70.0	111.9	20.8	10.0	70.0	43.0	55.0

输送链 Conveyor chains

A系列直板滚子链

Roller chains with straight side plates (A series)



DIN/ISO 链号 DIN/ISO Chain No.	ANSI 链号 ANSI Chain No.	节距 Pitch P	滚子直径 Roller diameter d1 max	内节内宽 Width between inner plates b1 min	销轴直径 Pin diameter d2 max	销轴长度 Pin length		内链板高度 Inner plate depth h2 max	链板厚度 Plate thick- ness T max	排距 Transverse pitch Pt	极限拉伸载荷 Ultimate tensile strength Q min kN/LB	平均拉伸载荷 Average tensile strength Q0 kN	每米长重 Weight per meter q kg/m
						L max mm	Lc max mm						
	*C35	9.525	5.08	4.77	3.58	13.3	14.3	9.00	1.30		7.9/1795	10.8	0.41
C08A-1	C40	12.700	7.95	7.85	3.96	16.6	18.8	12.00	1.50		14.1/3273	17.5	0.73
C10A-1	C50	15.875	10.16	9.40	5.08	20.7	23.3	15.09	2.03		22.2/5045	29.4	1.23
C12A-1	C60	19.050	11.91	12.57	5.94	25.9	28.3	18.0/18.2	2.42		31.8/7227	41.5	1.81/1.83
C16A-1	C80	25.400	15.88	15.75	7.92	32.7	36.5	24.00	3.25		56.7/12886	69.4	3.09
C20A-1	C100	31.750	19.05	18.90	9.53	40.4	44.7	30.00	4.00		88.5/20114	109.2	4.56
C24A-1	C120	38.100	22.23	25.22	11.10	50.3	54.3	35.70	4.80		127.0/28864	156.3	6.86
C28A-1	C140	44.450	25.40	25.22	12.70	54.4	59.0	41.00	5.60		172.4/39182	212.0	8.49
C32A-1	C160	50.800	28.58	31.55	14.27	64.8	69.6	47.80	6.40		226.8/51545	278.9	11.50
C08A-2	C40-2	12.700	7.95	7.85	3.96	31.0	33.2	12.00	1.50	14.38	28.2/6409	35.9	1.43
C10A-2	C50-2	15.875	10.16	9.40	5.08	38.9	41.4	15.09	2.03	18.11	44.4/10091	58.1	2.42
C12A-2	C60-2	19.050	11.91	12.57	5.94	48.8	51.1	18.0/18.2	2.42	22.78	63.6/14455	82.1	3.58/3.62
C16A-2	C80-2	25.400	15.88	15.75	7.92	62.7	65.8	24.00	3.25	29.29	113.4/25773	141.8	6.12
C20A-2	C100-2	31.750	19.05	18.90	9.53	76.4	80.5	30.00	4.00	35.76	177.0/40227	219.4	9.08
C24A-2	C120-2	38.100	22.23	25.22	11.10	95.8	99.7	35.70	4.80	45.44	254.0/57727	314.9	13.60
C28A-2	C140-2	44.450	25.40	25.22	12.70	103.3	107.9	41.00	5.60	48.87	344.8/78364	427.5	16.86
C32A-2	C160-2	50.800	28.58	31.55	14.27	123.3	128.1	47.80	6.40	58.55	453.6/103091	562.4	22.90
C08A-3	C40-3	12.700	7.95	7.85	3.96	45.4	47.6	12.00	1.50	14.38	42.3/9614	50.0	2.14
C10A-3	C50-3	15.875	10.16	9.40	5.08	57.0	59.5	15.09	2.03	18.11	66.6/15136	77.8	3.62
C12A-3	C60-3	19.050	11.91	12.57	5.94	71.5	73.9	18.0/18.2	2.42	22.78	95.4/21682	111.1	5.36/5.41
C16A-3	C80-3	25.400	15.88	15.75	7.92	91.7	95.1	24.00	3.25	29.29	170.1/38659	198.4	9.10
C20A-3	C100-3	31.750	19.05	18.90	9.53	112.2	116.3	30.00	4.00	35.76	265.5/60341	309.6	13.60
C24A-3	C120-3	38.100	22.23	25.22	11.10	141.4	145.2	35.70	4.80	45.44	381.0/86591	437.2	20.43
C28A-3	C140-3	44.450	25.40	25.22	12.70	152.2	156.8	41.00	5.60	48.87	517.2/117545	593.3	25.23
C32A-3	C160-3	50.800	28.58	31.55	14.27	181.8	186.6	47.80	6.40	58.55	680.4/154636	780.6	34.19

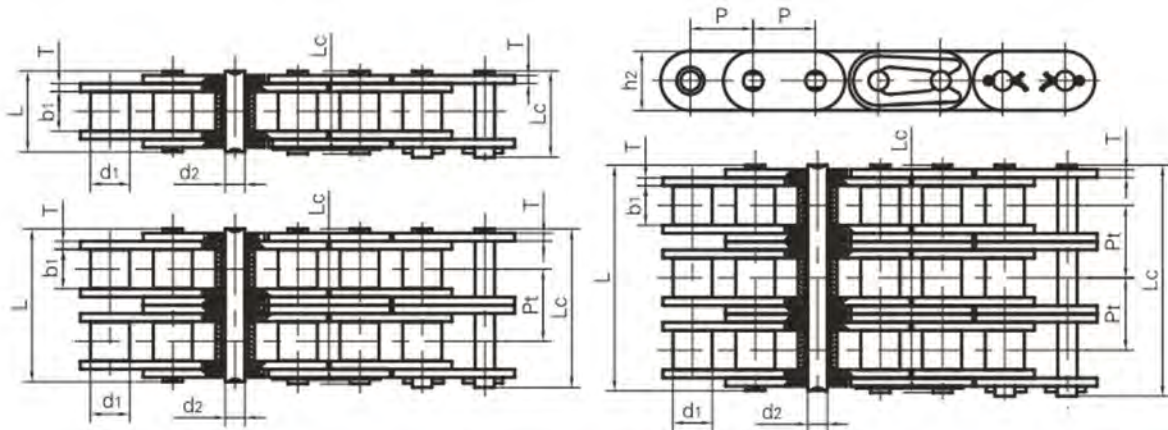
*套筒链:表中滚子直径d1为套筒直径

*Bushing chain: d1 in the table indicate the external diameter of the bushing.

输送链 Conveyor chains

B系列直板滚子链

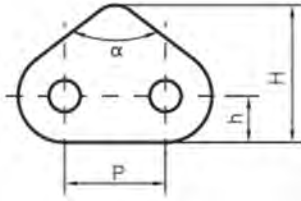
Roller chains with straight side plates (B series)



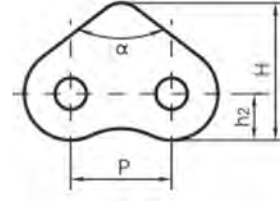
DIN/ISO 链号 DIN/ISO Chain No.	节距	滚子直径	内节内宽	销轴直径	销轴长度		内链板高度	链板厚度	排距	极限拉伸载荷	平均拉伸载荷	每米长重
	Pitch	Roller diameter	Width between inner plates	Pin diameter	L	Lc	Inner plate depth	Plate thickness	Transverse pitch	Ultimate tensile strength	Average tensile strength	Weight per meter
	mm	d1 max	b1 min	d2 max	mm	mm	h2 max	t/T max	Pt	Q min	Q0	q
	mm	mm	mm	mm	mm	mm	mm	mm	mm	kN/LB	kN	kg/m
C08B-1	12.700	8.51	7.75	4.45	16.7	18.2	11.8	1.60		18.0/4091	19.5	0.80
C10B-1	15.875	10.16	9.65	5.08	19.5	20.9	14.7	1.70		22.4/5091	27.9	1.06
C12B-1	19.050	12.07	11.68	5.72	22.5	25.2	16.0	1.85		29.0/6591	32.2	1.32
C16B-1	25.400	15.88	17.02	8.28	36.1	39.1	21.0/24.0	4.15/3.1		60.0/13636	72.8	3.08/3.49
C20B-1	31.750	19.05	19.56	10.19	41.3	45.0	26.4	4.5/3.5		95.0/21591	106.7	4.16
C24B-1	38.100	25.40	25.40	14.63	53.4	57.8	33.2	6.0/4.8		160.0/36364	178.0	7.47
C28B-1	44.450	27.94	30.99	15.90	65.1	69.5	36.7	7.5/6.0		200.0/45455	222.0	9.90
C32B-1	50.800	29.21	30.99	17.81	66.0	71.0	42.0	7.0/6.0		250.0/56818	277.5	10.45
C08B-2	12.700	8.51	7.75	4.45	31.2	32.2	11.8	1.60	13.92	32.0/7273	38.7	1.45
C10B-2	15.875	10.16	9.65	5.08	36.1	37.5	14.7	1.70	16.59	44.5/10114	57.8	2.00
C12B-2	19.050	12.07	11.68	5.72	42.0	44.7	16.0	1.85	19.46	57.8/13136	66.1	2.62
C16B-2	25.400	15.88	17.02	8.28	68.0	71.0	21.0/24.0	4.15/3.1	31.88	106.0/24091	133.0	6.10/6.92
C20B-2	31.750	19.05	19.56	10.19	77.8	81.5	26.4	4.5/3.5	36.45	170.0/38636	211.2	8.23
C24B-2	38.100	25.40	25.40	14.63	101.7	106.2	33.2	6.0/4.8	48.36	280.0/63636	319.2	14.77
C28B-2	44.450	27.94	30.99	15.90	124.6	129.1	36.7	7.5/6.0	59.56	360.0/81818	406.8	19.82
C32B-2	50.800	29.21	30.99	17.81	124.6	129.6	42.0	7.0/6.0	58.55	450.0/102273	508.5	20.94
C08B-3	12.700	8.51	7.75	4.45	45.1	46.1	11.8	1.60	13.92	47.5/10795	57.8	2.10
C10B-3	15.875	10.16	9.65	5.08	52.7	54.1	14.7	1.70	16.59	66.7/15159	84.5	2.87
C12B-3	19.050	12.07	11.68	5.72	61.5	64.2	16.0	1.85	19.46	86.7/19705	101.8	3.89
C16B-3	25.400	15.88	17.02	8.28	99.8	102.9	21.0/24.0	4.15/3.1	31.88	160.0/36364	203.7	9.12/10.34
C20B-3	31.750	19.05	19.56	10.19	114.2	117.9	26.4	4.5/3.5	36.45	250.0/56818	290.0	11.34
C24B-3	38.100	25.40	25.40	14.63	150.1	154.6	33.2	6.0/4.8	48.36	425.0/96591	493.0	22.10
C28B-3	44.450	27.94	30.99	15.90	184.2	188.7	36.7	7.5/6.0	59.56	530.0/120454	609.5	29.64
C32B-3	50.800	29.21	30.99	17.81	183.2	188.2	42.0	7.0/6.0	58.55	670.0/152273	770.5	31.27

输送链 Conveyor chains

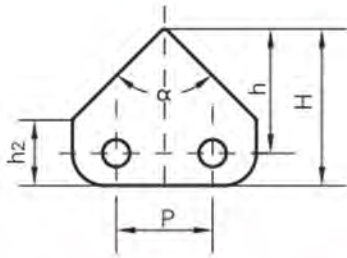
A系列带特殊附板输送链 Conveyor chain with special attachments(A series)



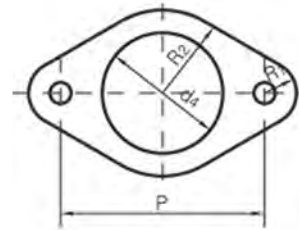
Vision Chain No.	P mm	h mm	H mm	α
20AF2	31.75	12.5	51.0	74°



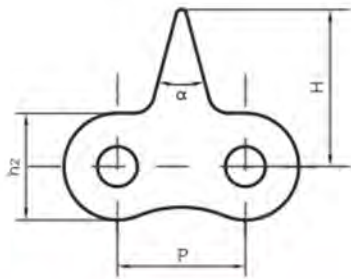
Vision Chain No.	P mm	h2 mm	H mm	α
16AF5	25.4	11.7	34.6	105°



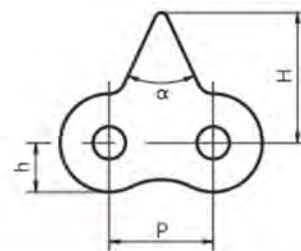
Vision Chain No.	P mm	H mm	h mm	h2 mm	α
41F6	12.7	20.6	16.35	8.7	90°



Vision Chain No.	P mm	d4 mm	R1 mm	R2 mm
16AF13	76.2	45.0	11.9	31.0



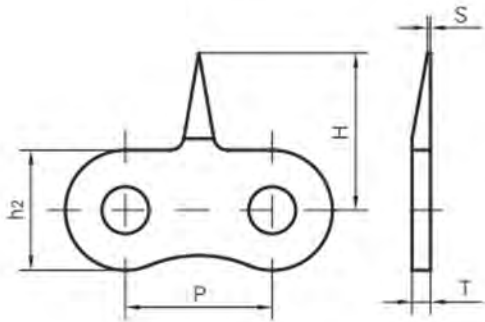
Vision Chain No.	P mm	h2 mm	H mm	α
08AF10	12.700	10.6	15.60	30°
10AF7	15.875	13.0	15.88	21°



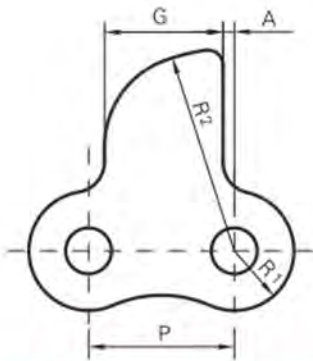
Vision Chain No.	P mm	H mm	h mm	α
16AF44	25.4	31.8	9	50°

输送链 Conveyor chains

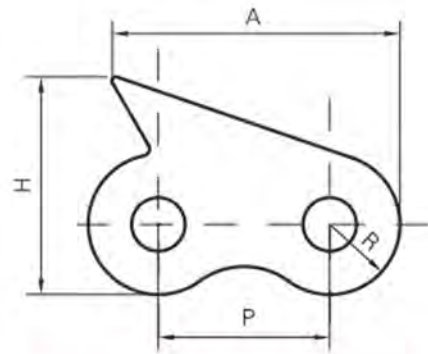
A系列带特殊附板输送链 Conveyor chain with special attachments(A series)



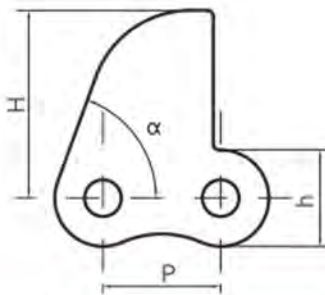
Vision Chain No.	P	h ₂	H	S	T
	mm	mm	mm	mm	mm
10AF2	15.875	13.00	17.0	0.3	2.03
10AF15	15.875	15.09	17.0		2.03
10AF23	15.875	13.00	20.8	0.3	2.03



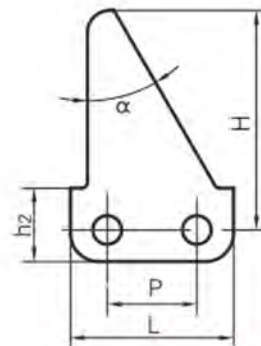
Vision Chain No.	P	G	A	R ₁	R ₂
	mm	mm	mm	mm	mm
12AF7	19.05	15.5	1.47	7.8	26.5



Vision Chain No.	P	R	H	A
	mm	mm	mm	mm
08AF8	12.7	5.2	16.13	21.34



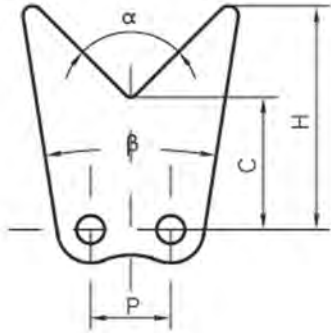
Vision Chain No.	P	H	h	α
	mm	mm	mm	°
12AHF27	19.05	30.2	15.6	70°



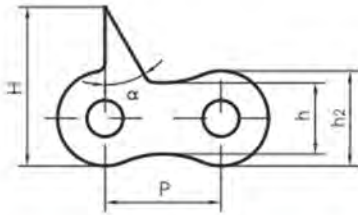
Vision Chain No.	P	H	h ₂	L	α
	mm	mm	mm	mm	°
10ASA0F1	15.875	38.5	13	29.5	30°

输送链 Conveyor chains

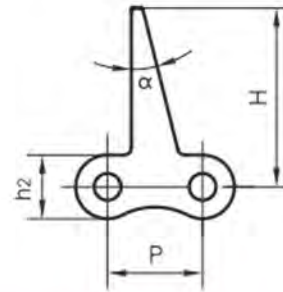
A系列带特殊附板输送链 Conveyor chain with special attachments(A series)



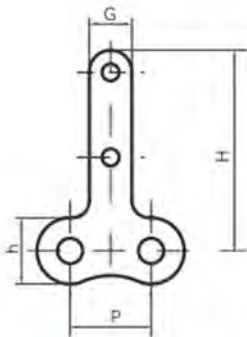
Vision Chain No.	P mm	C mm	H mm	α	β
428HJF1	12.7	21.5	36.15	90°	18°
428HJF2	12.7	14.5	33.6	90°	34°



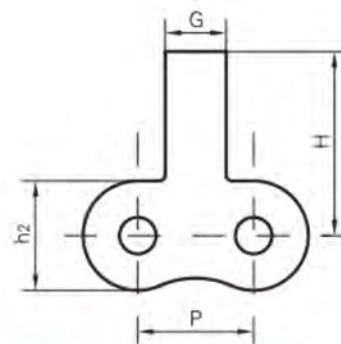
Vision Chain No.	P mm	A mm	C mm	h_1 mm	h mm	H mm
06CF6	9.525	3.25	17.5	5.25	16.0	20.0



Vision Chain No.	P mm	H mm	h_2 mm	α
41F5	12.7	23.9	8.51	14°



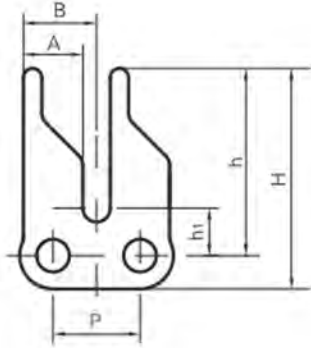
Vision Chain No.	P mm	H mm	h mm	G mm
12AHF30	19.05	47.2	15.6	10



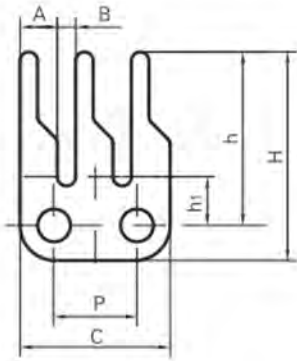
Vision Chain No.	P mm	G mm	H mm	h_2 mm
12ASA	19.05	10.0	204.0	18.0

输送链 Conveyor chains

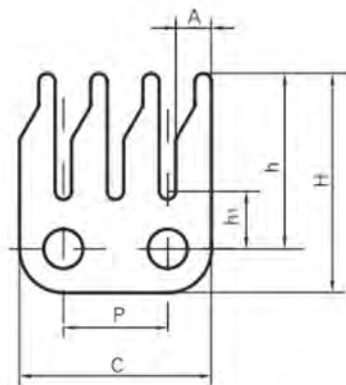
A系列带特殊附板输送链 Conveyor chain with special attachments(A series)



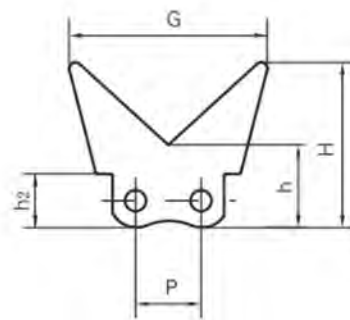
Vision Chain No.	P	A	B	h ₁	h	H
	mm	mm	mm	mm	mm	mm
06CF2	9.525	6.5	8.0	5.2	20.5	24.15
06CF7	9.525	6.5	8.0	4.1	20.0	24.45



Vision Chain No.	P	A	B	C	h ₁	h	H
	mm	mm	mm	mm	mm	mm	mm
06CF5	9.525	4.3	2.0	16.9	5.3	16.0	20.0
06CF8	9.525	4.3	2.0	16.9	5.3	20.0	24.0



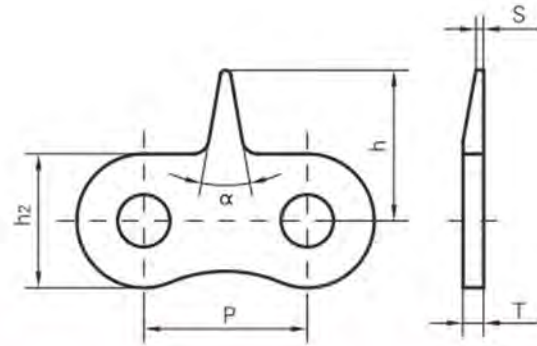
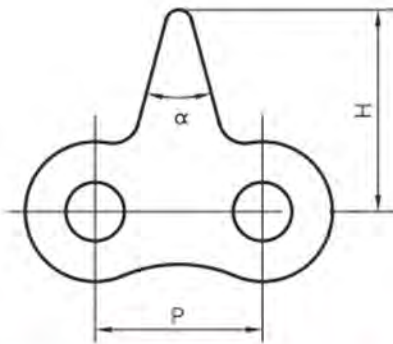
Vision Chain No.	P	h	h ₂	H	α
	mm	mm	mm	mm	
08A-D2-F1	12.7	7.8	10.4	17.4	30°



Vision Chain No.	P	H	h	h ₂	G
	mm	mm	mm	mm	mm
50F21	15.875	40	20	13	48

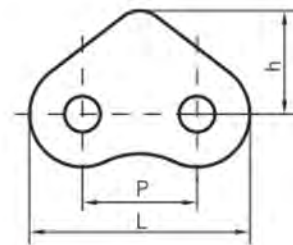
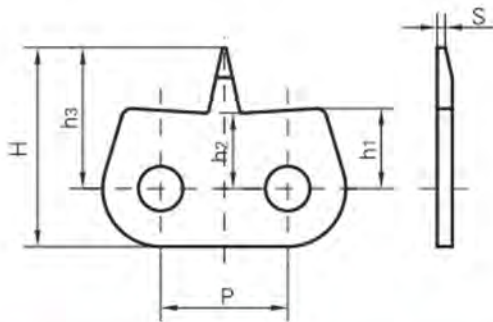
输送链 Conveyor chains

B系列带特殊附板输送链 Conveyor chain with special attachments(B se



Vision Chain No.	P	H	α
	mm	mm	
08BF5	12.7	15.3	30°
08BF51	12.7	14.0	50°
08BF38	12.7	14.6	40°
08BF56	12.7	14.4	30°

Vision Chain No.	P	h ₂	h	T	S	α
	mm	mm	mm	mm	mm	
08BF25	12.7	10.6	15.6	1.6		30°
08BF29	12.7	10.6	14.5	1.6	0.8	30°
08BF30	12.7	10.6	14.5	1.6	0.3	30°
08BF35	12.7	10.6	21.5	1.6	0.6	30°
08BF67	12.7	10.6	16.1	1.6	0.3	30°

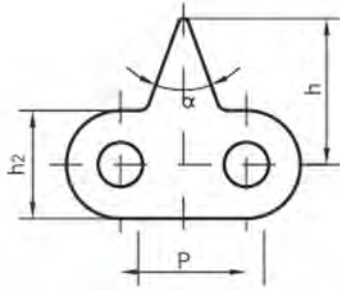


Vision Chain No.	P	h ₁	h ₂	h ₃	H	s
	mm	mm	mm	mm	mm	mm
08BF11	12.7	8.0	7.8	14.1	19.9	0.8

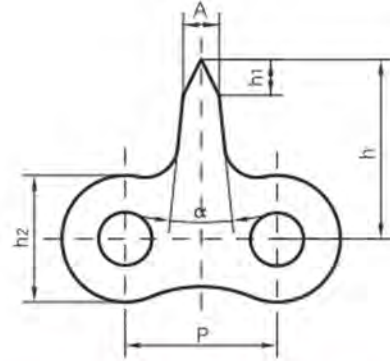
Vision Chain No.	P	L	h
	mm	mm	mm
16BF6	25.4	46.0	30.0

输送链 Conveyor chains

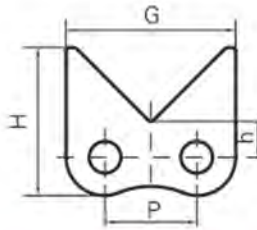
B系列带特殊附板输送链 Conveyor chain with special attachments(B series)



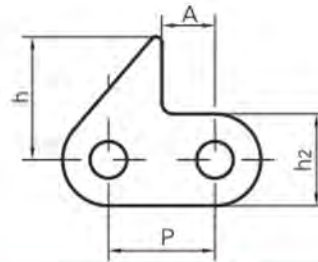
Vision Chain No.	P	h ₂	h	α
	mm	mm	mm	
08BSSF11	12.7	10.8	14.6	40°



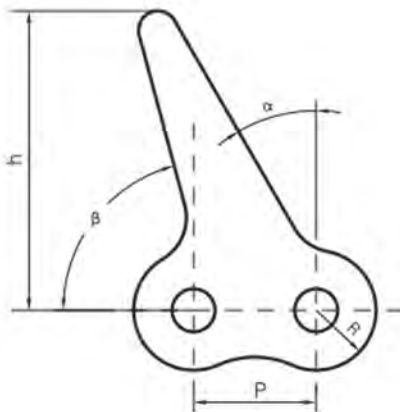
Vision Chain No.	P	h ₁	h ₂	h	A	α
	mm	mm	mm	mm	mm	
08BF21	12.7	3.0	10.6	15.0	3.0	12°



Vision Chain No.	P	H	h	G
	mm	mm	mm	mm
08BF73	12.7	20.5	5	23.5



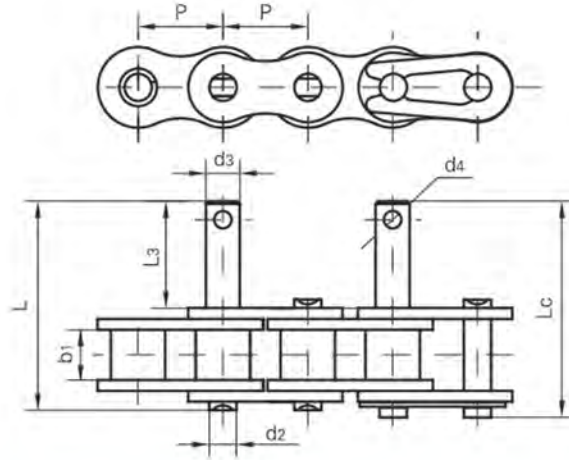
Vision Chain No.	P	h ₂	h	A
	mm	mm	mm	mm
06BF1	9.525	8.2	11.0	4.76



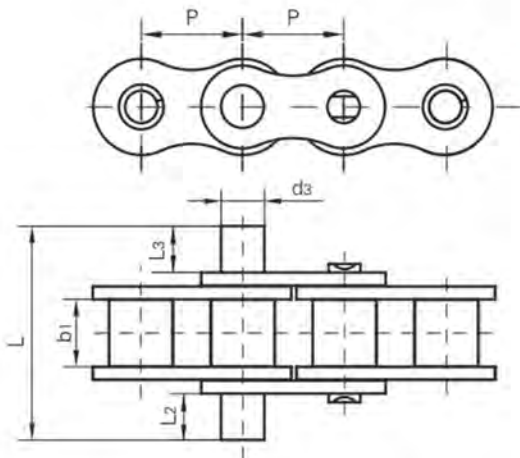
Vision Chain No.	P	R	h	α	β
	mm	mm	mm		
08BF24	12.7	6.2	31.0	30°	75°

输送链 Conveyor chains

特殊加长销输送链 Conveyor chain with special extended pins



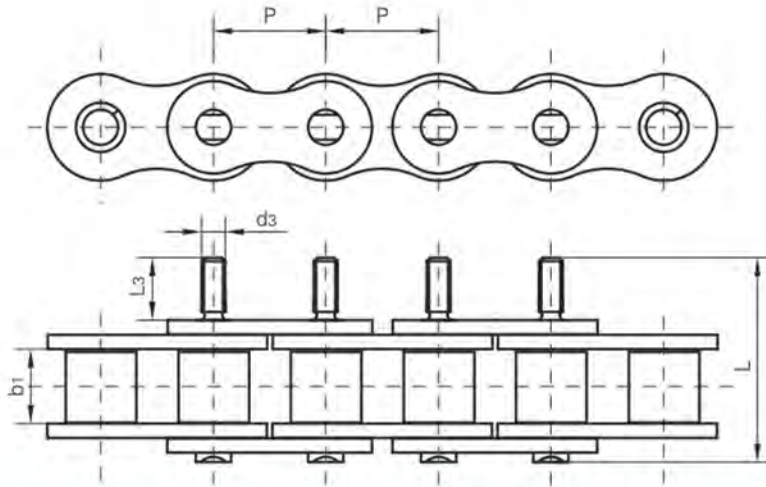
Vision Chain No.	P	b1	d2	d3	L3	L	Lc	d4
	mm	mm	mm	mm	mm	mm	mm	mm
10A-D9	15.875	9.40	5.08	6.35	20.0	39.5	41.1	
16AF1	25.400	15.88	7.92	9.0	20.0	51.2	54.7	
08B-D4	12.700	7.75	4.45	6.0	15.0	31.2	32.4	
08B-D7	12.700	7.75	4.45	6.0	14.0	30.2	31.4	2.6
08BF3	12.700	7.75	4.45	6.0	8.0	24.2	25.4	
10BF2	15.875	9.65	5.08	6.0	25.0	43.4	44.8	
10BF3	15.875	9.65	5.08	8.0	25.0	43.4	44.8	
10B-D7	15.875	9.65	5.08	6.5	40.0	58.5	60.1	
12B-D5	19.050	11.68	5.72	8.0	40.0	61.4	63.1	
12B-D6	19.050	11.68	5.72	6.0	20.0	41.1	42.9	
12B-D7	19.050	11.68	5.72	8.0	25.0	46.4	48.2	



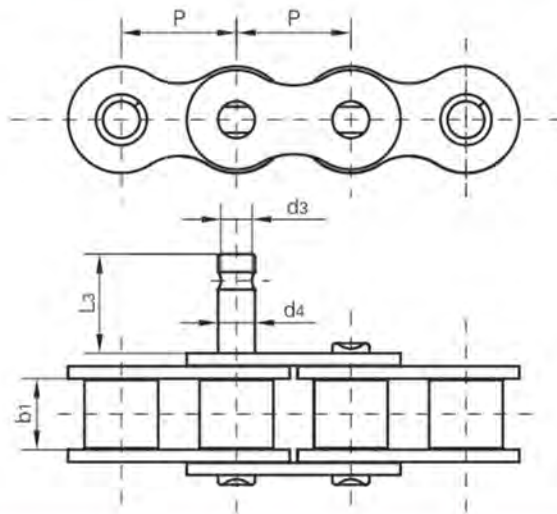
Vision Chain No.	P	b1	d3	L2	L3	L
	mm	mm	mm	mm	mm	mm
12A-D7	19.050	12.57	8.10	8.6	8.6	40.0
06B-D4	9.525	5.72	3.28	3.0	5.0	19.4
08B-D8	12.700	7.75	4.45	10.0	38.0	62.5
08BF7	12.700	7.75	4.45	3.0	5.0	22.8
16BF4	25.400	17.02	8.28	18.0	18.0	68.0

输送链 Conveyor chains

特殊加长销输送链 Conveyor chain with special extended pins



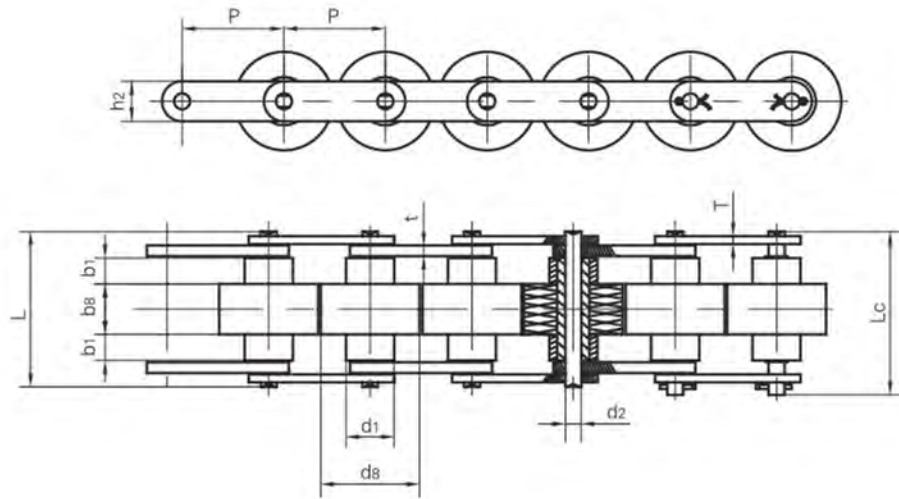
Vision Chain No.	P	b ₁	d ₃	L ₃	L
	mm	mm	mm	mm	mm
12AF19	19.05	12.57	M4	10.0	34.5
12BF13	19.05	11.68	M4	10.0	31.0



Vision Chain No.	P	b ₁	d ₃	d ₄	L ₃
	mm	mm	mm	mm	mm
10B-D9	15.875	9.65	4.5	5.08	13.0
10B-D12	15.875	9.65	4.5	5.08	12.0
12B-D8	19.05	11.68	5.15	5.72	13.0

输送链 Conveyor chains

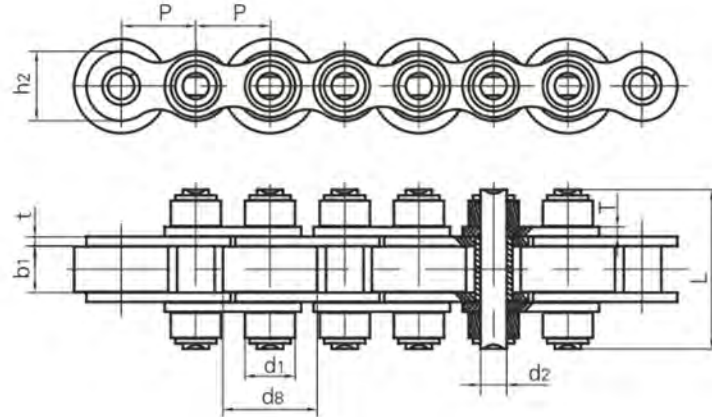
倍速链 Double plus chains



JB 链号 JB Chain No.	Vision Chain No.	节距 Pitch P	滚子尺寸 Roller dimension				销轴直径 Pin diameter d2	销轴长度 Pin length		链板尺寸 Plate dimension			每米长重 Weight per meter q
			d1 max	d8 max	b1 min	b8 max		L max	Lc max	h2 max	T max	l max	
			mm	mm	mm	mm		mm	mm	mm	mm	mm	
BS25-C206B	C2030W	19.05	11.91	18.3	4.00	8.0	3.28	24.0	25.6	8.20	1.30	1.50	0.52
BS25-C208A	C2040W	25.40	15.88	24.6	5.70	10.3	3.96	31.0	32.8	11.70	1.50	1.50	0.79
BS25-C210A	C2050W	31.75	19.05	30.6	7.10	13.0	5.08	39.5	41.2	15.00	2.03	2.03	1.36
BS25-C212A	C2060HW	38.10	22.23	36.6	8.50	15.5	5.94	48.8	51.5	18.00	3.25	3.25	2.19
BS25-C216A	C2080W	50.80	28.58	49.0	11.00	21.5	7.92	66.2	70.0	24.00	4.00	5.00	4.06
BS30-C206B		19.05	9.00	18.3	4.50	9.1	3.28	26.3	29.6	7.28	1.30	1.50	0.50
BS30-C208A		25.40	11.91	24.6	6.10	12.5	3.96	35.6	39.5	9.60	1.50	2.00	0.83
BS30-C210A		31.75	14.80	30.6	7.50	15.0	5.08	43.0	47.1	12.20	2.00	2.40	1.27
BS30-C212A		38.10	18.00	37.0	9.75	20.0	5.94	58.1	62.7	15.00	3.00	4.00	2.14
BS30-C216A		50.80	22.23	49.0	12.00	25.2	7.92	71.9	77.3	18.60	4.00	5.00	3.55

输送链 Conveyor chains

倍速链 Double plus chains

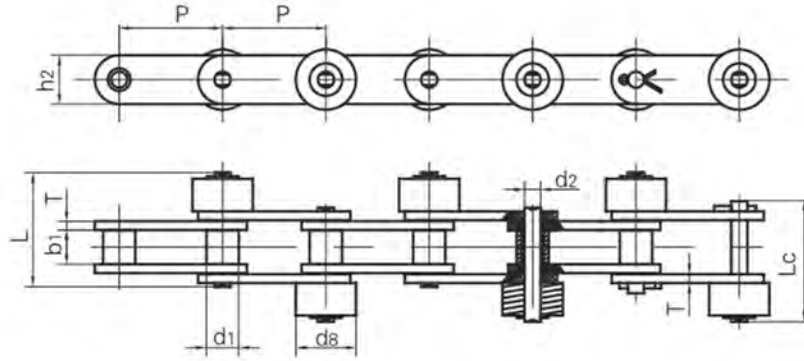


Vision Chain No.	节距	滚子直径		内节内宽	销轴直径	销轴长度	链板尺寸		极限拉伸载荷	平均拉伸载荷
	Pitch	Roller diameter		Width between inner plates	Pin diameter	Pin length	Plate dimension		Ultimate tensile strength	Average tensile strength
	P	d1 max	d8 max	b1 min	d2 max	L max	h2 max	t/T max	Q min	Q0
	mm	mm	mm	mm	mm	mm	mm	mm	kN/LB	kN
08BS-27-P16/C16	12.70	8.51	16.0	7.75	4.45	27.0	11.8	1.60/1.50	18.0/4091	19.8
12BS-43-P26/C26	19.05	12.07	26.0	11.68	5.72	43.0	16.0	1.85	29.0/6591	31.7
12BS-43-P28/C28	19.05	12.07	28.0	11.68	5.72	43.0	16.0	1.85	29.0/6591	31.7
12BS-48-P24/C24	19.05	12.07	24.0	11.68	5.72	48.0	16.0	1.85	29.0/6591	31.7
12BS-48-P26/C26	19.05	12.07	26.0	11.68	5.72	48.0	16.0	1.85	29.0/6591	31.7
12BS-48-P28/C28	19.05	12.07	28.0	11.68	5.72	48.0	16.0	1.85	29.0/6591	31.7
16BS-65-P38/C38	25.40	38.00	15.88	17.02	8.28	65.0	21.0	4.15/3.10	60.0/13636	72.8

注:P表示滚子材料为塑料,C表示滚子材料为钢。
Note:P means roller made in plastic, C means roller made in steel.

输送链 Conveyor chains

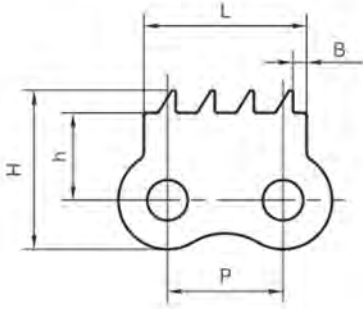
倍速链 Double plus chains



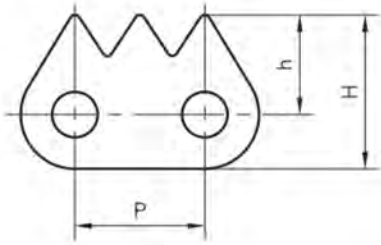
Vision Chain No.	节距 Pitch	滚子直径 Roller diameter		内节内宽 Width between inner plates	销轴直径 Pin diameter	销轴长度 Pin length		链板尺寸 Plate dimension		极限拉伸载荷 Ultimate tensile strength	平均拉伸载荷 Average tensile strength	每米长重 Weight per meter
	P	d1 max	d8 max	b1 min	d2 max	L max	Lc max	h2 max	T max	Q min	Q0	q
	mm	mm	mm	mm	mm	mm	mm	mm	mm	kN/LB	kN	kg/m
C2040S2-PSR	25.40	7.95	15.88	7.85	3.96	25.80	27.0	12.0	1.50	13.8/3137	15.18	0.99
C2050S	31.75	10.16	19.05	9.40	5.08	31.80	34.0	15.0	2.03	21.8/4955	23.90	1.52
C2052SF1	31.75	19.05	27.00	9.40	5.08	35.00	37.3	15.0	2.03	21.8/4955	23.90	3.06
C2060HS	38.10	11.91	22.23	12.57	5.94	44.00	46.6	18.0	3.25	31.1/7069	42.70	1.78

输送链 Conveyor chains

尖齿链 Sharp top chains

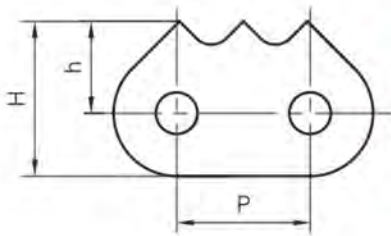


Vision Chain No.	P	h	H	B	L
	mm	mm	mm	mm	mm
08B-940	12.7	9.6	17.5	1.5	17.9



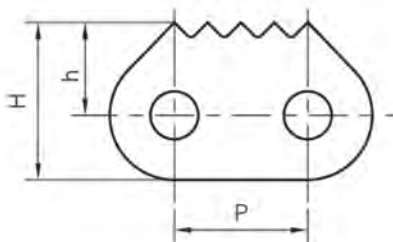
Vision Chain No.	P	h	H
	mm	mm	mm
08BF71	12.7	9.75	15.05

C16AF1 C16A-2ST



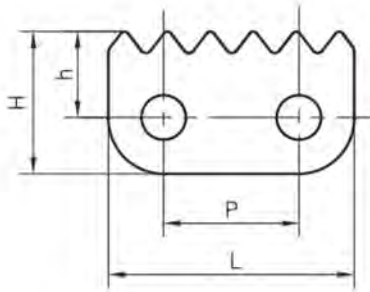
Vision Chain No.	P	h	H
	mm	mm	mm
C16AF1	25.4	17.5	29.5
C16AF2	25.4	17.5	29.5
C16A-2ST	25.4	17.4	29.0
C16A-5PEP	25.4	17.4	29.0
16A-1171	25.4	16.0	26.4

C16AF2 16A-5PEP 16A-1171

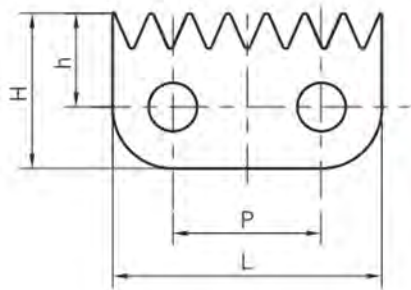


输送链 Conveyor chains

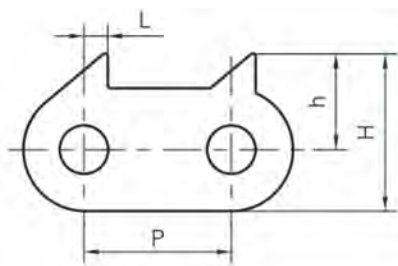
尖齿链 Sharp top chains



Vision Chain No.	P mm	L mm	h mm	H mm
16B-1185	25.4	46.0	16.0	26.5



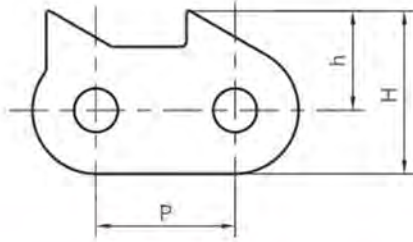
Vision Chain No.	P mm	h mm	H mm	L mm
16B-1187	25.4	16.0	26.5	46



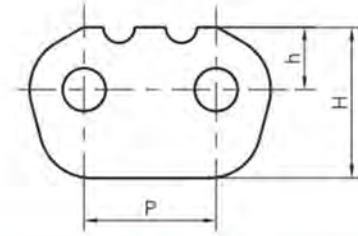
Vision Chain No.	P mm	h mm	H mm	L mm
C16B-1160	25.4	10.5	27.5	4.8
C16B-1161	25.4	10.5	27.5	6.0

输送链 Conveyor chains

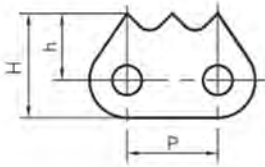
尖齿链 Sharp top chains



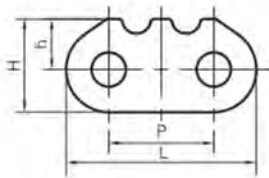
Vision Chain No.	P	h	H
	mm	mm	mm
C16A-1160	25.4	18	29.5



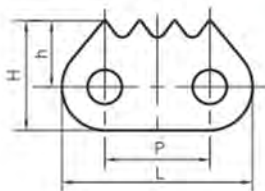
Vision Chain No.	P	h	H
	mm	mm	mm
16BF45	25.4	12.0	29.0



Vision Chain No.	P	h	H
	mm	mm	mm
C16BF3	25.4	18.7	29.2



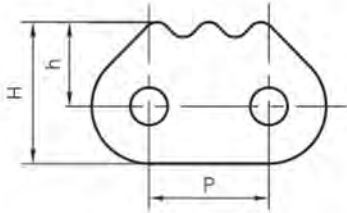
Vision Chain No.	P	L	h	H
	mm	mm	mm	mm
16B-1180	25.4	46.0	12.2	22.5



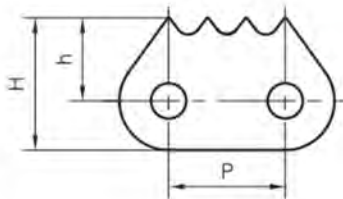
Vision Chain No.	P	L	h	H
	mm	mm	mm	mm
16B-1170	25.4	46.1	16.0	26.5
16B-1172	25.4	46.1	15	25.5

输送链 Conveyor chains

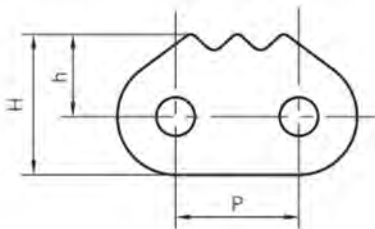
尖齿链 Sharp top chains



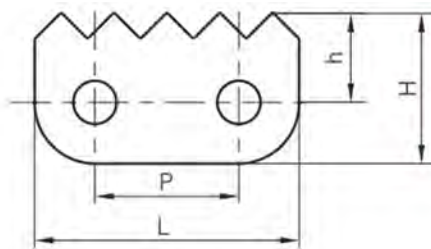
Vision Chain No.	P	h	H
	mm	mm	mm
C60F2	19.05	13.38	22.48



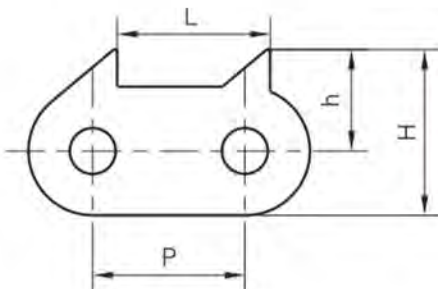
Vision Chain No.	P	h	H
	mm	mm	mm
12BF3	19.05	13.50	21.50



Vision Chain No.	P	h	H
	mm	mm	mm
60-910	19.05	12.70	21.70
12B-910	19.05	13.70	21.70



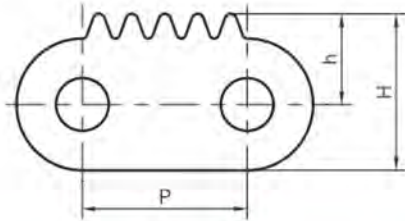
Vision Chain No.	P	h	H	L
	mm	mm	mm	mm
12B-911	19.05	11.9	20.0	35



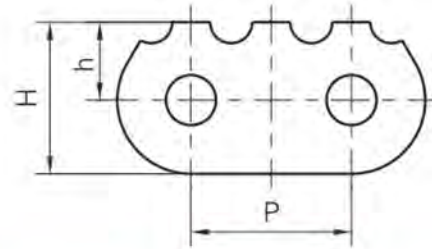
Vision Chain No.	P	h	H	L
	mm	mm	mm	mm
C12B-9010	19.05	13.0	21.0	19.05

输送链 Conveyor chains

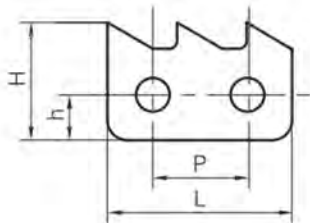
尖齿链 Sharp top chains



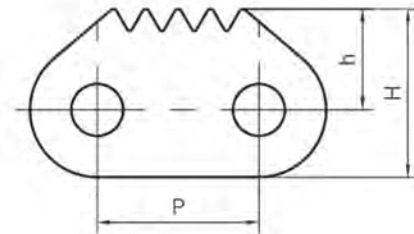
Vision Chain No.	P mm	h mm	H mm
LL1044F1	15.875	8.73	15.08



Vision Chain No.	P mm	h mm	H mm
60-911	19.05	9.25	18.0



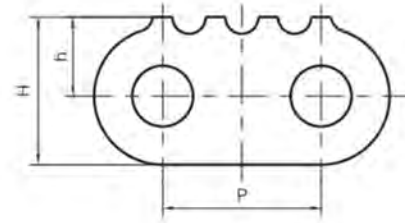
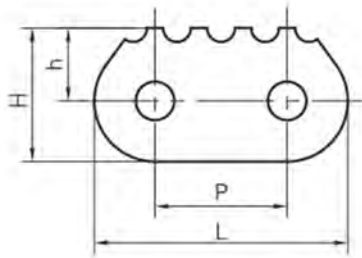
Vision Chain No.	P mm	L mm	h mm	H mm
20AF1	31.75	57.2	14.75	35.84



Vision Chain No.	P mm	h mm	H mm
C20BF9	31.75	19.8	33.0

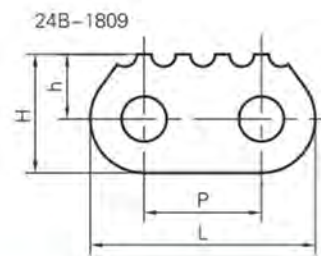
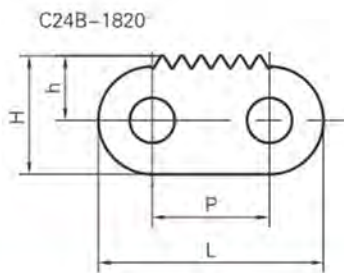
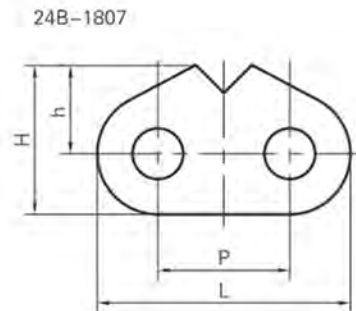
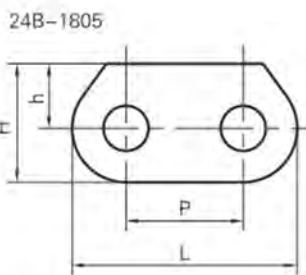
输送链 Conveyor chains

尖齿链 Sharp top chains



Vision Chain No.	P	L	h	H
	mm	mm	mm	mm
120-1802	38.1	73.1	21.0	38.5

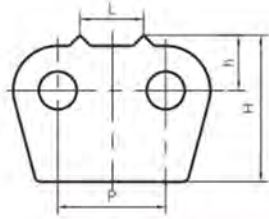
Vision Chain No.	P	h	H
	mm	mm	mm
24B-1810	38.1	19	35.5



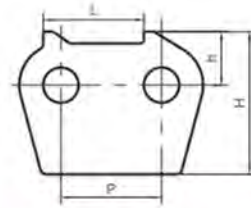
Vision Chain No.	P	L	h	H
	mm	mm	mm	mm
24B-1805	38.1	73.1	21.0	38.5
24B-1807	38.1	73.1	25.5	43.0
24B-1809	38.1	73.1	21.0	38.5
C24B-1820	38.1	73.1	21.0	38.5

输送链 Conveyor chains

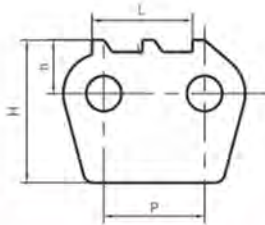
尖齿链 Sharp top chains



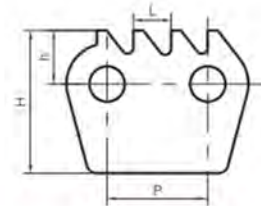
Vision Chain No.	P	h	H	L
	mm	mm	mm	mm
32BF4	50.8	26	70.0	30



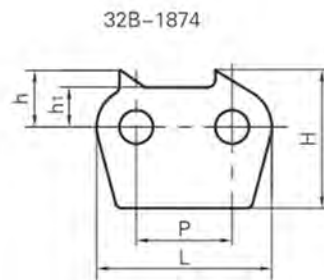
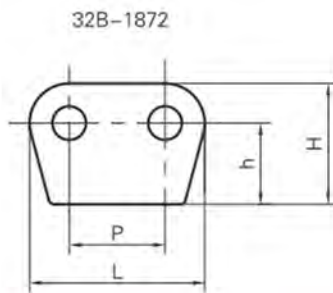
Vision Chain No.	P	h	H	L
	mm	mm	mm	mm
32B-1878	50.8	27	72	50.8



Vision Chain No.	P	h	H	L
	mm	mm	mm	mm
32B-1876	50.8	27	72.0	50.8



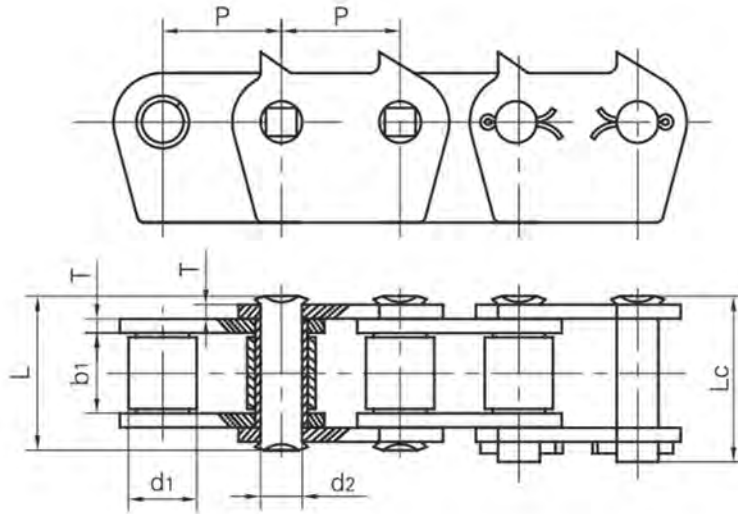
Vision Chain No.	P	h	H	L
	mm	mm	mm	mm
32B-1875	50.8	27	72.0	19



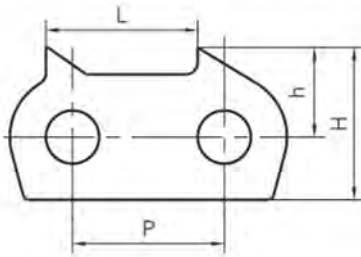
Vision Chain No.	P	L	h ₁	h	H
	mm	mm	mm	mm	mm
32B-1872	50.8	92.8		43.0	64.0
32B-1874	50.8	92.8	21.0	30.0	73.0

输送链 Conveyor chains

尖齿链 Sharp top chains



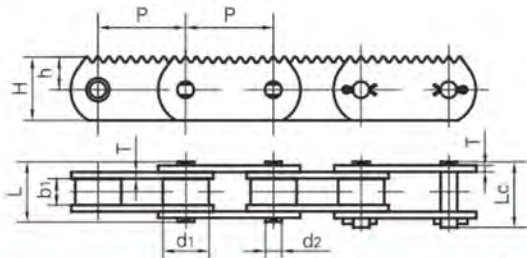
Vision Chain No.	节距	滚子直径	内节内宽	销轴直径	销轴长度		链板厚度	极限拉伸载荷	平均拉伸载荷	每米长重
	Pitch	Roller diameter	Width between inner plates	Pin diameter	Pin length		Plate thickness	Ultimate tensile strength	Average tensile strength	Weight per meter
	P	d1 max	b1 min	d2 max	L max	Lc max	T max	Q min	Q ₀	q
	mm	mm	mm	mm	mm	mm	mm	kN/LB	kN	kg/m
32B-1-1872	50.8	29.21	33.0	17.81	66.0	71.0	6.0	250.0/56818	275.0	13.54



Vision Chain No.	P	h	H	L
	mm	mm	mm	mm
32B-1877	50.8	30	51	50.8

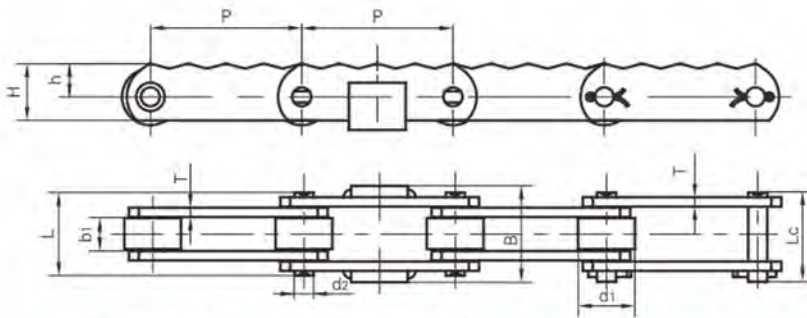
输送链 Conveyor chains

尖齿链 Sharp top chains



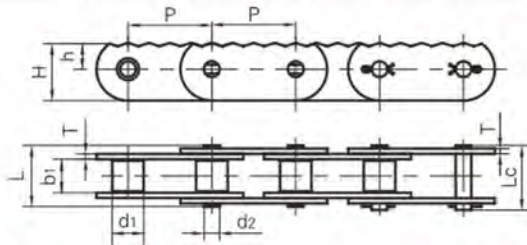
Vision Chain No.	P	h	H
	mm	mm	mm
P80	80.0	30	58

Vision Chain No.	节距	滚子直径	内节内宽	销轴直径	销轴长度		链板厚度	极限拉伸载荷	平均拉伸载荷	每米长重
	Pitch	Roller diameter	Width between inner plates	Pin diameter	Pin length		Plate thickness	Ultimate tensile strength	Average tensile strength	Weight per meter
	P	d ₁ max	b ₁ min	d ₂ max	L max	L _c max	T max	Q min	Q ₀	q
	mm	mm	mm	mm	mm	mm	mm	kN/LB	kN	kg/m
P80	80.0	42.0	24.0	15.0	55.0	60.0	6.0	250.0/56818	275.0	11.3



Vision Chain No.	P	h	H	B
	mm	mm	mm	mm
P80F2	80.0	17.5	30.0	51

Vision Chain No.	节距	滚子直径	内节内宽	销轴直径	销轴长度		链板厚度	极限拉伸载荷	平均拉伸载荷	每米长重
	Pitch	Roller diameter	Width between inner plates	Pin diameter	Pin length		Plate thickness	Ultimate tensile strength	Average tensile strength	Weight per meter
	P	d ₁ max	b ₁ min	d ₂ max	L max	L _c max	T max	Q min	Q ₀	q
	mm	mm	mm	mm	mm	mm	mm	kN/LB	kN	kg/m
P80F2	80.0	30.0	18.0	10.0	44.6	48.3	5.0	61.74/14030	70.0	4.15



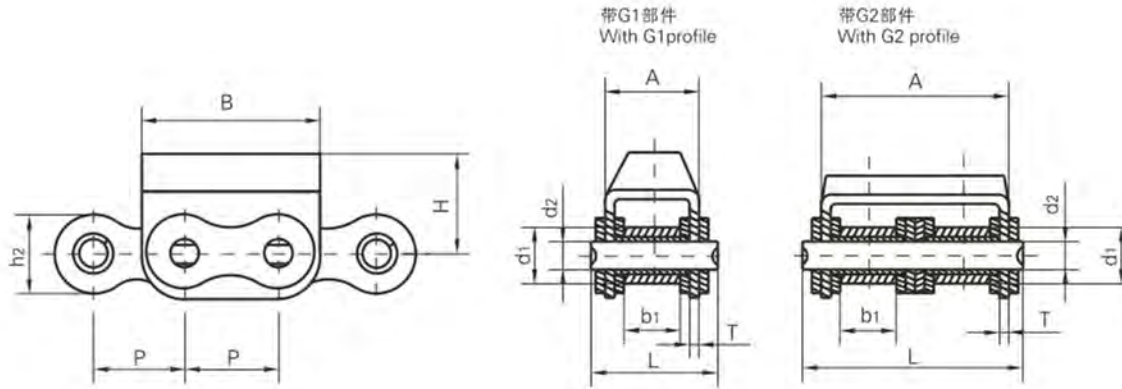
Vision Chain No.	P	h	H
	mm	mm	mm
P80F3	80.0	25	55

Vision Chain No.	节距	滚子直径	内节内宽	销轴直径	销轴长度		链板厚度	极限拉伸载荷	平均拉伸载荷	每米长重
	Pitch	Roller diameter	Width between inner plates	Pin diameter	Pin length		Plate thickness	Ultimate tensile strength	Average tensile strength	Weight per meter
	P	d ₁ max	b ₁ min	d ₂ max	L max	L _c max	T max	Q min	Q ₀	q
	mm	mm	mm	mm	mm	mm	mm	kN/LB	kN	kg/m
P80F3	80.0	30.0	32.0	15.0	58.6	62.6	5.0	98.0/20909	107.0	9.12

输送链 Conveyor chains

顶面橡胶滚子链

Roller chain with vulcanized elastomer pl

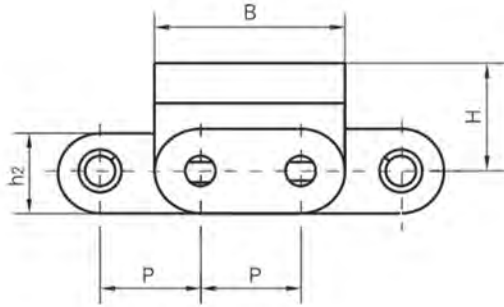


Vision Chain No.	节距	滚子直径	内节内宽	销轴直径	销轴长度	链板、附板尺寸					极限拉伸载荷	每米长重
	Pitch	Roller diameter	Width between inner plates	Pin diameter	Pin length	Plate and attachment dimension					Ultimate tensile strength	Weight per meter
	P	d ₁ max	b ₁ min	d ₂ max	L max	h ₂ max	A	B	H	T	Q min	q
mm	mm	mm	mm	mm	mm	mm	mm	mm	mm	mm	kN/LB	kg/m
08B-G1	12.70	8.51	7.75	4.45	20.0	11.8	14.6	24.2	12.3	1.60	18.0/4091	1.19
08B-G2	12.70	8.51	7.75	4.45	34.3	11.8	28.4	24.2	12.3	1.50	32.0/7273	2.07
10B-G1	15.875	10.16	9.65	5.08	23.2	14.7	16.8	30.0	17.0	1.60	19.0/4318	1.62
10B-G2	15.875	10.16	9.65	5.08	39.7	14.7	33.3	30.0	17.0	1.50	44.5/10114	2.56
12B-G1	19.05	12.07	11.68	5.72	25.7	16.0	19.6	36.0	21.0	1.85	29.0/6591	2.01
12B-G2	19.05	12.07	11.68	5.72	45.3	16.0	39.1	36.0	16.0	1.85	57.8/13136	3.21
12A-G1	19.05	11.91	12.57	5.94	29.9	18.0	21.4	37.1	21.0	1.85	31.8/7153	2.55
12AF1-G1	19.05	11.91	17.00	5.94	34.0	18.0	26.0	36.0	16.0	1.85	31.8/7153	2.62
16A-G1	25.40	15.88	15.75	7.92	37.2	24.0	27.5	46.0	20.0	2.42	42.0/9545	3.97
16A-G2	25.40	15.88	15.75	7.92	68.0	24.0	57.2	46.0	20.0	2.42	84/18896	7.27
16B-G1	25.40	15.88	17.02	8.28	39.7	21.0	29.1	49.0	21.4	1.60	58.0/13047	3.83
20A-G1	31.75	19.05	18.90	9.53	46.8	30.0	34.0	57.6	28.0	3.10	86.7/19503	6.15
20B-G1	31.75	19.05	19.56	10.19	48.0	26.4	36.0	57.0	27.0	3.50	85.0/19318	6.19
24B-G1	38.10	25.40	25.40	14.63	61.6	33.2	47.0	72.6	34.0	4.50	160.0/36363	11.25

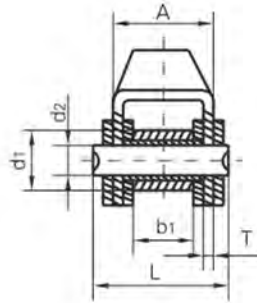
输送链 Conveyor chains

顶面橡胶滚子链

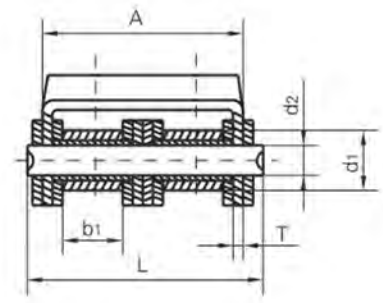
Roller chain with vulcanized elastomer pi



带G1部件
With G1 profile



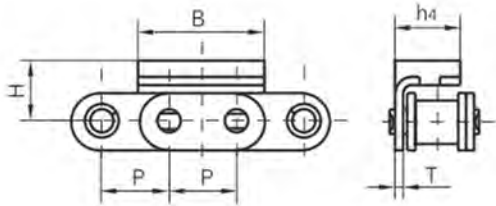
带G2部件
With G2 profile



Vision Chain No.	节距	滚子直径	内节内宽	销轴直径	销轴长度	链板、附板尺寸					极限拉伸载荷	每米长重
	Pitch	Roller diameter	Width between inner plates	Pin diameter	Pin length	Plate and attachment dimension					Ultimate tensile strength	Weight per meter
	P	d1 max	b1 min	d2 max	L max	h2 max	A	B	H	T	Q min	q
mm	mm	mm	mm	mm	mm	mm	mm	mm	mm	mm	kN/LB	kg/m
C08B-G1	12.700	8.51	7.75	4.45	20.0	11.8	14.6	24.2	12.3	1.60	18.0/4091	1.30
C08B-G2	12.700	8.51	7.75	4.45	34.3	11.8	28.4	24.2	12.3	1.50	32.0/7273	2.29
C10B-G1	15.875	10.16	9.65	5.08	23.2	14.7	16.8	30.0	17.0	1.60	19.0/4318	1.75
C10B-G2	15.875	10.16	9.65	5.08	39.7	14.7	33.3	30.0	17.0	1.50	44.5/10114	2.95
C12B-G1	19.050	12.07	11.68	5.72	25.7	16.0	19.6	36.0	21.0	1.85	29.0/6591	2.15
C12B-G2	19.050	12.07	11.68	5.72	45.3	16.0	39.1	36.0	16.0	1.85	57.8/13136	3.48
C16A-G1	25.400	15.88	15.75	7.92	37.2	24.0	27.5	46.0	20.0	2.42	42.0/9545	4.34
C16B-G1	25.400	15.88	17.02	8.28	39.7	21.0	29.05	49.0	21.4	1.60	58.0/13047	4.11
C20B-G1	31.750	19.05	19.56	10.19	48.0	26.4	36.0	57.0	27.0	3.50	85.0/19318	6.65
C24B-G1	38.100	25.40	25.40	14.63	61.6	33.2	47.0	72.6	34.0	4.50	160.0/36363	11.63

输送链 Conveyor chains

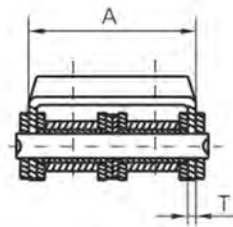
顶面橡胶滚子链 Roller chain with vulcanized elastomer pi



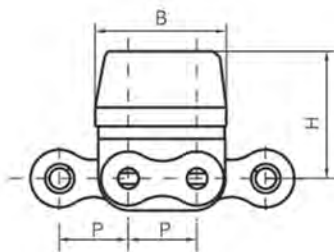
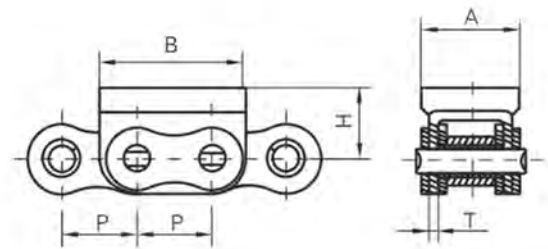
Vision Chain No.	P	B	H	h4	T
	mm	mm	mm	mm	mm
06BF9	9.525	17.73	9.0	9.05	1.3

Vision Chain No.	P	A	B	H	T
	mm	mm	mm	mm	mm
08B-G1F1	12.7	18.0	24.2	12.3	1.6
08B-G2F1	12.7	28.4	24.2	12.0	1.5

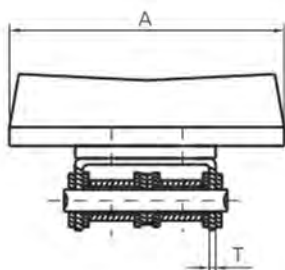
08B-G2F1



Vision Chain No.	P	A	B	H	T
	mm	mm	mm	mm	mm
10B-G1F2	15.875	25.0	30.0	14.0	1.6
10B-G1F3	15.875	20.0	30.0	18.0	1.6

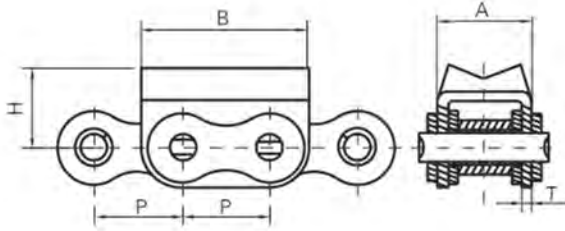


Vision Chain No.	P	A	B	H	T
	mm	mm	mm	mm	mm
12B-G2F3	19.05	77.0	37.0	36.0	1.85
12B-G2F8	19.05	101.0	37.0	36.0	1.85

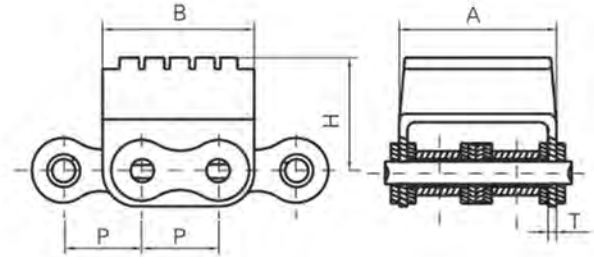


输送链 Conveyor chains

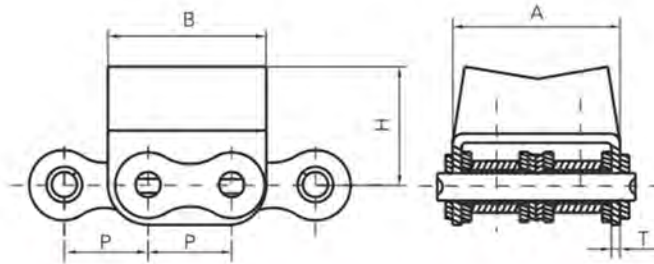
顶面橡胶滚子链 Roller chain with vulcanized elastomer pi



Vision Chain No.	P	A	B	H	T
	mm	mm	mm	mm	mm
12B-G1F1	19.05	19.6	36.0	18.0	1.85



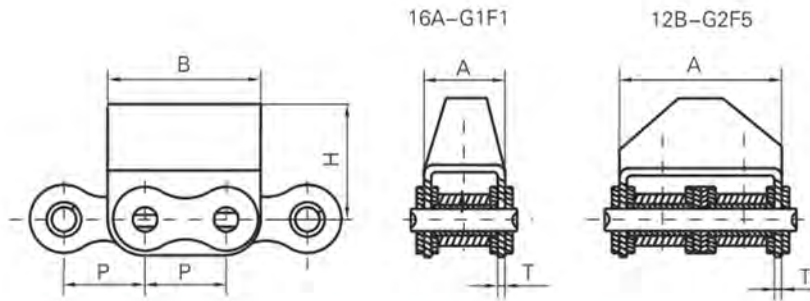
Vision Chain No.	P	A	B	H	T
	mm	mm	mm	mm	mm
12B-G2F6	19.05	39.1	37.3	28.2	1.85



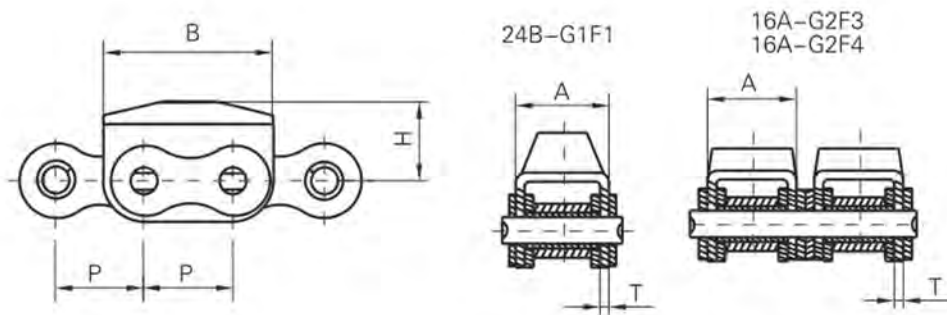
Vision Chain No.	P	A	B	H	T
	mm	mm	mm	mm	mm
12B-G2F4	19.05	39.1	36.0	27.5	1.85

输送链 Conveyor chains

顶面橡胶滚子链 Roller chain with vulcanized elastomer pi



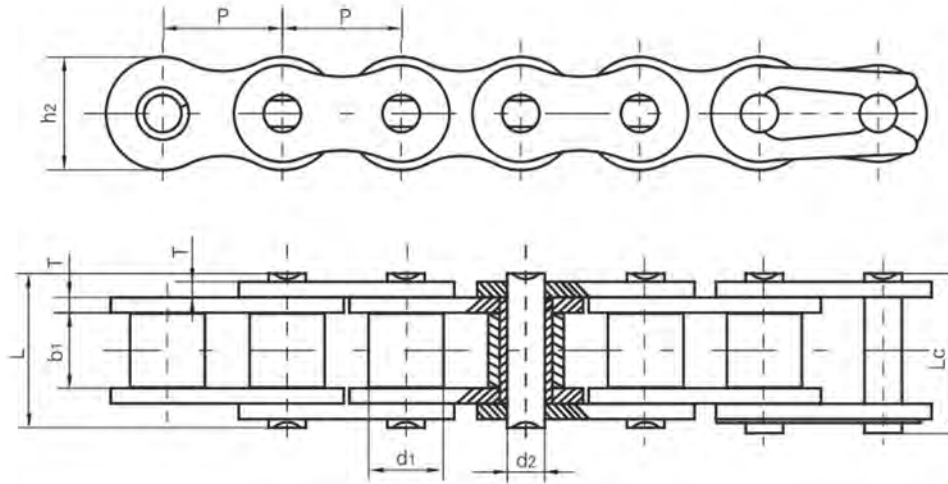
Vision Chain No.	P	A	B	H	T
	mm	mm	mm	mm	mm
12B-G2F5	19.05	39.1	36.0	28.0	1.85
16A-G1F1	25.40	27.5	46.0	21.4	2.42



Vision Chain No.	P	A	B	H	T
	mm	mm	mm	mm	mm
16A-G2F3	25.4	27.5	49.0	21.4	2.42
16A-G2F4	25.4	27.0	49.2	20.0	2.03
24B-G1F1	38.1	47.0	72.6	34.0	4.5

输送链 Conveyor chains

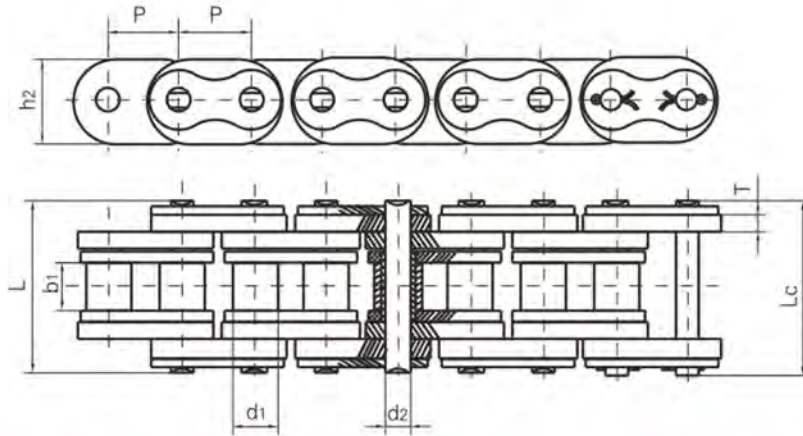
带塑料滚子链 Roller chain with plastic rollers



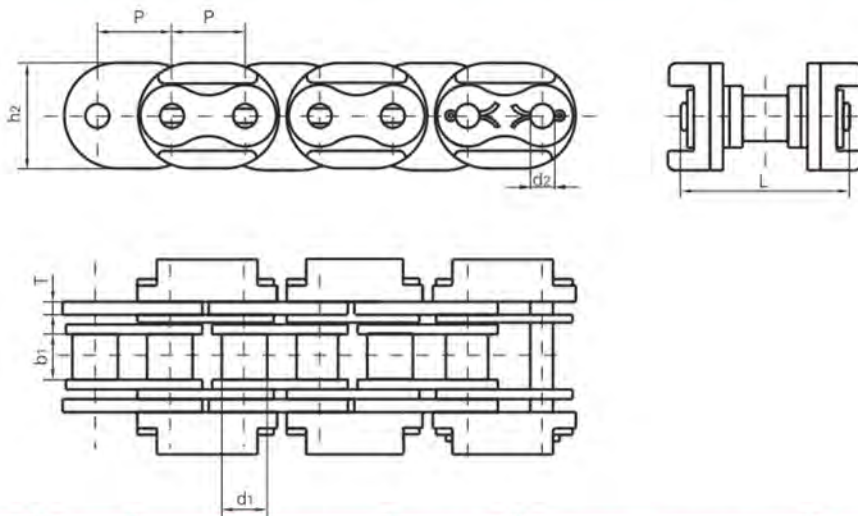
Vision Chain No.	节距	滚子直径	内节内宽	销轴直径	销轴长度		内链板高度	链板厚度	极限拉伸载荷	平均拉伸载荷	每米长重
	Pitch	Roller diameter	Width between inner plates	Pin diameter	Pin length		Inner plate depth	Plate thickness	Ultimate tensile strength	Average tensile strength	Weight per meter
	P	d1 max	b1 min	d2 max	L max	Lc max	h2 max	T	Q min	Q0	q
	mm	mm	mm	mm	mm	mm	mm	mm	kN/LB	kN	kg/m
40-P	12.700	7.95	7.85	3.96	16.60	17.80	12.00	1.50	14.10/3205	17.5	0.56
50-P	15.875	10.16	9.40	5.08	20.70	22.20	15.09	2.03	22.20/5045	29.4	0.96
60-P	19.050	11.91	12.57	5.94	25.90	27.70	18.00	2.42	31.80/7227	41.5	1.35
80-P	25.400	15.88	15.75	7.92	32.70	35.00	24.00	3.25	56.70/12886	69.4	2.26
A2050-P	31.750	10.16	9.40	5.08	20.70	22.20	15.00	2.03	22.2/5045	28.1	0.61

输送链 Conveyor chains

带塑料附板滚子链 Roller chain with plastic attachments



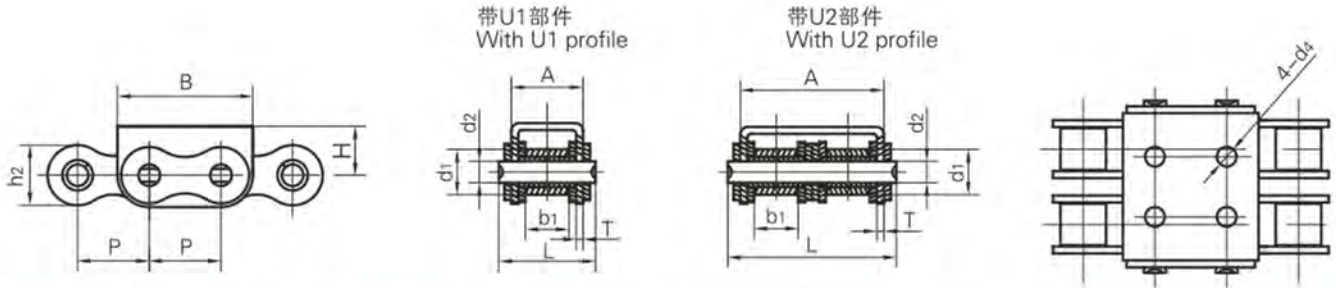
Vision Chain No.	节距	滚子直径	内节内宽	销轴直径	销轴长度		链板、附板尺寸		极限拉伸载荷	每米长重
	Pitch	Roller diameter	Width between inner plates	Pin diameter	Pin length		Plate and attachment dimension		Ultimate tensile strength	Weight per meter
	P	d1 max	b1 min	d2 max	L max	Lc max	h2	T	Q min	q
	mm	mm	mm	mm	mm	mm	mm	mm	kN/LB	kg/m
16BF9	25.4	15.88	17.02	8.28	61.0	64.2	30.0	6.0	22.0/4949	3.7



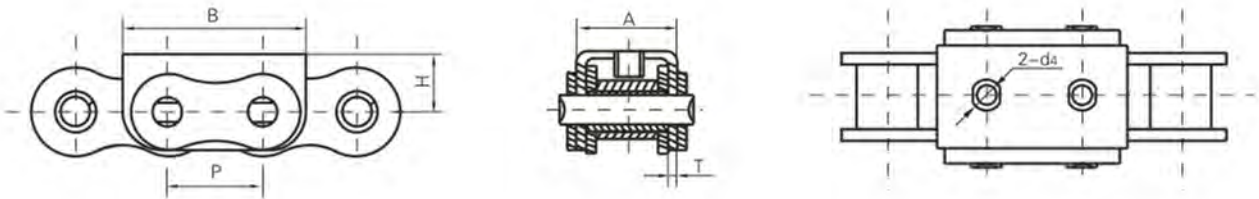
Vision Chain No.	节距	滚子直径	内节内宽	销轴直径	销轴长度	链板、附板尺寸		极限拉伸载荷	每米长重
	Pitch	Roller diameter	Width between inner plates	Pin diameter	Pin length	Plate and attachment dimension		Ultimate tensile strength	Weight per meter
	P	d1 max	b1 min	d2 max	L max	h2 max	T	Q min	q
	mm	mm	mm	mm	mm	mm	mm	kN/LB	kg/m
20BF6	31.75	19.05	19.56	10.19	73.7	45.0	6.0	95.0/21591	6.35

输送链 Conveyor chains

带U型附件滚子链 Roller chain with U type attachments



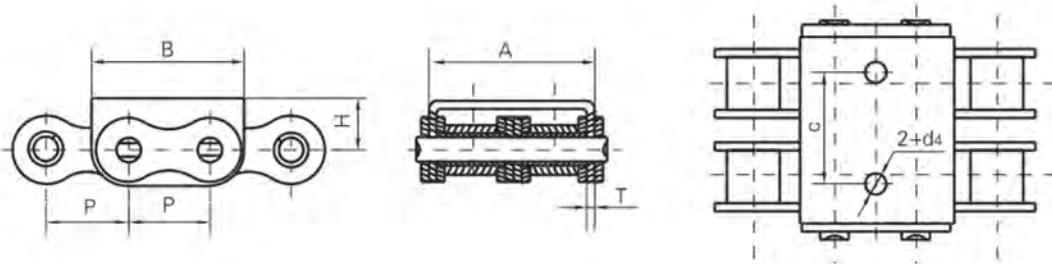
Vision Chain No.	节距	滚子直径	内节内宽	销轴直径	销轴长度	链板、附板尺寸						极限拉伸载荷	每米重量
	P	d1 max	b1 min	d2 max	L max	h2 max	A	B	H	d4	T	Q min	q
	mm	mm	mm	mm	mm	mm	mm	mm	mm	mm	mm	kN/LB	kg/m
08B-U1	12.700	8.51	7.75	4.45	20.0	11.8	14.60	24.2	8.3	4	1.60	18.0/4091	1.13
08B-U2	12.700	8.51	7.75	4.45	34.3	11.8	28.40	24.2	8.3	4	1.50	32.0/7273	1.96
10B-U1	15.875	10.16	9.65	5.08	23.2	14.7	16.80	30.0	11.3	5	1.60	19.0/4318	1.53
10B-U2	15.875	10.16	9.65	5.08	39.7	14.7	33.30	30.0	11.3	5	1.50	44.5/10114	2.47
12B-U1	19.050	12.07	11.68	5.72	25.7	16.0	19.60	36.0	13.0	5	1.85	29.0/6591	1.90
12B-U2	19.050	12.07	11.68	5.72	45.3	16.0	39.10	36.0	12.0	5	1.85	57.8/13136	3.03
16A-U1	25.400	15.88	15.75	7.92	37.2	24.0	27.50	46.0	16.0	7	2.42	42.0/9545	3.87
16B-U1	25.400	15.88	17.02	8.28	39.7	21.0	29.05	49.0	15.4	6	1.60	58.0/13407	3.73
16B-U2	25.400	15.88	17.02	8.28	71.7	21.0	60.93	49.0	16.2	6	1.60	106/26094	6.15
20BF2	31.750	19.05	19.56	10.19	48.0	26.4	36.00	57.0	21.0	8	3.50	85.0/19318	6.01
24B-U1	38.100	25.40	25.40	14.63	61.6	33.2	47.00	72.6	28.0	10	4.50	160.0/36363	10.88



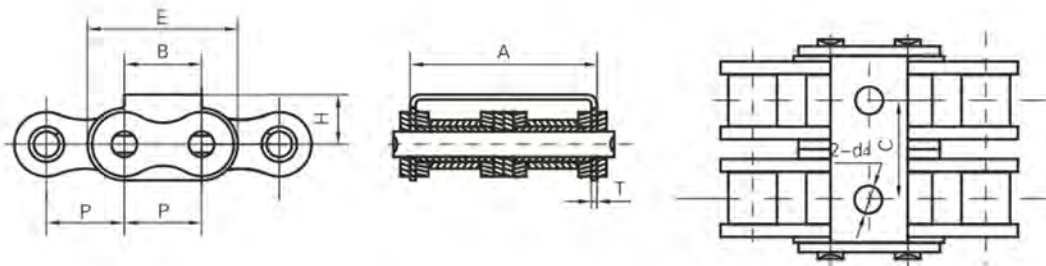
Vision Chain No.	P	A	B	d4	H	T
	mm	mm	mm	mm	mm	mm
10B-U1F1	15.875	16.8	30.0	M5	11.30	1.6
16A-U1F2	25.400	27.3	49.5	M6	16.45	2.3
16B-U1F3	25.400	30.3	49.5	M6	16.45	2.3
16B-U1F4	25.400	29.8	47.8	M5	15.00	2.0
16A-U1F7	25.400	27.3	49.5	M6	16.45	2.3

输送链 Conveyor chains

带U型附件滚子链 Roller chain with U type attachments



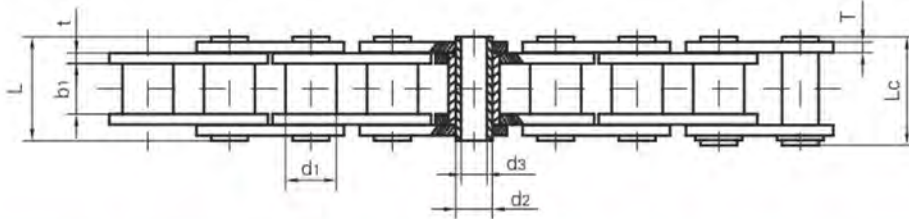
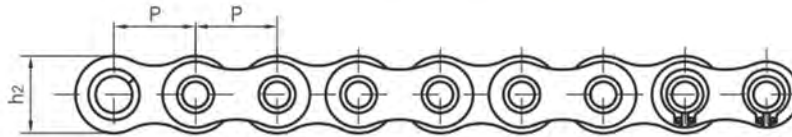
Vision Chain No.	P	A	B	C	d ₄	H	T
	mm	mm	mm	mm	mm	mm	mm
08B-U2F2	12.7	28.4	24.2	17.5	3.3	8.3	1.5



Vision Chain No.	P	A	B	C	d ₄	E	H	T
	mm	mm	mm	mm	mm	mm	mm	mm
16B-U2F1	25.4	60.93	25.0	33.5	9.0	49.0	16.2	1.6

输送链 Conveyor chains

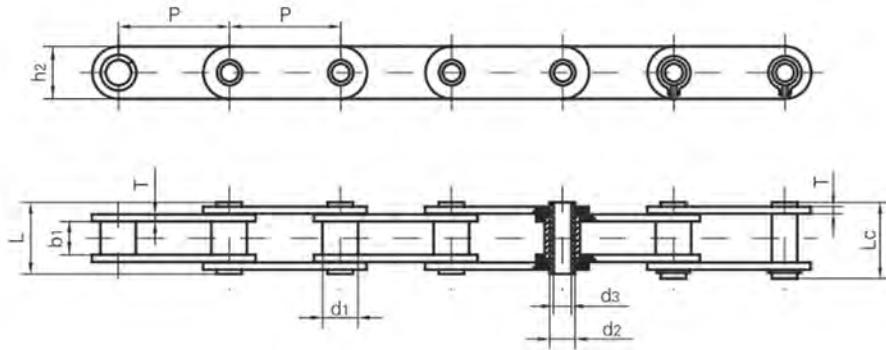
空心销轴链 Hollow pin chains



Vision Chain No.	节距	套筒直径	内节内宽	销轴直径		销轴长度		内链板高度	链板厚度	极限拉伸载荷	平均拉伸载荷	每米长重
	Pitch	Bush diameter	Width between inner plates	Pin diameter		Pin length		Inner plate depth	Plate thickness	Ultimate tensile strength	Average tensile strength	Weight per meter
	P	d ₁ max	b ₁ min	d ₂ max	d ₃ min	L max	L _c max	h ₂ max	t/T max	Q min	Q ₀	q
	mm	mm	mm	mm	mm	mm	mm	mm	mm	kN/LB	kN	kg/m
08BHPF	12.700	8.51	7.75	6.55	4.50	16.4	17.6	11.80	1.6/1.3	11.1/2523	12.1	0.56
08BHPF5	12.700	8.51	7.75	6.30	4.50	16.8	18.0	12.00	1.60	9.6/2182	10.6	0.62
10BHPF3	15.875	10.16	9.65	7.02	5.13	19.5	20.5	14.70	1.70	10.0/2272	11.5	0.86
10BHPF4	15.875	10.16	9.50	7.20	5.00	19.8	21.3	14.00	2.03/1.6	12.5/2840	14.0	0.82
12BHPF2	19.050	12.07	11.68	8.09	6.00	22.7	23.9	16.10	1.85	14.0/3180	16.0	0.82
12BHPF3	19.050	12.07	11.70	8.22	5.75	23.6	24.9	16.20	2.42/1.85	16.0/3636	18.0	1.14
16BHPF3	25.400	15.88	17.02	11.50	8.20	35.3	37.0	23.20	4.0/3.1	49.0/11136	52.2	2.26
16BHPF4	25.400	11.70	13.50	8.00	4.30	28.9	30.2	21.30	3.00	30.0/6818	33.0	1.81
40HP	12.700	7.95	7.85	5.63	4.00	16.5	17.6	12.00	1.50	11.0/2500	12.2	0.54
50HP	15.875	10.16	9.40	7.03	5.13	20.7	21.9	15.09	2.03	20.0/4545	22.6	0.91
50HPF4	15.875	10.16	8.80	7.03	5.13	19.9	21.1	15.09	2.03	18.0/4180	19.2	0.89
60HP	19.050	11.91	12.70	8.31	6.00	25.8	26.8	18.00	2.42	24.0/5455	26.9	1.29
60HPF1	19.050	11.91	12.70	8.31	5.01	25.5	26.8	18.00	2.42	28.0/6364	30.9	1.37
80HP	25.400	15.88	15.75	11.40	8.05	32.5	33.8	24.00	3.25	50.0/11364	52.0	2.26
80HPF1	25.400	11.70	13.50	7.80	4.00	27.0	28.4	21.50	2.42	27.44/6236	29.3	1.50
80HPF2	25.400	15.88	15.75	11.40	8.40	32.5	33.8	24.00	3.25	45.0/10227	48.0	2.23
A2080HP	50.800	15.88	15.75	11.40	8.05	32.4	33.8	24.00	3.25	42.3/9615	46.1	1.60

输送链 Conveyor chains

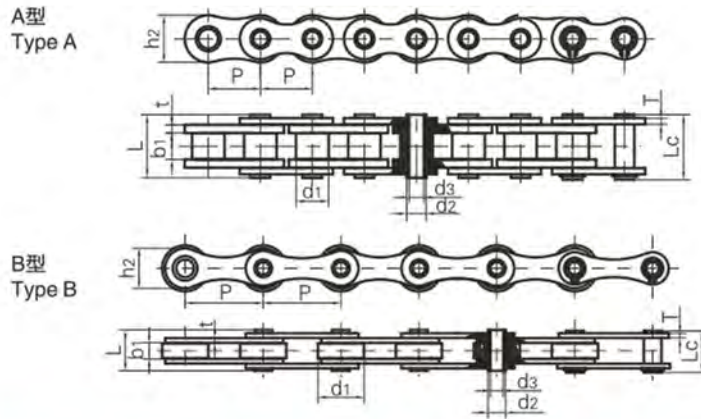
空心销轴链 Hollow pin chains



Vision Chain No.	节距 Pitch	套筒直径 Bush diameter	内节内宽 Width between inner plates	销轴直径 Pin diameter		销轴长度 Pin length		内链板高度 Inner plate depth	链板厚度 Plate thickness	极限拉伸载荷 Ultimate tensile strength	平均拉伸载荷 Average tensile strength	每米长重 Weight per meter
	P	d_1 max	b_1 min	d_2 max	d_3 min	L max	L_c max	h_2 max	T max	Q min	Q_0	q
	mm	mm	mm	mm	mm	mm	mm	mm	mm	kN/LB	kN	kg/m
C2040HP	25.400	7.95	7.85	5.63	4.00	16.5	17.6	12.00	1.50	11.0/2500	12.6	0.46
C2040HPF1	25.400	7.95	7.85	5.63	M4	16.5	17.6	12.0	1.5	9.0/2045	9.9	0.44
C2050HP	31.750	10.16	9.40	7.22	5.12	20.5	21.8	15.00	2.03	20.4/4636	22.8	0.76
C2060HP	38.100	11.91	12.70	8.31	6.00	25.8	26.8	17.00	2.42	24.0/5455	27.1	1.02
HP40F1	40.000	18.00	22.00	12.00	8.00	47.5	48.2	35.00	5.00	57.0/13049	63.8	5.38
HP40F2	40.000	18.00	22.00	12.00	8.20	47.5	48.2	35.00	5.00	57.0/13049	63.0	5.37
C2080HP	50.800	15.88	15.75	11.40	8.05	32.5	33.8	24.00	3.25	50.0/11364	52.0	1.81
HP50F1	50.000	26.00	14.50	20.00	14.70	35.3	36.2	40.00	3.10	30.0/6818	33.6	3.98
C40HP	12.700	7.95	7.85	5.63	4.00	16.5	17.6	12.00	1.50	11.0/2500	12.2	0.64
C50HP	15.875	10.16	9.40	7.03	5.13	20.7	21.9	15.09	2.03	20.0/4545	22.6	1.05
C60HP	19.050	11.91	12.70	8.31	6.00	25.8	26.8	18.00	2.42	24.0/5455	26.9	1.52
C80HP	25.400	15.88	15.75	11.40	8.05	32.5	33.8	24.00	3.25	50.0/11364	52.0	2.63
C08BHP	12.700	8.51	7.75	6.55	4.50	16.4	17.6	11.8	1.6/1.3	11.0/2500	11.5	0.62
HP12.5	12.500	8.51	8.20	6.65	4.50	16.4	17.6	11.6	1.5/1.3	8.0/1819	8.8	0.61
HP50F7	50.000	18.00	15.00	14.00	10.20	36.0	37.5	26.0	4.0	40/9091	43.2	2.56
HP50F10	50.000	18.00	22.00	12.10	8.30	39.5	40.6	30.0	3.0	45/10227	48.0	2.73
HB55	55.000	18.00	22.00	14.00	10.00	43.4	44.5	30.0	4.0	50/11364	52.0	3.31
HB55F1	55.000	24.00	24.00	17.00	12.00	52.0	53.5	40.0	5.0	90/20455	100.0	6.34
HB38.1F8	38.100	10.16	9.65	7.10	5.40	20.4		16.0	2.03	13/2954	14.3	0.67

输送链 Conveyor chains

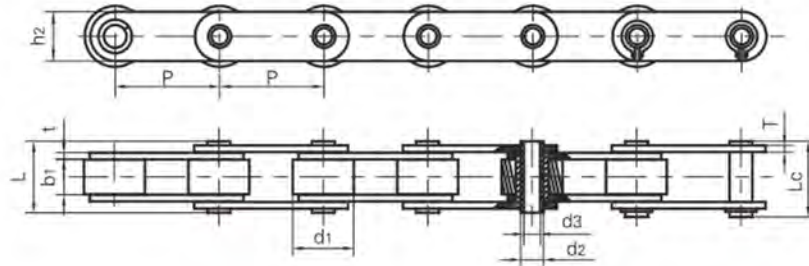
空心销轴链 Hollow pin chains



Vision Chain No.	节距	滚子直径	内节内宽	销轴直径			销轴长度		内链板高度	链板厚度	极限拉伸载荷	平均拉伸载荷	每米长重	型号
	Pitch	Roller diameter	Width between inner plates	Pin diameter			Pin length		Inner plate depth	Plate thickness	Ultimate tensile strength	Average tensile strength	Weight per meter	
	P	d1 max	b1 min	d2 max	d3 min	L max	Lc max	h2 max	t/T max	Q min	Q0	q		
	mm	mm	mm	mm	mm	mm	mm	mm	mm	kN/LB	kN	kg/m		
10BHB	15.875	10.16	9.65	5.94	4.04	19.30	20.6	14.70	1.70	17.00/3864	20.8	0.86	A	
12BHP	19.050	12.07	11.68	6.50	4.00	21.60	22.8	15.90	1.85	23.60/5364	25.9	1.09	A	
60HB	19.050	11.91	12.70	7.00	5.01	25.50	26.6	18.00	2.42	20.00/4545	22.4	1.35	A	
16BHF1	25.400	15.88	12.70	9.53	7.05	30.80	32.2	23.00	4.15/3.1	40.00/9091	45.0	2.28	A	
HB25.4	25.400	20.00	8.00	8.00	5.20	19.50	20.5	17.00	2.03	25.00/5680	28.0	1.30	A	
HP35	35.000	20.00	16.00	13.35	10.20	30.40	31.6	26.30	2.50	23.52/5345	26.4	2.02	A	
HB35	35.000	20.00	16.00	14.00	10.2	32.00	33.5	38.10	3.00	40.00/9091	45.0	2.39	A	
HB38.1	38.100	20.00	8.00	8.00	5.30	19.60	20.7	17.30	2.03	28.00/5682	28.8	0.98	B	
HB38.1F1	38.100	20.00	18.00	10.50	5.10	39.00	40.3	22.00	4.00	60.00/13636	64.3	2.59	B	
HB38.1F3	38.100	25.40	12.70	12.00	8.30	27.00	28.6	38.10	2.50	25.00/5682	28.8	1.51	B	
HB38.1F4	38.100	20.00	12.70	8.00	5.20	26.00	27.2	17.00	2.42	24.00/5455	26.9	1.48	B	
HP40F4	40.000	26.00	10.00	11.40	8.20	26.50	28.0	24.00	3.00	50.00/11364	56.7	2.20	B	
HP41.75F1	41.750	17.10	20.20	11.11	8.20	35.70	39.0	21.65	3.10	26.50/6022	29.2	1.60	A	
HP41.75F2	41.750	17.10	20.20	11.11	8.20	35.70	41.0	25.26	3.10	49.00/11136	54.8	2.04	A	
HP41.75F3	41.750	17.00	20.50	11.00	8.30	36.00	39.5	21.40	3.00	27.00/6136	28.0	1.62	A	
HP50F2	50.000	31.00	15.00	13.20	10.20	36.50	38.0	25.00	4.00	40.00/9091	43.2	3.40	B	
HB50	50.000	30.00	10.50	11.40	8.20	27.40	28.6	26.00	3.10	50.00/11364	53.6	2.23	B	
HB50.8	50.800	30.00	10.50	11.40	8.20	27.40	28.6	26.00	3.10	50.00/11364	53.6	2.56	B	
HB50.8F4	50.800	30.00	10.50	13.60	8.20	27.40	28.9	26.00	3.10	42.00/9545	48.2	2.28	B	
HB63	63.000	30.00	10.00	11.40	8.10	26.70	28.1	26.50	3.10	50.00/11364	53.6	2.07	B	
HB63F1	63.000	40.00	10.00	11.40	8.10	26.70	28.1	26.50	3.10	50.00/11364	53.6	2.27	B	
HB63F2	63.000	40.00	20.00	11.40	8.10	36.70	38.1	26.50	3.10	50.00/11364	53.6	3.20	B	
HB63F3	63.000	40.00	15.00	11.40	8.20	35.60	37.0	26.50	4.00	35.00/7955	38.5	3.90	B	
HB63F4	63.000	30.00	20.00	11.40	8.10	27.40	36.7	38.10	3.10	50.00/11364	53.6	2.97	B	
HB63F6	63.000	30.00	10.00	11.70	8.20	26.70	28.1	26.50	3.10	50.00/11364	56.7	2.08	B	
HB63F7	63.000	40.00	18.00	14.00	10.20	38.00	39.5	28.00	4.00	50.00/11364	56.7	4.26	B	
HB63F8	63.000	30.00	20.00	11.70	8.10	36.50	38.0	26.50	3.10	50.00/11364	56.7	2.91	B	
HB100	100.000	30.00	10.50	11.40	8.20	27.40	28.6	26.00	3.10	50.00/11364	53.6	1.56	B	

输送链 Conveyor chains

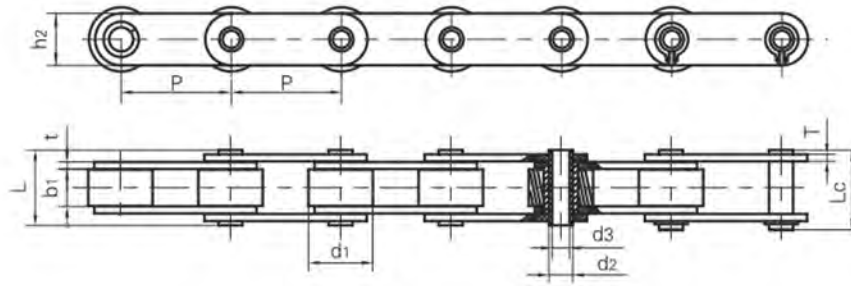
空心销轴链 Hollow pin chains



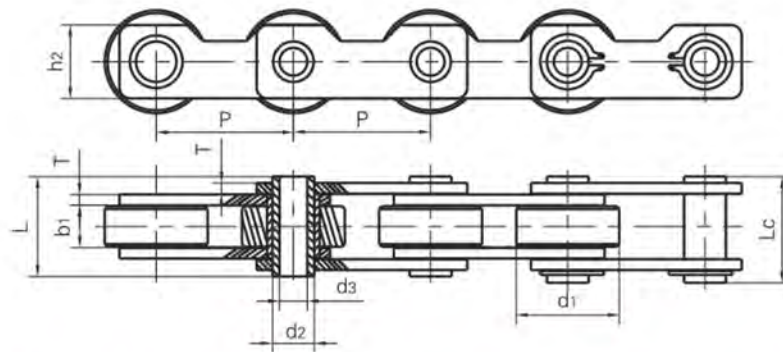
Vision Chain No.	节距	滚子直径	内节内宽 Width between inner plates	销轴直径		销轴长度		内链板高度	链板厚度	极限拉伸载荷	平均拉伸载荷	每米长重
	P	d_1 max		d_2 max	d_3 min	L max	L_c max	h_2 max	t/T max	Ultimate tensile strength	Average tensile strength	Weight per meter
	mm	mm	b_1 min	mm	mm	mm	mm	mm	mm	kN/LB	kN	kg/m
C2042HP	25.40	15.88	7.85	5.63	4.00	16.5	17.6	12.00	1.50	11.0/2500	12.6	0.78
C2052HP	31.75	19.05	9.53	7.22	5.12	20.5	21.8	15.00	2.03	20.4/4636	22.8	1.25
C2062HP	38.10	22.23	12.70	8.31	6.00	25.8	26.8	17.00	2.42	24.0/5455	27.1	1.72
C2082HP	50.80	28.58	15.75	11.40	8.05	32.4	33.8	24.00	3.25	50.0/11364	52.0	2.82
C2042H-HP	25.40	15.88	7.85	5.63	4.00	18.8	19.9	12.00	2.03	11.0/2500	13.2	0.95
C2052HPF1	31.75	19.05	9.40	7.03	5.12	20.0	21.5	15.30	1.85	15.0/3409	17.3	1.21
C2052HPF3	31.75	19.05	9.53	7.02	5.13	20.1	21.6	15.09	2.03	19.6/4455	21.6	1.20
C2052H-HP	31.75	19.05	9.53	7.22	5.12	22.1	23.4	15.00	2.42	20.4/4545	23.5	1.44
C2062H-HP	38.10	22.23	12.70	8.31	6.00	29.2	30.2	17.00	3.25	24.0/5455	27.6	1.99
C2082H-HP	50.80	28.58	15.75	11.40	8.05	35.7	37.0	24.00	4.00	50.0/11364	56.5	3.34
HP40	40.00	22.00	8.75	9.00	6.00	23.0	24.2	18.00	2.50	27.0/4545	28.0	1.49
HB40F1	40.00	22.00	9.00	9.00	6.00	23.0	24.5	18.00	2.50	20.0/4546	22.0	1.58
HB41.4	41.40	25.40	15.00	13.8	10.50	35.5	37.0	32.00	4.00	45.0/10227	48.0	4.20
HP50	50.00	31.00	14.50	13.20	10.40	31.1	32.5	25.00	3.10	30.0/6818	34.2	3.29
HP50F4	50.00	31.00	15.00	13.20	10.20	36.5	38.0	25.00	4.00	40.0/9091	44.8	3.73
HB50	50.00	31.00	15.00	14.00	10.20	36.0	37.5	25.00	4.00	40.0/9091	43.2	3.98
HB50.8F8	50.80	32.00	20.00	19.10	12.40	44.6	46.4	40.00	5.0/4.0	100.0/22727	108.0	6.75
C1655HP	50.80	30.00	10.5	13.00	8.20	27.4	28.9	26.00	3.10	42.0/9545	48.2	2.72
HP50.8	50.80	26.00	15.88	20.00	14.30	41.0	42.2	38.10	4.80	100.0/22727	108.0	5.32
HB50.8F9	50.80	35.00	12.00	15.50	10.20	36.0	37.3	30.00	5.00	70.0/15909	77.0	4.92
63HPF1	63.00	40.00	15.00	16.00	12.10	35.0	36.2	28.50	4.00	50.0/11364	56.7	4.20
DH4202HP	50.80	31.80	15.00	14.00	10.10	36.3	39.0	26.00	3.80	42.0/9545	51.6	3.75
DH4203HP	76.20	31.80	15.00	14.00	10.10	36.3	39.0	26.00	3.80	42.0/9545	47.1	3.01
DH42035HP	88.90	31.80	15.00	14.00	10.10	36.3	39.0	26.00	3.80	42.0/9545	51.1	2.79
DH4204HP	101.60	31.80	15.00	14.00	10.10	36.3	39.0	26.00	3.80	42.0/9545	51.6	2.63
DH8403HP	76.20	47.60	19.00	19.05	13.60	43.8	46.3	39.00	5.1/3.8	84.3/19159	130.3	6.81
DH8404HP	101.60	47.60	19.00	19.05	13.60	43.8	46.3	39.00	5.1/3.8	84.3/19159	130.3	5.78

输送链 Conveyor chains

空心销轴链 Hollow pin chains



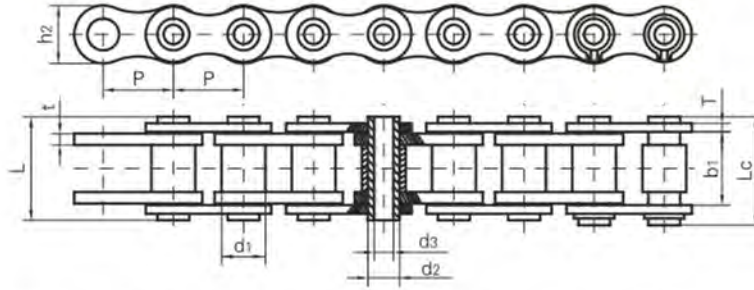
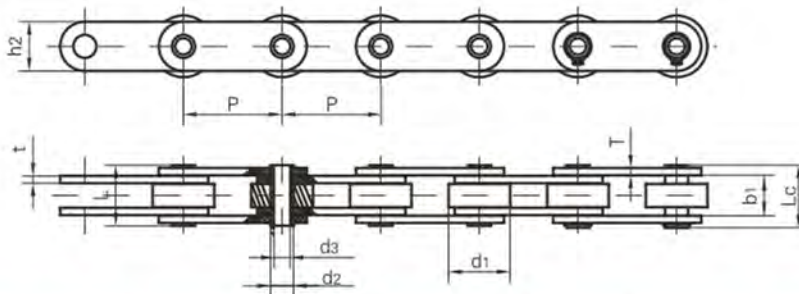
Vision Chain No.	节距 Pitch	滚子直径 Roller diameter	内节内宽 Width between inner plates	销轴直径 Pin diameter		销轴长度 Pin length		内链板高度 Inner plate depth	链板厚度 Plate thickness	极限拉伸载荷 Ultimate tensile strength	平均拉伸载荷 Average tensile strength	每米长重 Weight per meter
	P	d1 max	b1 min	d2 max	d3 min	L max	Lc max	h2 max	t/T max	Q min	Q0	q
	mm	mm	mm	mm	mm	mm	mm	mm	mm	kN/LB	kN	kg/m
DH8406HP	152.40	47.60	19.00	19.05	13.60	43.8	46.3	39.0	5.1/3.8	84.0/19091	130.3	5.18
HB38.1F2	38.10	25.40	12.70	9.50	6.60	26.6	28.0	19.1	2.30	20.0/4545	22.4	2.07
HB50.8F3	50.80	30.00	16.00	14.00	9.00	36.4	37.5	25.5	3.10	42.0/9545	47.0	3.20
HB75	75.00	40.00	22.00	18.00	12.20	42.0	44.0	35.0	4.00	60.0/13636	72.0	5.57
HB76.2	76.20	31.75	15.50	12.70	9.50	35.5	37.0	26.0	4.00	42.0/9545	49.2	3.25
HB76.2F2	76.20	47.60	20.00	24.00	18.50	44.5	46.1	40.0	5.0/4.0	79.0/17953	92.5	6.77
HB80	80.00	50.00	20.00	24.00	18.50	44.5	46.1	40.0	5.0/4.0	79.0/17953	92.5	6.81
HP100	100.00	45.00	22.00	16.00	12.00	46.0	47.5	35.0	5.00	75.0/17044	90.0	6.20
HP100F1	100.00	45.00	22.00	18.00	12.00	47.2	48.5	35.0	5.00	75.0/17044	90.0	6.15
HP101.6F1	101.60	47.60	19.00	19.00	13.20	46.2	48.0	40.0	5.0/4.0	53.0/12045	58.2	6.09
HP101.6F2	101.60	66.70	25.40	26.90	20.10	59.2	60.7	51.0	7.1/5.1	150.0/34088	160.0	14.23
HP152	152.40	66.70	25.40	26.90	19.56	57.2	59.5	50.8	7.1/5.1	94.0/21362	107.8	9.90
HP152.4F1	152.40	47.60	19.00	19.00	13.20	46.2	48.0	40.0	5.0/4.0	54.0/12270	59.5	5.00



Vision Chain No.	节距 Pitch	滚子直径 Roller diameter	内节内宽 Width between inner plates	销轴直径 Pin diameter		销轴长度 Pin length		链板高度 Plate depth	链板厚度 Plate thickness	极限拉伸载荷 Ultimate tensile strength	平均拉伸载荷 Average tensile strength	每米长重 Weight per meter
	P	d1 max	b1 min	d2 max	d3 min	L max	Lc max	h2 max	T	Q min	Q0	q
	mm	mm	mm	mm	mm	mm	mm	mm	mm	kN/LB	kN	kg/m
HB50.8F1	50.80	38.10	15.70	15.50	10.3	35.2	36.7	27.2	4.00	55.46/51650	58.8	4.97

输送链 Conveyor chains

空心销轴链 Hollow pin chains

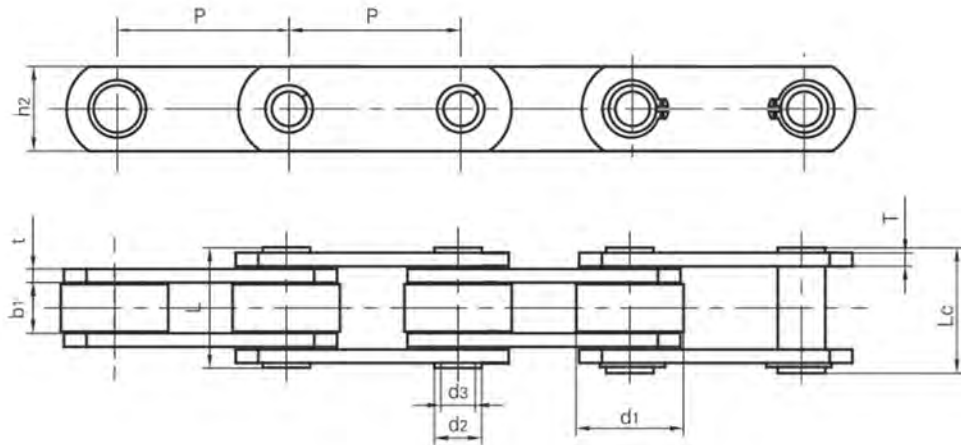

 A型
Type A

 B型
Type B


Vision Chain No.	节距	滚子直径	外节内宽	销轴直径		销轴长度		内链板高度	链板厚度	极限拉伸载荷	平均拉伸载荷	每米长重	型号 Type
	Pitch	Roller diameter	Width between outer plates	Pin diameter		Pin length		Inner plate depth	Plate thickness	Ultimate tensile strength	Average tensile strength	Weight per meter	
	P	d1 max	b1 min	d2 max	d3 min	L max	Lc max	h2 max	t/T max	Q min	Q0	q	
	mm	mm	mm	mm	mm	mm	mm	mm	mm	kN/LB	kN	kg/m	
08BHPF2	12.700	8.51	13.20	6.65	5.20	18.0	19.2	11.8	1.6/1.3	10.00/2273	11.4	0.50	A
08BHPF3	12.700	8.51	13.40	6.65	4.00	19.0	20.2	11.8	1.70	14.00/3182	16.8	0.69	A
HB12.7	12.700	8.51	13.40	6.65	4.10	19.0	20.2	11.8	1.70	14.00/3182	16.8	0.69	A
10BHPF1	15.875	10.16	13.41	7.03	5.00	19.2	20.2	14.0	1.85	17.00/3864	20.6	0.83	A
10BHPF2	15.875	10.16	10.40	7.03	5.00	17.0	18.0	14.0	1.85	15.00/3409	17.3	0.74	A
12BHPF1	19.050	12.07	16.00	8.03	5.40	22.7	23.9	15.8	1.85	25.00/5682	28.8	1.09	A
16BHPF1	25.400	15.88	25.58	11.50	8.10	36.5	37.6	21.0	4.15/3.1	45.00/10227	52.2	2.21	A
50HPF1	15.875	10.16	13.60	7.03	5.13	20.7	21.9	14.4	2.03	18.00/4091	21.6	0.92	A
60HPF2	19.050	11.91	11.23	5.63	4.05	16.5	17.6	10.4	1.50	10.00/2273	10.8	0.62	A
60HPF3	19.050	11.91	17.20	8.40	6.10	24.7	26.0	18.0	2.03	20.00/4546	24.0	1.54	A
63HP	63.000	40.00	23.50	16.00	12.00	35.3	38.3	28.6	4.00	65.00/14773	71.5	4.14	B
63HPF2	63.000	40.00	25.80	14.00	8.08	39.1	41.1	20.0	5.00	50.00/11364	65.7	4.17	B
63HPF4	63.000	40.00	23.50	16.00	12.30	34.7	37.7	28.6	4.00	44.00/10000	57.2	4.13	B
63HPF6	63.000	40.00	28.94	16.00	10.30	41.8	43.4	28.6	4.00	44.00/10000	57.2	5.18	B
C2122HPF1	76.200	47.60	29.00	17.81	12.70	43.3	44.7	38.1	4.80	53.34/12123	59.2	7.05	B

输送链 Conveyor chains

非标空心销轴输送链

Non-standard hollow pin conveyor chains

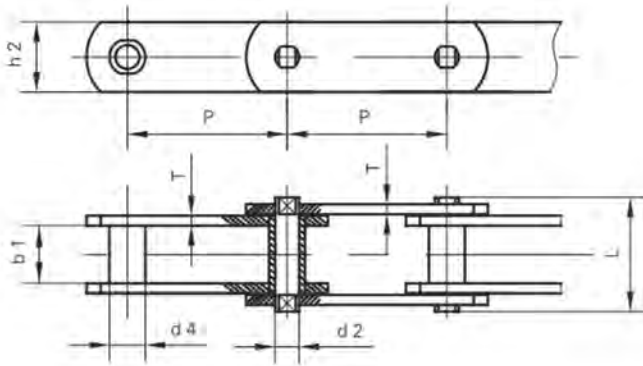


Vision Chain No.	节距	滚子直径	内节内宽	销轴直径		销轴长度		链板高度	链板厚度	极限拉伸载荷	平均拉伸载荷	每米长重
	Pitch	Roller diameter	Width between inner plates	Pin diameter		Pin length		Inner plate depth	Plate thickness	Ultimate tensile strength	Average tensile strength	Weight per meter
	P	d ₁ max	b ₁ min	d ₂ max	d ₃ min	L max	L _c max	h ₂ max	t/T max	Q min	Q ₀	q
	mm	mm	mm	mm	mm	mm	mm	mm	mm	KN/LB	kN	kg/m
MC56F1-S-80	80.00	30.00	24.00	16.00	10.20	45.5	47.0	35.0	4.0	56.0/12600	62.0	4.64
MC56F2-P-100	100.00	50.00	23.00	16.00	10.20	45.5	47.0	35.0	4.0	56.0/12600	62.0	6.27
MC112F1-P-100	100.00	70.00	32.00	22.00	16.30	67.0	68.5	50.0	6.0	112.0/25195	123.2	14.91
MC150F2-P-110	110.00	66.70	25.40	26.90	20.20	58.0	60.5	51.0	7.1/5.1	106.7/24003	118.0	13.50
FVC63F1-B-40	40.00	18.00	22.00	12.00	8.20	47.5	49.0	35.0	5.0	46.0/10348	51.0	5.34
FVC63F2-B-50	50.00	17.00	22.00	12.00	8.20	41.0	42.0	25.0	3.0	30.0/6750	33.0	2.24
FVC63F3-P-63	63.00	40.00	22.00	11.70	8.10	44.0	46.0	30.0	4.0	46.0/10348	51.0	5.83
FVC90F1-P-63	63.00	42.00	25.00	14.00	10.20	52.0	53.5	35.0	5.0	73.0/16422	80.0	5.33
FVC140F1-B-80	80.00	26.00	35.00	18.00	12.50	65.0	67.0	46.0	6.0	110.0/24745	120.0	7.80

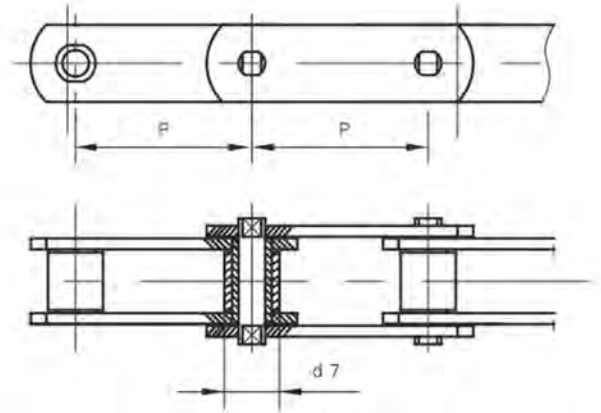
输送链 Conveyor chains

M系列输送链 Conveyor chains (M series)

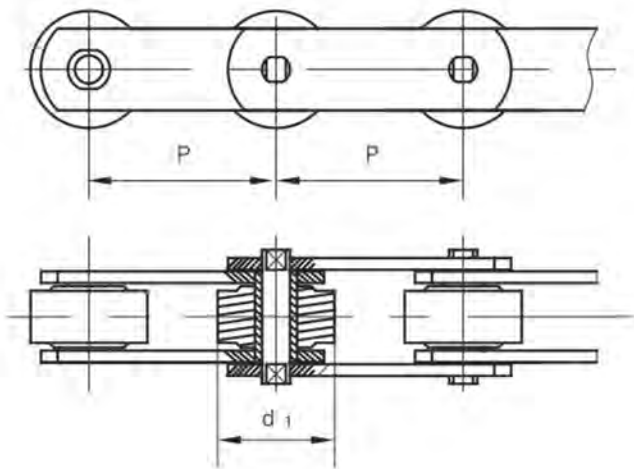
无滚子
without rollers



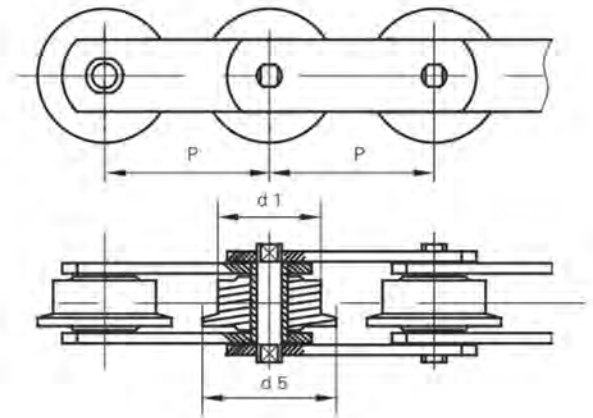
带S型小滚子
with S small rollers type



带P型大滚子
with P large rollers type



带F型带边滚子
with F flanged rollers type



输送链 Conveyor chains

M系列输送链 Conveyor chains (M series)

ISO 链号 ISO Chain No.	节距 Pitch								滚子直径 Roller diameter			套筒直径 Bush diameter
	P								d1 max	d7 max	d5 max	d4 max
	mm								mm	mm	mm	mm
M20	*40.0	50.0	63.0	80.0	100.0	125.0	160.0		25.0	12.50	32.00	9.0
M28	*50.0	63.0	80.0	100.0	125.0	160.0	200.0		30.0	15.00	36.00	10.0
M40	63.0	80.0	100.0	125.0	160.0	200.0	250.0		36.0	18.00	42.00	12.5
M56	*63.0	80.0	100.0	125.0	160.0	200.0	250.0		42.0	21.00	50.00	15.0
M80	80.0	100.0	125.0	160.0	200.0	250.0	315.0		50.0	25.00	60.00	18.0
M112	*80.0	100.0	125.0	160.0	200.0	250.0	315.0	400.0	60.0	30.00	70.00	21.0
M160	*100.0	125.0	160.0	200.0	250.0	315.0	400.0	500.0	70.0	36.00	85.00	25.0
M224	*125.0	160.0	200.0	250.0	315.0	400.0	500.0	630.0	85.0	42.00	100.00	30.0
M315	*160.0	200.0	250.0	315.0	400.0	500.0	630.0		100.0	50.00	120.00	36.0
M450	200.0	250.0	315.0	400.0	500.0	630.0	800.0		120.0	60.00	140.00	42.0

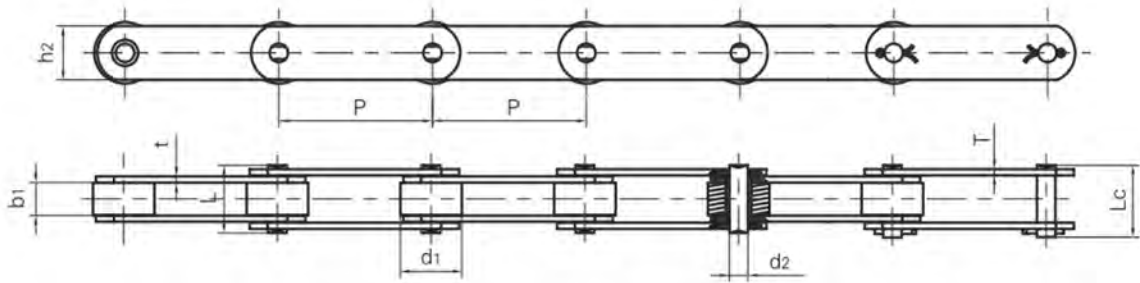
ISO 链号 ISO Chain No.	内节内宽 Width between inner plates	销轴直径 Pin diameter	销轴长度 Pin length	链板高度 Plate depth	链板厚度 Plate thickness	极限拉伸载荷 Ultimate tensile strength	平均拉伸载荷 Average tensile strength
	b1 min	d2 max	L max	h2 max	T max	Q min	Q0
	mm	mm	mm	mm	mm	kN/LB	kN
M20	16.0	6.0	35.0	19.0	2.5	20.0/4545	25.0
M28	18.0	7.0	40.0	21.0	3.0	28.0/6364	35.0
M40	20.0	8.5	45.0	26.0	3.5	40.0/9091	50.0
M56	24.0	10.0	52.0	31.0	4.0	56.0/12727	70.0
M80	28.0	12.0	62.0	36.0	5.0	80.0/18182	100.0
M112	32.0	15.0	73.0	41.0	6.0	112.0/25454	140.0
M160	37.0	18.0	85.0	51.0	7.0	160.0/36364	200.0
M224	43.0	21.0	98.0	62.0	8.0	224.0/50909	280.0
M315	48.0	25.0	112.0	72.0	10.0	315.0/71591	393.7
M450	56.0	30.0	135.0	82.0	12.0	450.0/102272	562.5

*链条仅有套筒和小滚子。

*Chain has bush and small roller only

输送链 Conveyor chains

M系列输送链 Conveyor chains (M series)



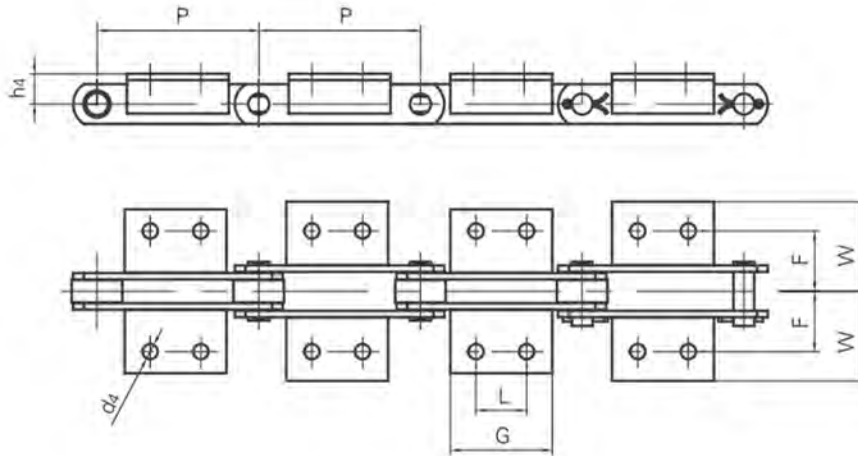
Vision Chain No.	节距	滚子直径	内节内宽	销轴直径	销轴长度		链板高度	链板厚度	极限拉伸载荷	平均拉伸载荷	每米长重
	Pitch	Roller diameter	Width between inner plates	Pin diameter	L max	Lc max	Inner plate depth	Plate thickness	Ultimate tensile strength	Average tensile strength	Weight per meter
	P	d1 max	b1 min	d2 max	mm	mm	h2 max	t/T max	Q min	Q0	q
	mm	mm	mm	mm	mm	mm	mm	mm	kN/LB	kN	kg/m
M18F1-P-50	50.00	25.00	11.50	5.72	26.0	28.2	18.0	2.5	18.0/4050	20.0	1.81
M22-P-50	50.00	25.00	11.50	8.00	28.0	30.9	20.0	3.0	22.0/4950	24.2	2.64
M22F1-P-50	50.00	25.00	12.00	10.00	29.4	32.6	20.0	3.0	22.0/4950	24.2	2.30
M35F2-S-35	35.00	14.00	14.00	7.00	31.0	34.0	18.0	3.5/2.5	35.0/7874	39.0	1.82
M35F2-P-35	35.00	22.00	14.00	7.00	31.0	34.0	18.0	3.5/2.5	35.0/7874	39.0	2.47
*M35F3-B-35	35.00	14.00	14.00	6.00	30.2	33.0	18.0	3.0	35.0/7874	39.0	1.73
M35F4-C-69	69.00	25.00	12.00	7.00	27.5	30.0	19.0	2.5	35.0/7874	39.0	1.60
M35F5-P-50.8	50.80	25.00	16.00	7.00	33.0	36.0	20.0	3.0	35.0/7874	39.0	2.48
M40-PF1-100	100.00	36.00	20.00	8.50	40.5	44.5	25.0	3.5	40.0/9000	44.0	3.28
M40F4-P-50	50.00	31.75	15.00	10.00	36.6	39.0	25.0	4.0	40.0/9000	44.0	4.00
M40F5-S-65	65.00	24.00	15.00	10.00	36.6	39.0	30.0	4.0	40.0/9000	44.0	4.86
M40F6-P-80	80.00	36.00	20.00	8.50	41.0	44.2	25.0	4.0	40.0/9000	44.0	3.68
M56F14-S-63	63.00	21.00	24.00	10.00	46.0	49.5	30.0	4.0	56.0/12600	61.6	3.81
M56F14-S-80	80.00	21.00	24.00	10.00	46.0	49.5	30.0	4.0	56.0/12600	61.6	3.27
M56F14-P-100	100.00	42.00	24.00	10.00	46.0	49.5	30.0	4.0	56.0/12600	61.6	5.00
M75-P-75	75.00	40.00	22.00	12.00	44.0	47.0	35.0	4.0	75.0/16870	75.0	5.88
M80F3-P-125	125.00	50.00	28.00	11.00	55.0	58.5	35.0	5.0	80.0/18000	88.0	6.72
M80F4-A-100	100.00	25.00	28.00	12.00	55.0	58.5	35.0	5.0	80.0/18000	88.0	4.63
M80F6-P-75	75.00	35.00	14.00	12.00	40.5	45.0	30.0	5.0	80.0/18000	88.0	4.80
*M80F8-B-100	100.00	18.00	28.00	12.00	55.0	58.5	35.0	5.0	80.0/18000	88.0	4.14
*M80F8-B-80	80.00	18.00	28.00	12.00	55.0	58.5	35.0	5.0	80.0/18000	88.0	4.48
M100-P-80	80.00	47.50	31.40	15.90	71.2	76.0	40.0	8.0	100.0/22727	110.0	12.36
M112F2-P-125	125.00	55.00	50.00	16.00	87.1	91.6	40.0	7.2	112.0/25200	123.2	13.35
M112F8-S-100	100.00	30.0	31.00	15.00	63.5	68.0	40.0	6.0	112.0/25200	123.2	7.14
M160F1-P-100	100.00	36.00	36.00	18.00	76.0	80.0	40.0	7.0	160.0/36364	176.0	9.42
M224F3-P-160	160.00	80.00	30.00	21.00	81.0		60.0	8.0	224.0/50909	246.0	17.34
*M315F6-B-160	160.00	42.00	80.00	25.00	140.0	140.0	80.0	12.0	315.0/70862	346.5	27.30

*套筒链:表中滚子直径d1为套筒直径

*Bushing chain: d1 in the table indicate the external diameter of the bushing.

输送链 Conveyor chains

M系列带附板输送链 Conveyor chain with attachments (M series)



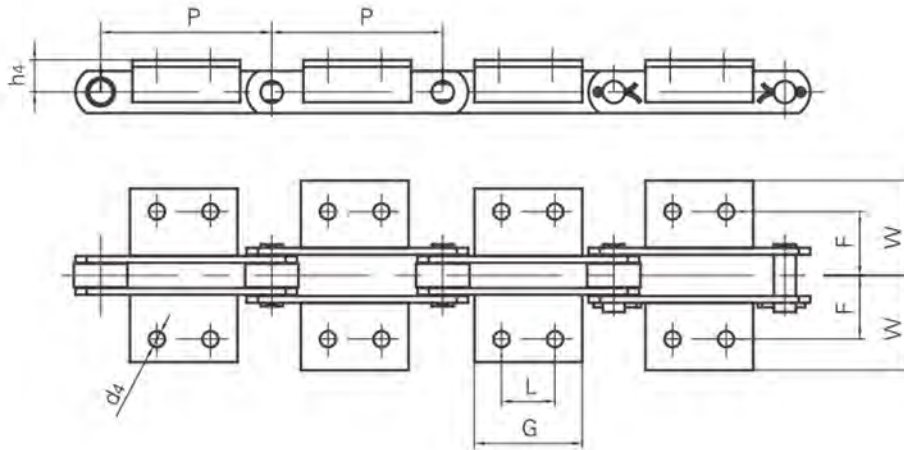
ISO 链号 ISO Chain No.	P	L	G	d ₄	F	W	h ₄
	mm	mm	mm	mm	mm	mm	mm
M20	40.0	△	14.0	6.6	27.0	40.0	16.0
	50.0	△	14.0				
	63.0	20.0	35.0				
	80.0	35.0	50.0				
M28	50.0	△	20.0	9.0	32.0	47.0	20.0
	63.0	△	20.0				
	80.0	25.0	45.0				
M40	100.0	40.0	60.0	9.0	35.0	50.0	25.0
	63.0	△	31.0				
	80.0	20.0	45.0				
	125.0	65.0	85.0				
M56	63.0	△	22.0	11.0	44.0	61.0	30.0
	80.0	△	30.0				
	100.0	25.0	50.0				
	125.0	50.0	75.0				
M80	160.0	85.0	110.0	11.0	48.0	65.0	35.0
	80.0	△	30.0				
	100.0	25.0	50.0				
	125.0	50.0	75.0				
	160.0	85.0	110.0				
	200.0	125.0	150.0				

△附板带一个孔
△Attachments with 1 hole

输送链 Conveyor chains

M系列带附板输送链

Conveyor chain with attachments (M series)



ISO 链号 ISO Chain No.	P	L	G	d ₄	F	W	h ₄
	mm	mm	mm	mm	mm	mm	mm
M112	80.0	△	28.0	14.0	55.0	80.0	40.0
	100.0	△	40.0				
	125.0	35.0	65.0				
	160.0	65.0	95.0				
	200.0	100.0	130.0				
M160	100.0	△	30.0	14.0	62.0	85.0	45.0
	125.0	25.0	50.0				
	160.0	50.0	80.0				
	200.0	85.0	115.0				
	250.0	145.0	175.0				
M224	125.0	△	35.0	18.0	70.0	110.0	55.0
	160.0	△	60.0				
	200.0	65.0	100.0				
	250.0	125.0	160.0				
M315	160.0	△	35.0	18.0	80.0	115.0	65.0
	200.0	50.0	85.0				
	250.0	100.0	140.0				
	315.0	155.0	190.0				
	400.0	155.0	205.0				

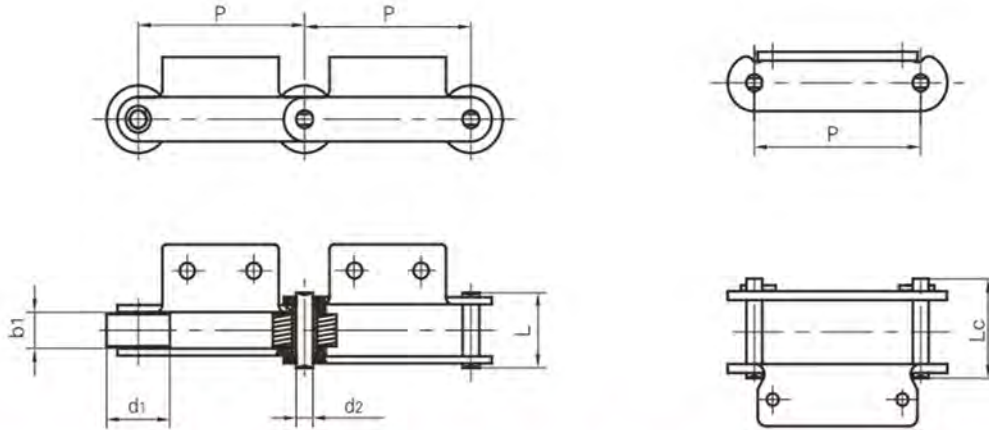
△附板带一个孔

△Attachments with 1 hole

输送链 Conveyor chains

M系列带附板输送链

Conveyor chain with attachments (M series)



Vision Chain No.	节距	滚子直径	内节内宽	销轴直径	销轴长度		极限拉伸载荷	平均拉伸载荷	每米长重
	P	Roller diameter	Width between inner plates	Pin diameter	L max	Lc max	Ultimate tensile strength	Average tensile strength	Weight per meter
	mm	d1 max	b1 min	d2 max	mm	mm	Q min	Q0	q
	mm	mm	mm	mm	mm	mm	kN/LB	kN	kg/m
M18F1A1-P-50	50.00	25.00	11.50	5.72	26.0	28.2	18.0/4050	20.0	2.46
M18F2A1.02-P-50	50.00	25.00	11.50	5.72	28.0	30.2	18.0/4050	20.0	2.18
M18F4A1.02-S-50	50.00	15.00	12.00	6.00	24.0	26.5	18.0/4050	20.0	1.20
M28F1A2-P-80	80.00	29.40	18.00	7.00	35.4	38.7	28.0/6300	31.0	2.60
M28F3A2-P-63	63.00	30.00	17.00	7.00	37.3	40.3	35.0/7874	39.0	3.48
M28F3A2-F-100	100.00	30.00	17.00	7.00	37.3	40.3	35.0/7874	39.0	3.46
M32A1.02-P-50	50.00	31.00	15.00	10.00	33.0	35.5	32.0/7200	35.2	4.09
M32A1F1-P-50	50.00	31.00	15.00	10.00	33.0	35.5	32.0/7200	35.2	3.96
M35F4A1.01-C-69	69.00	25.00	12.00	7.00	27.5	30.0	35.0/7874	39.0	2.26
M40FA1.02-P-50	50.00	31.00	15.00	10.00	36.6	39.0	75.0/16872	82.5	4.52
M40FK2F1-P-50	50.00	31.00	15.00	10.00	36.6	39.0	40.0/9000	44.0	4.94
M40F10-F-76.2	76.20	31.50	15.00	14.00	38.0	42.0	40.0/9000	44.0	4.16
M80K1F1-P-100	100.00	50.00	28.00	12.00	55.0	58.5	80.0/18000	88.0	9.10
*M80K2F1-B-100	100.00	18.00	28.00	12.00	55.0	58.5	80.0/18000	88.0	5.94
*M80F5K1-B-100	100.00	18.00	28.00	12.00	55.0	58.5	80.0/18000	88.0	5.45
M112K2F1-S-125	125.00	30.00	32.00	16.00	64.5	69.0	112.0/25200	123.2	7.35
M112F3-F-200	200.00	60.00	37.00	16.00	69.0	74.0	112.0/25200	123.2	11.00
M112F5K2-P-100	100.00	36.00	37.00	16.00	69.0	74.0	112.0/25200	123.2	8.28
M160F1K2-P-100	100.00	36.00	36.00	18.00	76.0	80.0	160.0/35993	176.0	10.80
*M160F2-B-100	100.00	25.00	37.00	18.00	73.3	83.0	222.0/49940	244.2	11.36
M160F3K1F1-P-101.6	101.60	66.70	26.00	26.90	58.0	78.5	156.0/35093	171.6	17.37
M160F12K2-S-100	100.00	36.00	38.00	14.00	76.0		100.0/22496	110.0	9.33
M224F6A2-P-160	160.00	85.00	42.00	21.00	87.5	92.5	224.0/51982	246.5	27.56

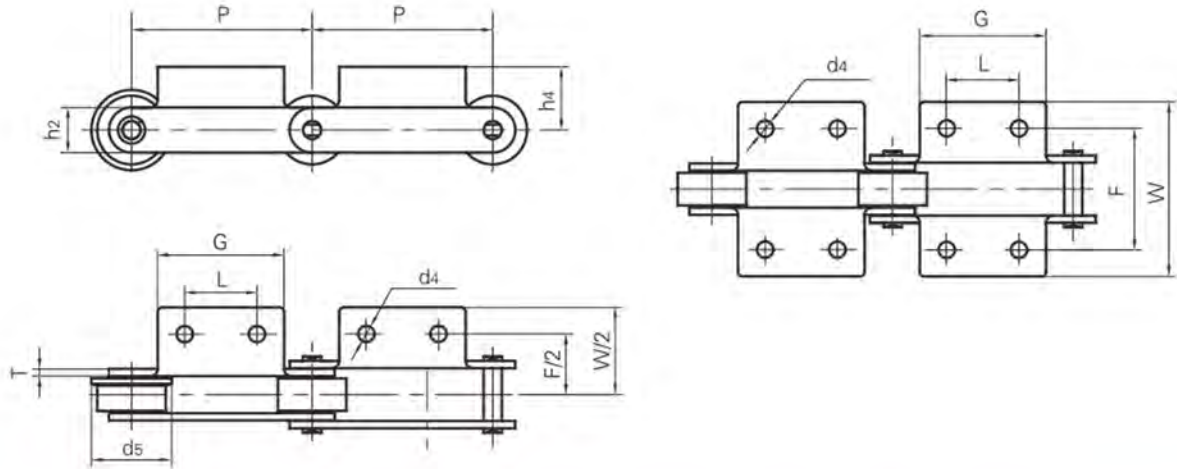
*套筒链:表中滚子直径d1为套筒直径

*Bushing chain: d1 in the table indicate the external diameter of the bushing.

输送链 Conveyor chains

M系列带附板输送链

Conveyor chain with attachments (M series)



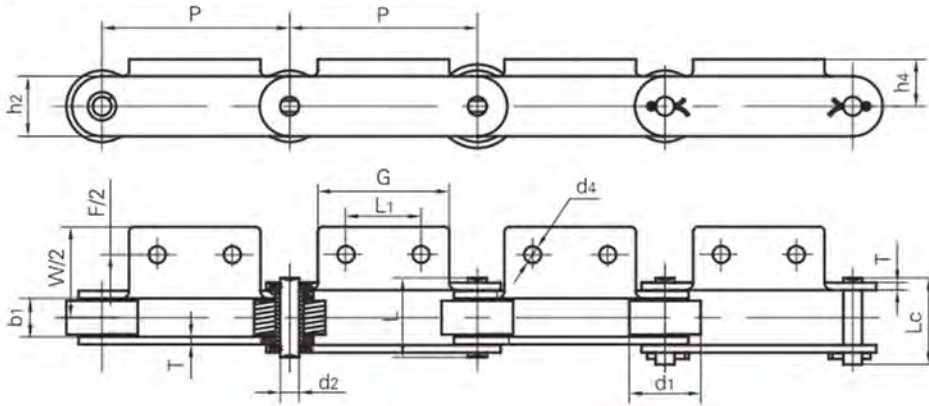
Vision Chain No.	P	L	G	F	W	h ₄	h ₂	d ₄	T	d ₅
	mm	mm	mm	mm	mm	mm	mm	mm	mm	mm
M18F1A1-P-50	50.00	△	46.0	44.0	72.0	24.0	18.0	6.5	2.50	
M18F2A1.02-P-50	50.00	△	41.0	48.0	68.0	25.0	15.0	6.5	3.00	
M18F4A1.02-S-50	50.00	△	30.0	50.0	83.0	20.0	15.0	8.0	2.03	
M28F1A2-P-80	80.00	25.00	45.8	66.0	91.6	11.8	20.5	8.8	3.25	
M28F3A2-P-63	63.00	20.00	50.0	64.0	92.0	20.0	20.0	9.0	4.00	
M28F3A2-F-100	100.00	40.00	76.0	64.0	100.0	20.0	20.0	9.0	4.00	40.0
M32A1.02-P-50	50.00	△	60.0	62.0	97.0	35.0	23.0	10.0	3.00	
M32A1F1-P-50	50.00	△	30.0	62.0	92.0	28.0	23.0	10.0	3.00	
M35F4A1.01-C-69	69.00	△	60.0	50.0	74.0	25.5	19.0	7.0	2.50	
M40FA1.02-P-50	50.00	△	60.0	70.0	98.0	17.5	25.0	10.0	4.00	
M40F.K2F1-P-50	50.00	30.00	60.0	67.5	100.0	17.0	25.0	9.0	4.00	
M40F10-F-76.2	76.20	22.20	38.3	76.2	106.5	19.0	26.0	9.4	4.00	40.0
M80K1F1-P-100	100.00	△	30.0	96.0	138.0	35.0	35.0	11.0	5.00	
M112K2F1-S-125	125.00	80.00	110.0	85.8	115.8	35.0	40.0	13.0	6.00	
M112F3-F-200	200.00	90.00	20.0	102.0	137.5	40.0	45.0	11.0	6.00	75.0
M112F5K2-P-100	100.00	35.00	65.0	98.5	140.0	40.0	40.0	14.0	6.00	
M160F1K2-P-100	100.00	40.00	80.0	124.0	183.0	35.0	40.0	14.0	7.00	
*M160F2-B-100	100.00	△	110.0	125.0	155.0	45.0	50.0	17.0	7.00	
M160F3K1F1-P-101.6	101.60	△	56.0	175.0	204.0	38.0	51.0	11.0	7.10/5.10	
M160F12K2-S-100	100.00	30.00	70.0	100.0	120.0	35.0	40.0	13.0	5.60	

△附板带一个孔

△Attachments with 1 hole

输送链 Conveyor chains

M系列带附板输送链 Conveyor chain with attachments (M series)



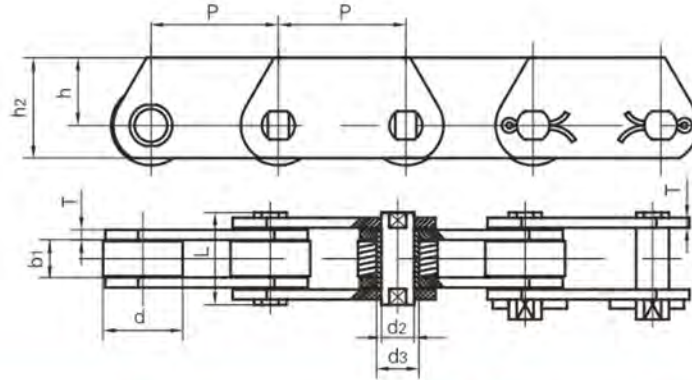
Vision Chain No.	节距 Pitch	滚子直径 Roller diameter	内节内宽 Width between inner plates	销轴直径 Pin diameter	销轴长度 Pin length		极限拉伸载荷 Ultimate tensile strength	平均拉伸载荷 Average tensile strength	每米长重 Weight per meter
	P	d1 max	b1 min	d2 max	L max	Lc max	Q min	Q0	q
	mm	mm	mm	mm	mm	mm	kN/LB	kN	kg/m
M40F1-P-125	125.0	36.0	38.0	14.27	75.6		40.0/9091	44.0	10.18
M56F1-P-100	100.0	38.0	20.5	10.00	42.3	46.1	56.0/12727	61.0	4.63
M56F2-P-100	100.0	42.0	22.5	10.00	44.6	48.5	56.0/12727	61.0	5.67
M56F3-P-100	100.0	38.0	20.5	10.00	42.3	46.1	56.0/12727	61.0	4.72
M56F8-P-100	100.0	38.0	17.0	10.00	38.8	42.6	56.0/12727	61.0	3.79
M56A2-P-125	125.0	42.0	24.0	10.00	46.0	49.5	56.0/12727	61.0	5.24
M75-P100	100.0	38.0	18.9	9.53	40.4	44.7	75.0/17045	83.0	4.85
M75-P100F1	100.0	38.0	18.9	9.53	38.4	42.7	75.0/17045	83.0	4.01
M75-P100F3	100.0	28.5	23.9	11.10	46.3	50.3	75.0/17045	83.0	4.53
M75F4-P-100	100.0	38.0	18.9	9.53	40.4	44.7	75.0/17045	83.0	4.62

Vision Chain No.	P	L1	G	F	W	h4	h2	d4	T
	mm	mm	mm	mm	mm	mm	mm	mm	mm
M40F1-P-125	125.0	50.0	90.0	100.0	140.0	36.0	50.0	13.0	6.0
M56F1-P-100	100.0	40.0	70.0	67.5	96.6	35.0	25.0	9.0	4.0
M56F2-P-100	100.0	29.7	50.0	124.0	148.0	21.5	32.0	7.0	4.0
M56F3-P-100	100.0	50.0	70.0	71.0	101.0	35.0	25.0	9.0	4.0
M56F8-P-100	100.0	△	70.0	63.8	95.0	25.0	25.0	8.2	4.0
M56A2-P-125	125.0	50.0	75.0	88.0	128.0	30.0	30.0	11.0	4.0
M75-P100	100.0	40.0	70.0	64.0	112.0	24.9	26.0	9.0	4.0
M75-P100F1	100.0	40.0	70.0	64.0	112.0	24.4	26.0	9.0	3.5
M75-P100F3	100.0	50.0	70.0	75.7	96.7	35.0	26.0	9.7	4.0
M75F4-P-100	100.0	40.0	70.0	90.0	112.4	24.9	26.0	8.5	4.0

△附板带一个孔
 △Attachments with 1 hole

输送链 Conveyor chains

MT系列输送链 Conveyor chains (MT series)



DIN 链号 DIN Chain No.	节距 Pitch					滚子直径 Roller diameter	销轴直径 Pin diameter	套筒直径 Bush diameter	链板厚度 Plate thickness
	P					d1 max	d2 max	d3 max	T max
	mm					mm	mm	mm	mm
MT20	40.0	50.0	63.0	80.0	100.0	25.0	6.0	9.0	2.5
MT28	50.0	63.0	80.0	100.0	125.0	30.0	7.0	10.0	3.0
MT40	63.0	80.0	100.0	125.0	160.0	36.0	8.5	12.5	3.5
MT56	63.0	80.0	100.0	125.0	160.0	42.0	10.0	15.0	4.0
MT80	80.0	100.0	125.0	160.0	200.0	50.0	12.0	18.0	5.0
MT112	80.0	100.0	125.0	160.0	200.0	60.0	15.0	21.0	6.0
MT160	100.0	125.0	160.0	200.0	250.0	70.0	18.0	25.0	7.0
MT224	125.0	160.0	200.0	250.0	315.0	85.0	21.0	30.0	8.0
MT315	160.0	200.0	250.0	315.0	400.0	100.0	25.0	36.0	10.0
MT450	200.0	250.0	315.0	400.0	500.0	120.0	30.0	42.0	12.0

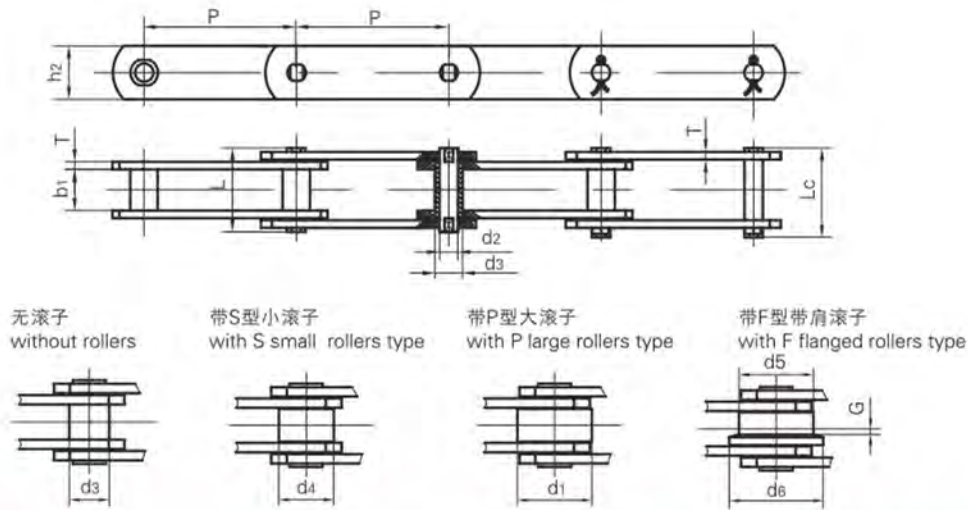
DIN 链号 DIN Chain No.	内节内宽 Width between inner plates	销轴长度 Pin length	链板高度 Plate depth		极限拉伸载荷 Ultimate tensile strength	
	b1 min	L max	h2 max	h max	Q min	*Q min
	mm	mm	mm	mm	kN/LB	kN/LB
MT20	16.0	35.0	25.0	16.0	20.0/4545	32.0/7270
MT28	18.0	40.0	30.0	20.0	28.0/6364	42.0/9545
MT40	20.0	45.0	35.0	22.5	40.0/9091	60.0/13635
MT56	24.0	52.0	45.0	30.0	56.0/12727	85.0/19318
MT80	28.0	62.0	50.0	32.5	80.0/18182	125.0/28408
MT112	32.0	73.0	60.0	40.0	112.0/25454	175.0/39768
MT160	37.0	85.0	70.0	45.0	160.0/36364	260.0/59090
MT224	43.0	98.0	90.0	60.0	224.0/50909	340.0/77272
MT315	48.0	112.0	100.0	65.0	315.0/71591	520.0/118180
MT450	56.0	135.0	120.0	80.0	450.0/102272	700.0/159089

*Q表示链板要热处理

*Q Higher breaking load with hardened plates

输送链 Conveyor chains

FV系列输送链 Conveyor chains (FV series)



DIN 链号 DIN Chain No.	节距 Pitch							滚子尺寸 Roller dimension					套筒直径 Bush diameter
	P							d1 max	d4 max	d5 max	d6 max	G	d3 max
	mm	mm	mm	mm	mm	mm	mm	mm	mm	mm	mm	mm	
FV40	50.0	63.0	80.0	100.0	125.0			32.0	20.0	40.0	50.0	4.0	15.0
FV63	63.0	80.0	100.0	125.0	160.0			40.0	26.0	50.0	63.0	5.0	18.0
FV90	63.0	80.0	100.0	125.0	160.0	200.0	250.0	48.0	30.0	63.0	78.0	6.5	20.0
FV112	100.0	125.0	160.0	200.0	250.0			55.0	32.0	72.0	90.0	7.5	22.0
FV140	100.0	125.0	160.0	200.0	250.0			60.0	36.0	80.0	100.0	9.0	26.0
FV180	125.0	160.0	200.0	250.0	315.0			70.0	42.0	100.0	125.0	13.0	30.0
FV250	160.0	200.0	250.0	315.0	400.0			80.0	50.0	125.0	155.0	15.0	36.0
FV315	160.0	200.0	250.0	315.0	400.0			90.0	60.0	140.0	175.0	18.0	42.0

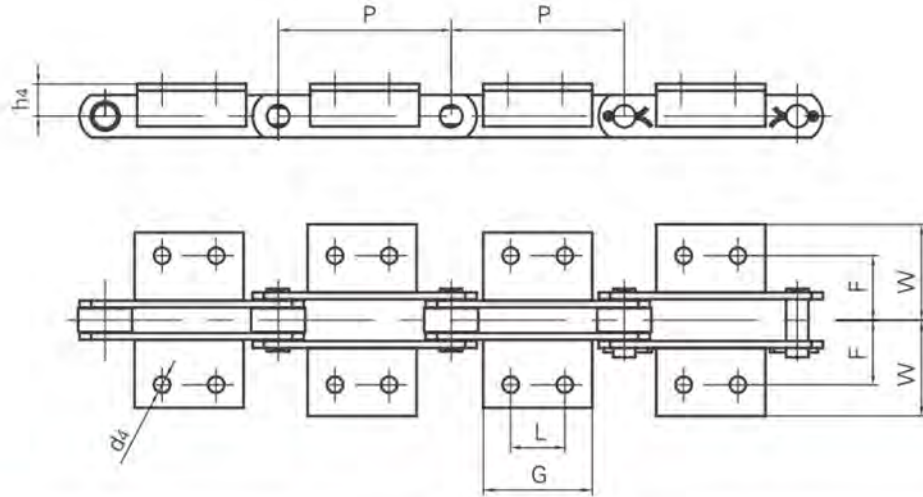
DIN 链号 DIN Chain No.	内节内宽 Width between inner plates	销轴直径 pin diameter	销轴长度 Pin length		链板高度 Plate depth	链板厚度 Plate thickness	极限拉伸载荷 Ultimate tensile strength	
	b1 min mm	d2 max mm	L min mm	Lc max mm	h2 max mm	T max mm	Q min kN/LB	*Q min kN/LB
FV40	18.0	10.0	36.0	39.0	25.0	3.0	40.0/9091	47.0/10681
FV63	22.0	12.0	45.0	48.5	30.0	4.0	63.0/14317	75.0/17045
FV90	25.0	14.0	53.0	56.5	35.0	5.0	90.0/20453	115.0/26136
FV112	30.0	16.0	62.0	66.0	40.0	6.0	112.0/25452	170.0/38636
FV140	35.0	18.0	67.0	71.5	45.0	6.0	140.0/31815	180.0/40908
FV180	45.0	20.0	86.0	92.0	50.0	8.0	180.0/40908	250.0/56817
FV250	55.0	26.0	97.0	103.5	60.0	8.0	250.0/56817	300.0/68181
FV315	65.0	30.0	113.0	126.5	70.0	10.0	315.0/71591	480.0/109089

*Q表示链板要热处理

*Q Higher breaking load with hardened plates

输送链 Conveyor chains

FV系列带附板输送链 Conveyor chain with attachments(FV series)

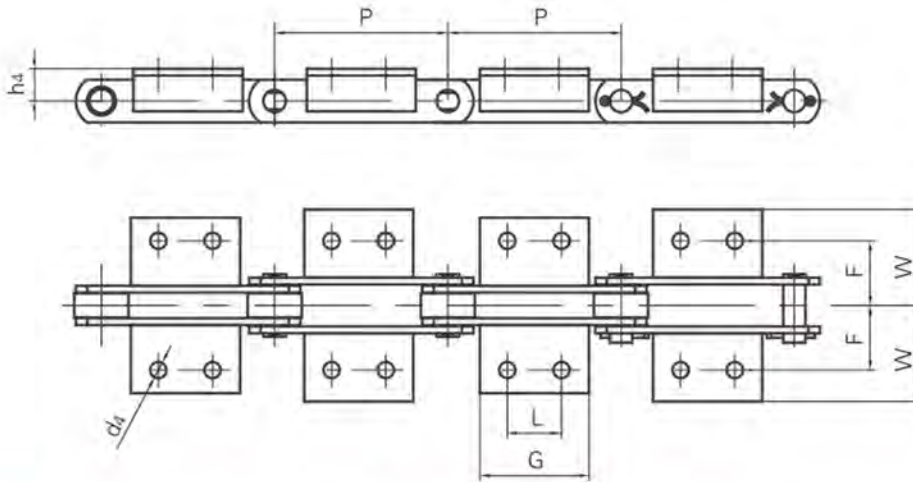


DIN 链号 DIN Chain No.	P	L	G	d4	F	W	h4
	mm	mm	mm	mm	mm	mm	mm
FV40	50.0	◇	45.0	6.5	25.0	40.5	20.0
	63.0	◇	31.0				
	80.0	25.0	45.0				
	100.0	30.0	50.0				
	125.0	30.0	60.0				
FV63	63.0	◇	40.0	8.4	34.0	50.0	30.0
	80.0	25.0	45.0				
	100.0	30.0	50.0				
	125.0	40.0	60.0				
	160.0	50.0	70.0				
FV90	63.0	◇	30.0	8.4	40.0	64.0	35.0
	80.0	25.0	45.0				
	100.0	30.0	50.0				
	125.0	40.0	60.0				
	160.0	50.0	70.0				
	200.0	60.0	80.0				
FV112	100.0	30.0	50.0	11.0	50.0	70.0	40.0
	125.0	40.0	65.0				
	160.0	50.0	75.0				
	200.0	65.0	90.0				
	250.0	80.0	105.0				

◇附板带一个孔
◇Attachments with 1 hole

输送链 Conveyor chains

FV系列带附板输送链 Conveyor chain with attachments(FV series)

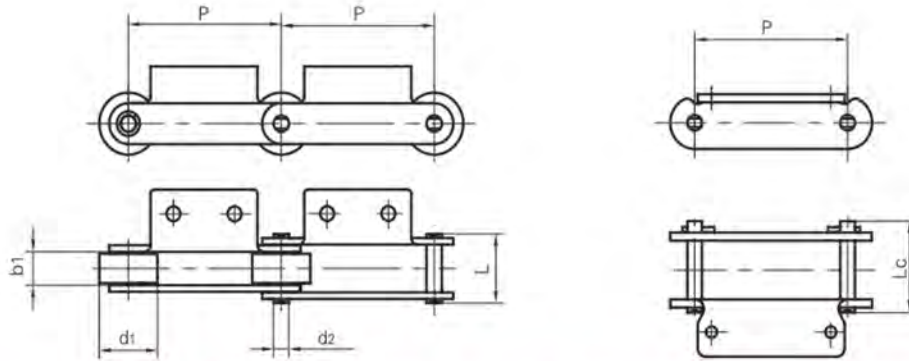


DIN 链号 DIN Chain No.	P	L	G	d ₄	F	W	h ₄
	mm	mm	mm	mm	mm	mm	mm
FV140	100.0	30.0	55.0	11.0	50.0	81.0	45.0
	125.0	40.0	65.0				
	160.0	50.0	75.0				
	200.0	65.0	90.0				
	250.0	80.0	105.0				
FV180	125.0	35.0	63.0	13.0	64.0	91.0	45.0
	160.0	50.0	80.0				
	200.0	65.0	95.0				
	250.0	80.0	110.0				
FV250	315.0	100.0	130.0	14.0	69.0	106.0	55.0
	160.0	50.0	80.0				
	200.0	65.0	95.0				
	250.0	80.0	110.0				
	315.0	100.0	130.0				
FV315	400.0	100.0	130.0	14.0	85.0	130.0	60.0
	160.0	△	50.0				
	200.0	65.0	95.0				
	250.0	80.0	110.0				
	315.0	100.0	130.0				

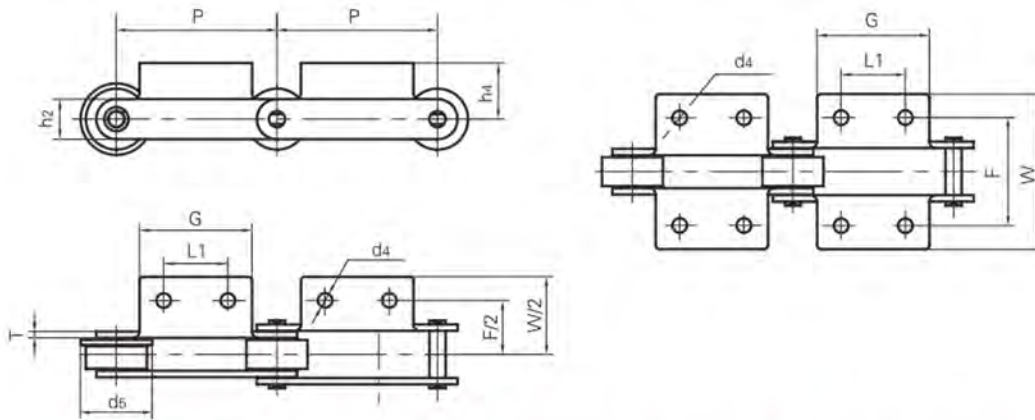
△附板带一个孔
△Attachments with 1 hole

输送链 Conveyor chains

FV系列带附板输送链 Conveyor chain with attachments(FV series)



Vision Chain No.	节距	滚子直径	内节内宽	销轴直径	销轴长度		极限拉伸载荷	平均拉伸载荷	每米长重
	Pitch	Roller diameter	Width between inner plates	Pin diameter	L max	Lc max	Ultimate tensile strength	Average tensile strength	Weight per meter
	P	d1 max	b1 min	d2 max	mm	mm	Q min	Q0	q
	mm	mm	mm	mm	mm	mm	kN/LB	kN	kg/m
FV90A2F1-P-85	85.00	50.00	25.00	14.00	52.0	56.5	90.0/20250	100.0	10.15
FV90A2F1-P-100	100.00	50.00	25.00	14.00	52.0	56.5	90.0/20250	100.0	8.74
FV112F1A1-P-100	100.00	55.00	30.00	16.00	71.0	76.5	180.0/40492	200.0	14.30
FV112F1A1-P-80	80.00	55.00	30.00	16.00	71.0	76.5	180.0/40492	200.0	16.60



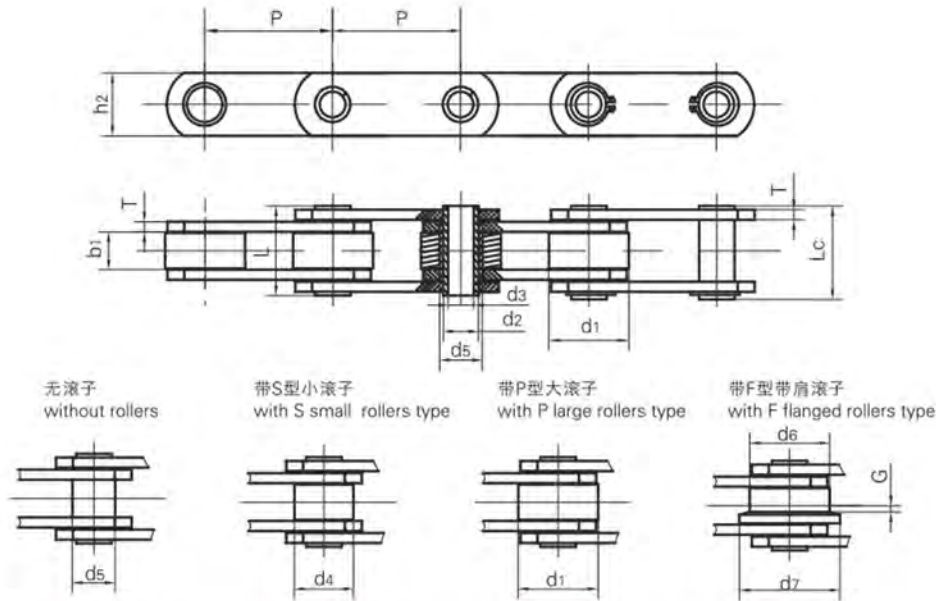
Vision Chain No.	P	L1	G	F	W	h4	h2	d4	T
	mm	mm	mm	mm	mm	mm	mm	mm	mm
FV90A2F1-P-85	85.00	40.00	60.00	80.0	109.2	40.0	35.0	9.5	5.00
FV90A2F1-P-100	100.00	40.00	60.00	80.0	109.2	40.0	35.0	9.5	5.00
FV112F1A1-P-100	100.00	△	50.00	120.0	164.0	50.0	40.0	15.0	8.00
FV112F1A1-P-80	80.00	△	50.00	120.0	164.0	50.0	40.0	15.0	8.00

△附板带一个孔

△Attachments with 1 hole

输送链 Conveyor chains

FVC系列空心销轴输送链 Hollow pin conveyor chains (FVC series)

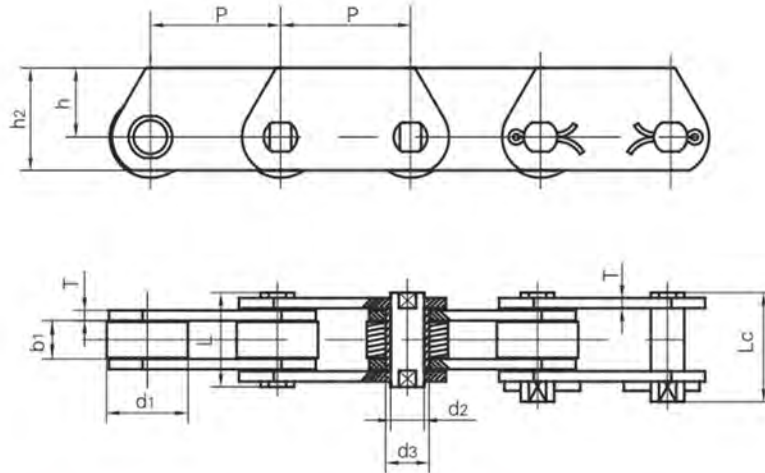


DIN 链号 DIN Chain No.	节距 Pitch							滚子尺寸 Roller dimension				
	P							d1 max	d4 max	d6 max	d7 max	G
	mm	mm	mm	mm	mm	mm	mm	mm	mm	mm	mm	
FVC63	63.0	80.0	100.0	125.0	160.0			40.0	26.0	50.0	63.0	5.0
FVC90	63.0	80.0	100.0	125.0	160.0	200.0	250.0	48.0	30.0	63.0	78.0	6.5
FVC112	100.0	125.0	160.0	200.0	250.0			55.0	32.0	72.0	90.0	7.5
FVC140	100.0	125.0	160.0	200.0	250.0			60.0	36.0	80.0	100.0	9.0
FVC180	125.0	160.0	200.0	250.0	315.0			70.0	42.0	100.0	125.0	13.0
FVC250	160.0	200.0	250.0	315.0	400.0			80.0	50.0	125.0	155.0	15.0
FVC315	160.0	200.0	250.0	315.0	400.0			90.0	60.0	140.0	175.0	18.0

DIN 链号 DIN Chain No.	内节内宽 Width between inner plates	销轴直径 Pin diameter		套筒直径 Bush diameter	销轴长度 Pin length		链板厚度 Plate thickness	链板高度 Plate depth	极限拉伸载荷 Ultimate tensile strength				
		d2 max	d3 min		d5 max	L max				Lc max	T max	h2 max	Q min
		mm	mm		mm	mm				mm	mm	mm	kN/LB
FVC63	22.0	12.0	8.0	18.0	45.0	50.5	4.0	30.0	46.0/10454				
FVC90	25.0	14.0	10.0	20.0	53.0	56.5	5.0	35.0	73.0/16590				
FVC112	30.0	16.0	11.0	22.0	62.0	63.0	6.0	40.0	90.0/20454				
FVC140	35.0	18.0	12.0	26.0	67.0	68.5	6.0	45.0	110.0/25000				
FVC180	45.0	20.0	14.0	30.0	86.0	88.0	8.0	50.0	145.0/32954				
FVC250	55.0	26.0	18.0	36.0	97.0	103.5	8.0	60.0	215.0/48863				
FVC315	65.0	30.0	20.0	42.0	117.0	121.5	10.0	70.0	295.0/67044				

输送链 Conveyor chains

FVT系列输送链 Conveyor chains (FVT series)



DIN 链号 DIN Chain No.	节距 Pitch							滚子直径 Roller diameter	销轴直径 Pin diameter	套筒直径 Bush diameter	链板厚度 Plate thickness
	P							d1	d2	d3	T
	mm							max mm	max mm	max mm	max mm
FVT40	50.0	63.0	80.0	100.0	125.0			32.0	10.0	15.0	3.0
FVT63	63.0	80.0	100.0	125.0	160.0			40.0	12.0	18.0	4.0
FVT90	63.0	80.0	100.0	125.0	160.0	200.0	250.0	48.0	14.0	20.0	5.0
FVT112	100.0	125.0	160.0	200.0	250.0			55.0	16.0	22.0	6.0
FVT140	100.0	125.0	160.0	200.0	250.0			60.0	18.0	25.0	6.0
FVT180	125.0	160.0	200.0	250.0	315.0			70.0	20.0	30.0	8.0
FVT250	160.0	200.0	250.0	315.0				80.0	26.0	36.0	8.0
FVT315	160.0	200.0	250.0	315.0	400.0			90.0	30.0	42.0	10.0

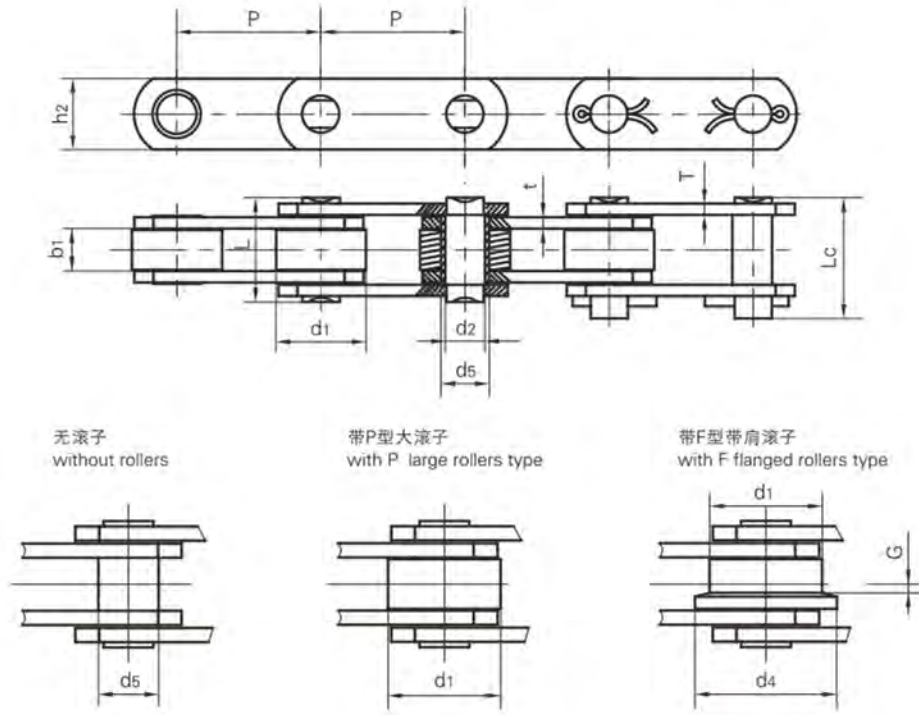
DIN 链号 DIN Chain No.	内节内宽 Width between inner plates	销轴长度 Pin length		链板高度 Plate depth		极限拉伸载荷 Ultimate tensile strength	
	b1	L	Lc	h2	h	Q	*Q
	min mm	max mm	max mm	max mm	max mm	min kN/LB	min kN/LB
FVT40	18.0	36.0	39.0	35.0	22.5	40.0/9091	47.0/10681
FVT63	22.0	45.0	48.5	40.0	25.0	63.0/14317	75.0/17045
FVT90	25.0	53.0	56.5	45.0	27.5	90.0/20453	115.0/26136
FVT112	30.0	62.0	66.0	50.0	30.0	112.0/25452	170.0/38636
FVT140	35.0	67.0	71.5	60.0	37.5	140.0/31815	180.0/40908
FVT180	45.0	86.0	92.0	70.0	45.0	180.0/40908	250.0/56817
FVT250	55.0	97.0	103.5	80.0	50.0	250.0/56817	300.0/68181
FVT315	65.0	113.0	126.5	90.0	55.0	315.0/71591	480.0/109089

*Q表示链板要热处理

*Q Higher breaking load with hardened plates

输送链 Conveyor chains

Z系列输送链 Conveyor chains (Z series)



Vision Chain No.	节距 Pitch							滚子尺寸 Roller dimension			套筒直径 Bush diameter
	P							d1 max	d4 max	G	d5 max
	mm	mm	mm	mm	mm	mm	mm	mm	mm	mm	
Z40	50.8	63.5	76.2	88.9	101.6	127.0	152.4	31.75	40.0	2.5	17.0
Z100	76.2	88.9	101.6	127.0	152.4	177.8	203.2	47.50	60.0	3.5	23.0
Z160	101.6	127.0	152.4	177.8	203.2	228.6	254.0	66.70	82.0	3.5	33.0
Z300	152.4	177.8	203.2	254.0	304.8			88.90	114.0	8.5	38.0

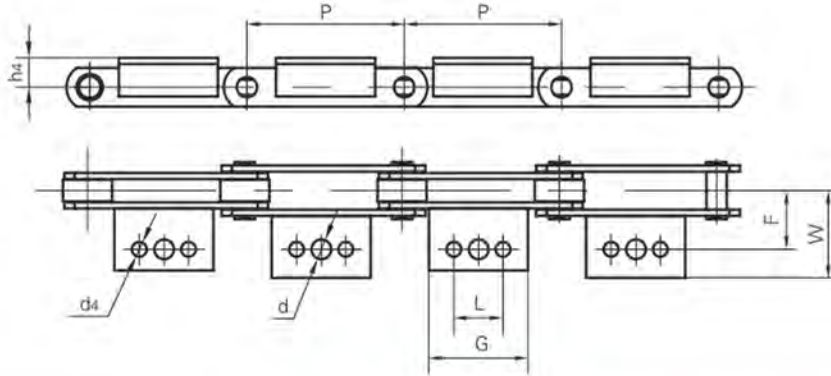
Vision Chain No.	内节内宽 Width between inner plates	销轴直径 Pin diameter	链板高度 Plate depth	销轴长度 Pin length		链板厚度 Plate thickness	破断载荷 Breaking load	
	b1 min	d2 max	h2 min	L max	Lc max	l/T max	Q min	*Q min
	mm	mm	mm	mm	mm	mm	kN/LB	kN/LB
Z40	15.0	14.0	25.0	37.0	40.5	4.0	40.0/9091	50.0/11362
Z100	19.0	19.0	40.0	45.0	50.5	5.0/4.0	100.0/22725	130.0/29540
Z160	26.0	26.9	50.0	58.0	63.5	7.0/5.0	156.0/35451	200.0/45454
Z300	38.0	32.0	60.0	84.0	94.0	10.0/8.0	300.0/68175	380.0/86362

*Q表示链板要热处理

*Q Higher breaking load with hardened plates

输送链 Conveyor chains

Z系列带附板输送链 Conveyor chain with attachments (Z series)



Vision Chain No.		P	L	G	d	d ₄	F	W	h ₄					
		mm	mm	mm	mm	mm	mm	mm	mm					
Z40	△	50.8	-	45.0	10.7	9.3	38.1	64.5	19.0					
	△ ☆	63.5	22.2	43.0				56.0						
	△ ☆	76.2		68.0										
	▲	88.9	31.8	50.0				56.0						
	▲	101.6		64.0				55.0						
	▲	127.0		57.2				84.0		56.0				
	▲	152.4												
Z100	△	76.2	-	30.0	14.0	10.5	44.5	65.0	32.0					
	△	88.9	31.8	64.0										
	▲	101.6		84.0										
	△ ☆	127.0	57.2	114.5						15.5	12.3	54.0	77.0	38.0
	▲	152.4		130.0										
	△ ☆	177.8		80.0										
	△ ☆	203.2	100.0											
△ ☆	177.8	135.0		170.0										
△ ☆	203.2													
Z160	△	101.6	-	35.0	17.0	14.0	73.0	100.0	51.0					
	△ ☆	127.0	31.7	56.0										
	△ ☆	152.4		84.0										
	△ ☆	177.8	57.2	130.0										
	△ ☆	203.2		100.0						150.0				
	△ ☆	228.6								135.0	170.0			
	△ ☆	254.0												
Z300	△	152.4	38.1	70.0	17.0	14.0	73.0	100.0	51.0					
	△	177.8	76.2	100.0										
	△ ☆	203.2		152.4										
	△ ☆	254.0	190.0	225.0										
	△ ☆	304.8												

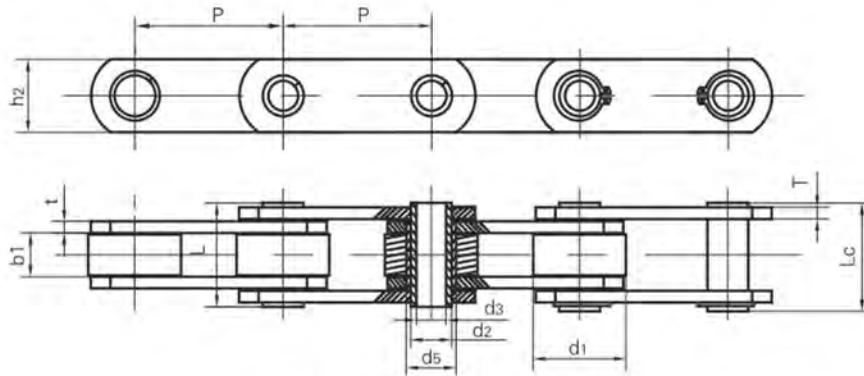
△表示附板带1个孔
△ attachments with 1 hole

☆表示附板带2个孔
☆ attachments with 2 holes

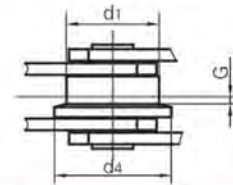
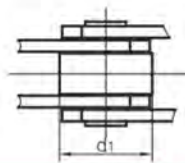
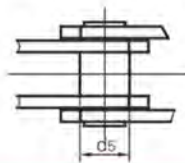
▲表示附板带3个孔
▲ attachments with 3 holes

输送链 Conveyor chains

ZC系列空心销轴输送链 Hollow pin conveyor chains (ZC series)


 无滚子
without rollers

 带P型大滚子
With P large rollers type

 带F型带肩滚子
with F langed rollers type


Vision Chain No.	节距 Pitch							滚子尺寸 Roller dimension			套筒直径 Bush diameter	链板高度 Plate depth
	P							d1 max	d4 max	G	d5 max	h2 max
	mm							mm	mm	mm	mm	mm
ZC21	38.1	50.8	63.5	76.2				25.40			11.0	18.0
ZC40	50.8	63.5	76.2	88.9	101.6	127.0	152.4	31.75	40.0	2.5	17.0	25.0
ZC60	76.2	88.9	101.6	127.0	152.4	177.8	203.2	47.50	60.0	3.5	23.0	40.0
ZC150	101.6	127.0	152.4	177.8	203.2	228.6	254.0	66.70	82.0	4.0	33.0	50.0
ZC300	152.4	177.8	203.2	254.0	304.8			88.90	114.0	8.5	38.0	60.0

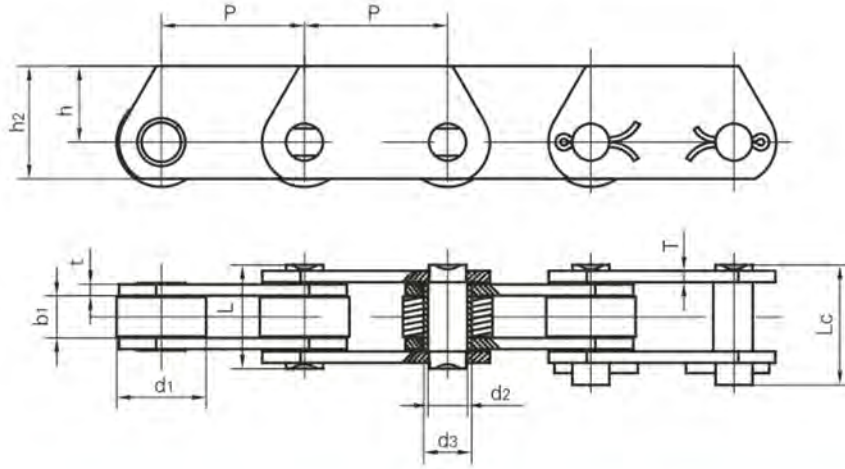
Vision Chain No.	内节内宽 Width between inner plates	销轴直径 Pin diameter		销轴长度 Pin length		链板厚度 Plate thickness	破断载荷 Breaking load	
	b1 min mm	d2 max mm	d3 min mm	L max mm	Lc max mm	t/T max mm	Q min kN/LB	*Q min kN/LB
ZC21	12.7	9.0	6.5	26.0	27.5	2.5	21.0/4772	
ZC40	15.0	14.0	10.2	36.4	37.7	4.0	40.0/9091	50.0/11362
ZC60	19.0	19.0	13.2	45.0	46.0	5.0/4.0	60.0/13636	120.0/27270
ZC150	26.0	26.9	20.2	58.0	60.5	7.0/5.0	150.0/34087	190.0/43177
ZC300	38.0	32.0	22.5	83.0	85.0	10.0/8.0	300.0/68175	380.0/86362

*Q表示链板要热处理

*Q Higher breaking load with hardened plates

输送链 Conveyor chains

ZE系列输送链 Conveyor chains (ZE series)



Vision Chain No.	节距 Pitch							滚子直径 Roller diameter	销轴直径 Pin diameter	套筒直径 Bush diameter
	P							d1 max	d2 max	d3 max
	mm							mm	mm	mm
ZE40	50.8	63.5	76.2	88.9	101.6	127.0	152.4	31.75	14.0	17.0
ZE100	76.2	88.9	101.6	127.0	152.4	177.8	203.2	47.50	19.0	23.0
ZE160	101.6	127.0	152.4	177.8	203.2	228.6	254.0	66.70	26.9	33.0
ZE300	152.4	177.8	203.2	254.0	304.8			88.90	32.0	38.0

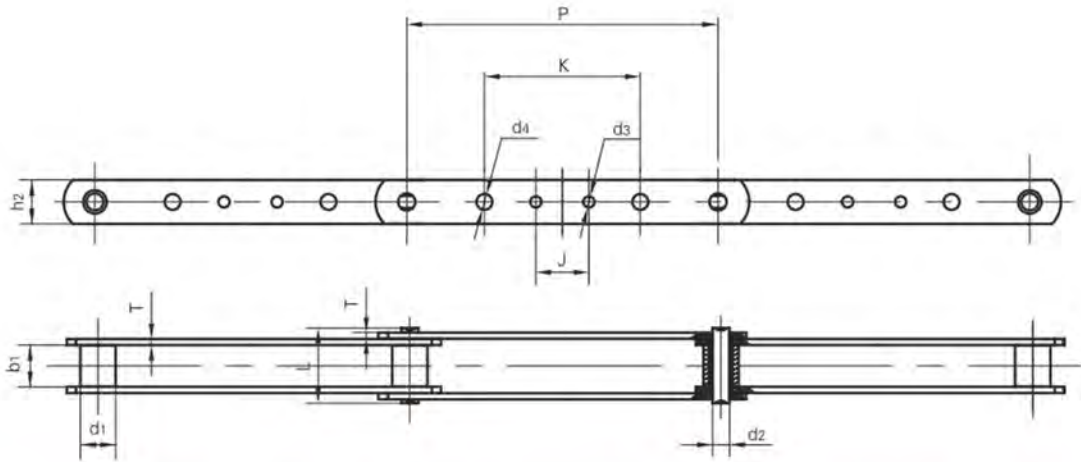
Vision Chain No.	内节内宽 Width between inner plates	销轴长度 Pin length		链板高度 Plate depth		链板厚度 Plate thickness	破断载荷 Breaking load	
	b1 min	L max	Lc max	h2 max	h max	t/T max	Q min	*Q min
	mm	mm	mm	mm	mm	mm	kN/LB	kN/LB
ZE40	15.0	37.0	40.5	40.0	27.0	4.0	40.0/9091	60.0/13636
ZE100	19.0	45.0	50.5	50.0	30.0	5.0/4.0	100.0/22725	160.0/36360
ZE160	26.0	58.0	63.5	70.0	45.0	7.0/5.0	160.0/36360	200.0/45454
ZE300	38.0	84.0	94.0	90.0	60.0	10.0/8.0	300.0/68175	380.0/86362

*Q表示链板要热处理

*Q Higher breaking load with hardened plates

输送链 Conveyor chains

木材输送链及配件 Lumber conveyor chains & attachments

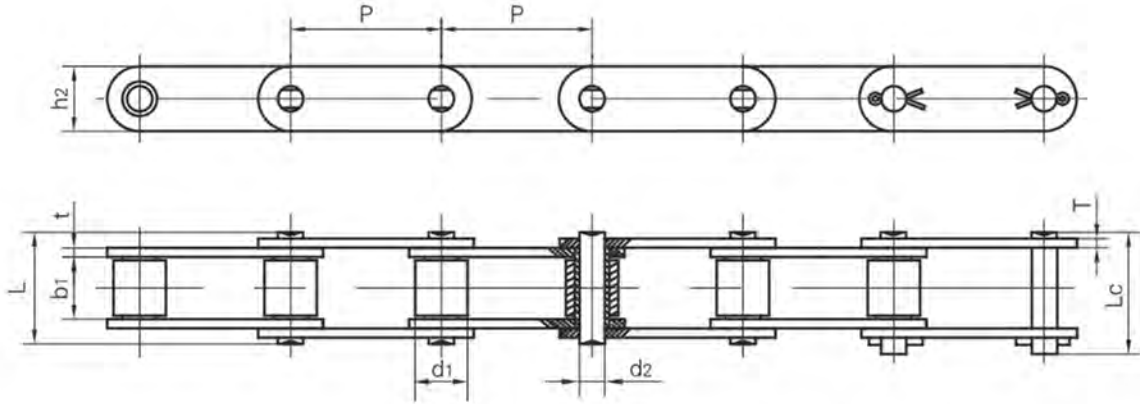


Vision Chain No.	节距 Pitch	滚子直径 Roller diameter	内节内宽 Width between inner plates	销轴尺寸 Pin dimension		链板尺寸 Plate dimension					链板厚度 Plate thickness	极限拉伸载荷 Ultimate tensile strength	平均拉伸载荷 Average tensile strength	每米长重 Weight per meter
	P	d ₁ max	b ₁ min	d ₂ max	L max	h ₂ max	d ₃ max	d ₄ max	J max	K max	T max	Q min	Q ₀	q
	mm	mm	mm	mm	mm	mm	mm	mm	mm	mm	mm	kN/LB	kN	kg/m
3939-B4	203.2	23.00	27.00	11.1	49.0	28.58	7.2	7.2	38.1	101.6	4.0	115.58/26268	136.5	2.45
3939-B21	203.2	23.00	27.00	11.1	49.0	28.58	7.2		38.1		4.0	115.58/26268	136.5	2.45
3939-B23	203.2	23.00	27.00	11.1	49.0	28.58		10.3		92.1	4.0	115.58/26268	136.5	2.45
3939-B24	203.2	23.00	27.00	11.1	49.0	28.58		7.2		101.6	4.0	115.58/26268	136.5	2.48
3939-B40	203.2	23.00	27.00	11.1	49.0	28.58		10.3		101.6	4.0	115.58/26268	136.5	2.45
3939-B43	203.2	23.00	27.00	11.1	49.0	28.58	7.2	10.3	38.1	92.1	4.0	115.58/26268	136.5	2.42

输送链 Conveyor chains

木材输送链及配件

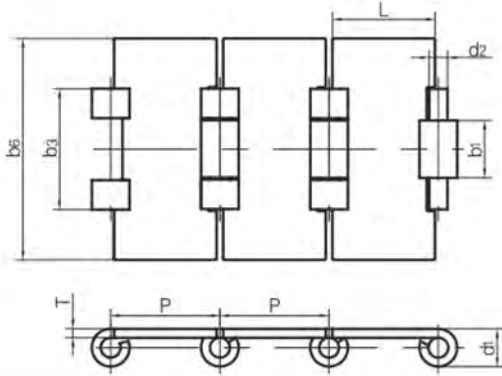
Lumber conveyor chains & attachments



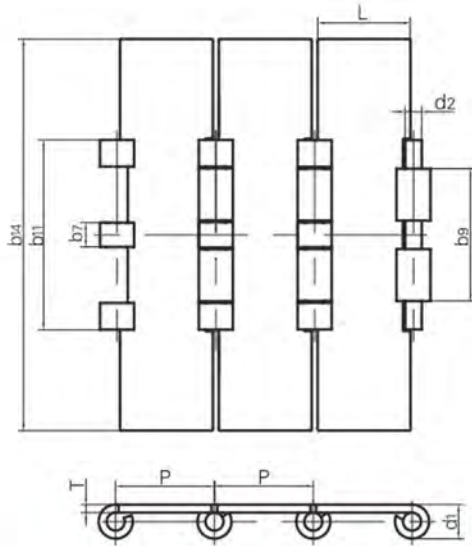
Vision Chain No.	节距	滚子直径	内节内宽	销轴直径	销轴长度		内链板高度	链板厚度	极限拉伸载荷	平均拉伸载荷	每米长重
	Pitch	Roller diameter	Width between inner plates	Pin diameter	L	Lc	Inner plate depth	Plate thickness	Ultimate tensile strength	Average tensile strength	Weight per meter
	P	d_1 max	b_1 min	d_2 max	L max	Lc max	h_2 max	t/T max	Q min	Q ₀	q
	mm	mm	mm	mm	mm	mm	mm	mm	kN/LB	kN	kg/m
81X	66.27	23.00	27.00	11.10	49.0	53.5	28.50	4.00	106.7/24250	128.9	3.78
81XH	66.27	23.00	27.78	11.10	60.7	65.1	31.35	7.94/5.55	151.9/34523	175.7	5.88
81XHH	66.27	23.00	27.78	11.10	65.6	70.0	31.35	7.94	191.1/43432	212.6	6.70
81XHS	66.27	23.00	27.00	11.10	63.6	68.0	31.80	7.60	152.0/34545	177.2	6.55
500R	50.00	25.40	25.40	14.63	52.0	56.4	40.00	5.00	100.0/22727	114.5	7.13

输送链 Conveyor chains

平顶输送链 Flat-top conveyor chains



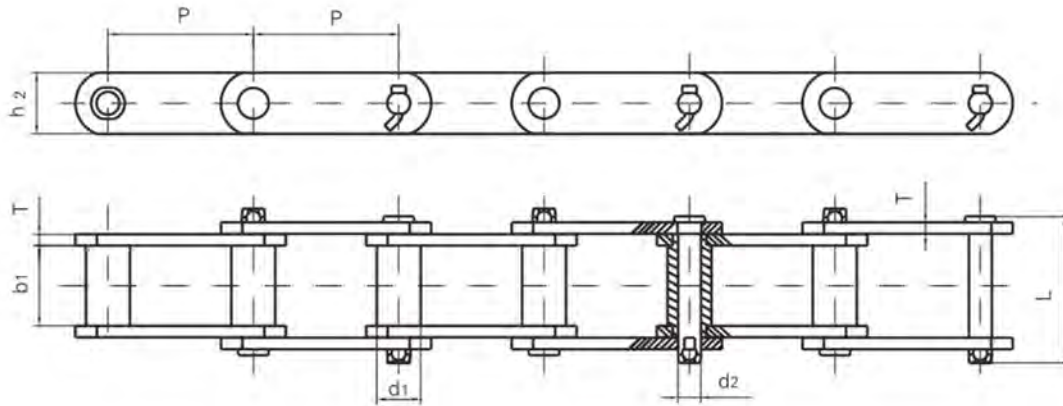
Vision Chain No.	P	b6 max	d1 max	d2 max	T max	L	b1 max	b3 max	极限拉伸载荷 Ultimate tensile strength		每米长重 Weight per meter
									材料Material		
									1Cr18Ni9Ti kN min	1Cr13 2Cr13 kN min	
C12S		76.2									2.39
C13S		82.6									2.55
C14S		88.9									2.70
C16S	38.1	101.6	13.13	6.38	3.35	37.28	20	42.05	8.00	6.25	2.99
C18S		114.3									3.29
C24S		152.4									4.17
C30S		190.5									5.06



Vision Chain No.	P	b14 max	d1 max	d2 max	T max	L	b9 max	b11 max	极限拉伸载荷 Ultimate tensile strength		每米长重 Weight per meter
									材料Material		
									1Cr18Ni9Ti kN min	1Cr13 2Cr13 kN min	
C30D	38.1	190.5	13.13	6.38	3.35	13.5	53.5	80.5	16.00	12.50	5.87

输送链 Conveyor chains

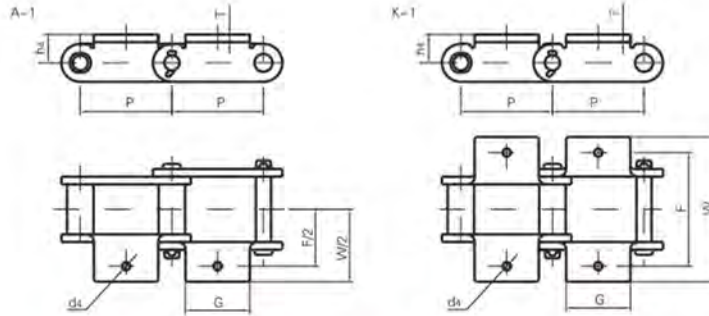
工程用钢制套筒链 Engineering bush chains



ANSI Chain No.	Vision Chain No.	节距	套筒直径	内节内宽	销轴直径	销轴长度	链板高度	链板厚度	极限拉伸载荷	平均拉伸载荷	每米长重
		Pitch	Bush diameter	Width between inner plates	Pin diameter	Pin length	Plate depth	Plate thickness	Ultimate tensile strength	Average tensile strength	Weight per meter
		P	d1 max	b1 min	d2 max	L max	h2 max	T max	Q min	Q0	q
		mm	mm	mm	mm	mm	mm	mm	kN/LB	kN	kg/m
S102B		101.60	25.40	54.10	15.88	111.3	38.10	9.7	160.0/35993	176.0	10.4
S110		152.40	32.00	54.10	15.88	111.3	38.10	9.7	160.0/35993	176.0	9.8
S111		120.90	36.60	66.80	19.05	131.2	50.80	9.7	214.0/48141	235.4	15.9
S131		78.11	32.00	33.50	15.88	90.5	38.10	9.7	160.0/35993	176.0	11.6
S150		153.67	44.70	84.30	25.40	164.6	63.50	12.7	378.0/85034	416.0	25.7
S188		66.27	22.40	26.90	12.70	68.6	28.40	6.4	102.0/22946	112.2	5.6
S856		152.40	44.40	76.20	25.40	154.9	63.50	12.7	365.0/82110	401.5	25.0
S857		152.40	44.40	76.20	25.40	154.9	82.60	12.7	432.0/97182	475.2	32.0
S859		152.40	60.40	95.30	31.75	188.5	101.60	16.0	690.0/155221	759.0	55.9
S864		177.80	60.40	95.30	31.75	188.5	101.60	16.0	690.0/155221	759.0	51.8
	S102.5	102.36	34.93	57.15	19.05	115.0	44.45	9.5	214.0/48141	235.4	14.09
	S110F1	152.40	31.75	53.48	15.88	111.0	44.45	9.5	160.0/35993	176.0	10.50
	S111F1	120.90	36.51	66.68	19.05	125.0	50.80	9.5	214.0/48141	235.4	15.46

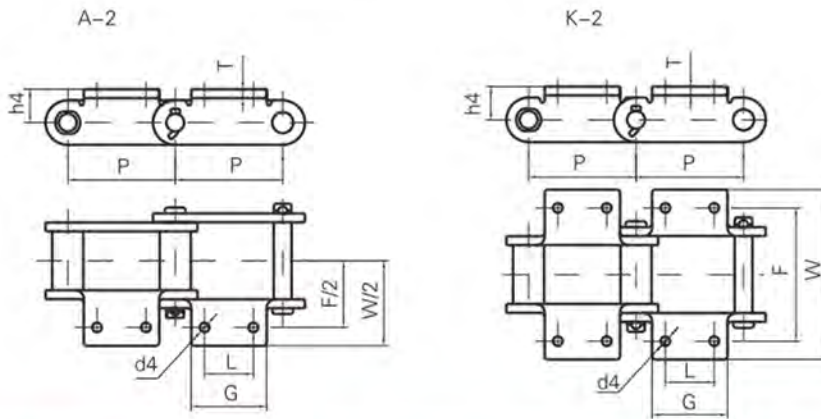
输送链 Conveyor chains

工程用钢制套筒链附件 Engineering bush chain with attachments



ANSI 链号 ANSI Chain No.	P mm	G mm	F mm	W mm	h4 mm	d4 mm	T mm
*S102B	101.60	77.0	121.0	180.8	25.4	10.2	9.7
S131	78.11	73.9	104.6	157.0	25.4	13.5	9.7
S188	66.27	54.6	95.2	131.6	20.6	10.2	6.4

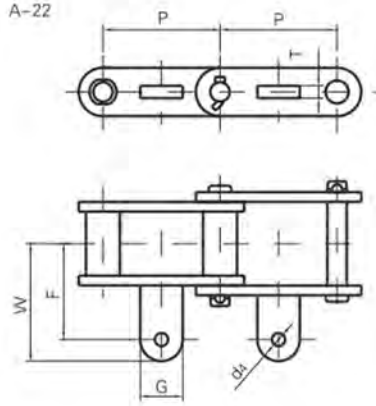
*S102B只有带A-1附件
S102B only with A-1 attachments



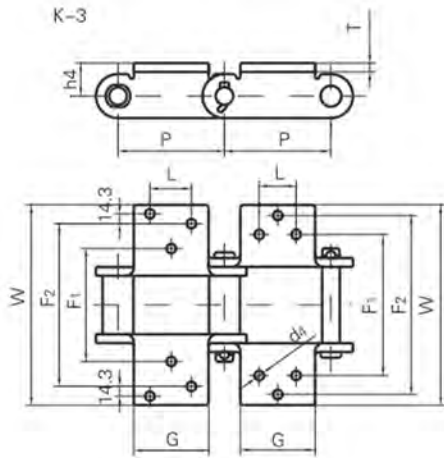
ANSI 链号 ANSI Chain No.	Vision Chain No.	P mm	L mm	G max mm	F mm	W max mm	h4 mm	d4 min mm	T mm
S102B		101.60	44.50	69.9	134.90	180.80	25.40	10.2	9.7
S110		152.40	44.50	89.6	134.90	180.80	25.40	10.2	9.7
S111		120.90	58.70	92.7	158.80	210.80	38.10	13.5	9.7
S131		78.11	38.10	73.9	104.60	157.00	25.40	13.5	9.7
S150		153.67	69.90	108.7	190.50	249.40	47.80	13.5	12.7
S188		66.27	31.80	54.6	106.40	131.60	20.60	8.6	6.4
S856		152.40	63.50	103.1	184.20	241.30	47.80	16.8	12.7
	S102.5	102.36	44.45	69.0	136.53	163.51	28.58	9.5	9.5
	S110F1	152.40	44.45	88.9	134.94	165.10	27.78	10.3	9.5
	S111F1	120.90	58.70	87.5	158.75	196.85	38.10	13.7	9.5

输送链 Conveyor chains

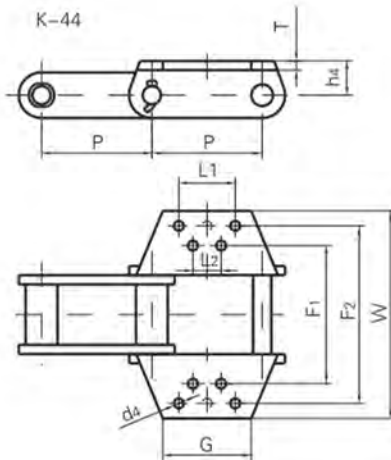
工程用钢制套筒链附件 Engineering bush chain with attachments



ANSI 链号 ANSI Chain No.	P mm	G mm	F mm	W mm	d ₄ mm	T mm
S188	66.27	49.2	45.2	61.2	10.2	10.4



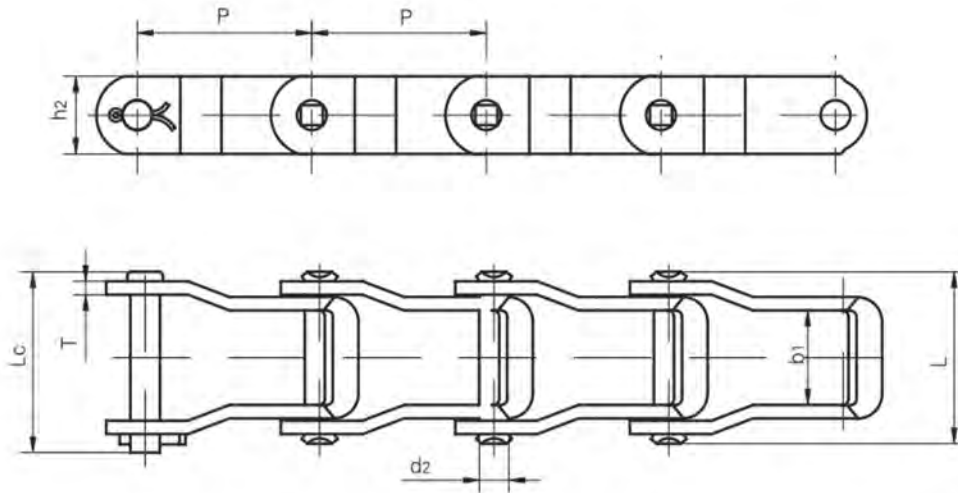
Vision Chain No.	P mm	G mm	L mm	F1 mm	F2 mm	W mm	h4 mm	d ₄ mm	T mm
S150	153.67	109.5	69.9	190.5	292.1	347.5	47.8	13.5	13.5
S856	152.40	152.4	69.9	166.6	277.9	349.3	47.8	13.5	13.5



Vision Chain No.	P mm	G mm	L1 mm	L2 mm	F1 mm	F2 mm	W mm	h4 mm	d ₄ mm	T mm
S857	152.40	146.1	88.9	88.9	177.8	304.8	355.6	63.5	13.5	13.5
S859	152.40	146.1	114.3	69.9	228.6	330.2	381.0	76.2	16.8	13.5
S864	177.80	146.1	139.7	95.3	228.6	330.2	381.0	76.2	16.8	13.5

输送链 Conveyor chains

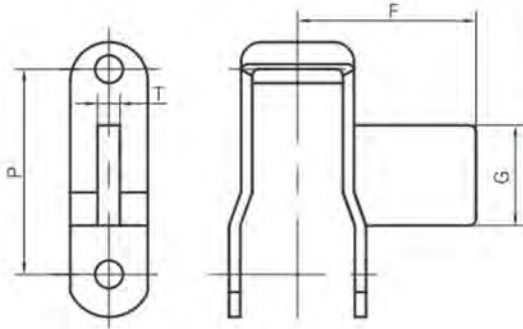
钢制销合链 Steel pintle chains



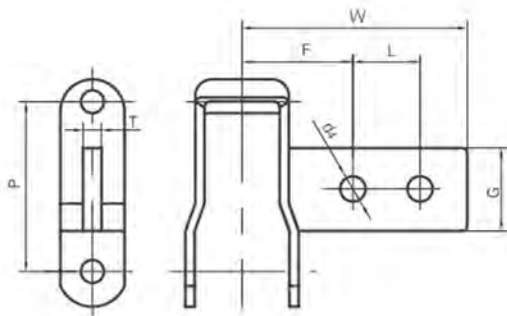
Vision Chain No.	节距	内节内宽	销轴直径	销轴长度		链板高度	链板厚度	极限拉伸载荷	平均拉伸载荷	每米长重
	Pitch	Width between inner plates	Pin diameter	Pin length		Plate depth	Plate thickness	Ultimate tensile strength	Average tensile strength	Weight per meter
	P	b1 min	d2 max	L max	Lc max	h2 max	T	Q min	Q0	q
	mm	mm	mm	mm	mm	mm	mm	kN/LB	kN	kg/m
662	42.27	22.9	7.19	41.2	44.2	18.8	3.2	37.80/8591	41.5	1.63
667H	58.75	25.4	7.94	43.7	46.7	22.2	3.2	42.30/9614	46.5	1.87
667X	57.15	26.6	11.10	50.2	55.0	23.8	4.3	66.70/15159	73.3	2.98
667XH	57.15	27.4	11.91	58.0	62.0	27.3	5.7	124.50/28295	136.9	4.34
667K	57.15	27.4	11.10	55.5	60.0	27.3	5.1	89.00/20227	97.9	3.91
667J	57.15	26.6	9.53	50.2	55.0	27.3	4.3	62.28/14155	68.5	2.81
88K	66.27	27.4	11.10	55.5	60.0	27.3	5.1	89.00/20227	97.9	3.73
88C	66.27	31.4	12.70	64.6	69.0	28.9	6.4	133.36/30309	146.6	5.17

输送链 Conveyor chains

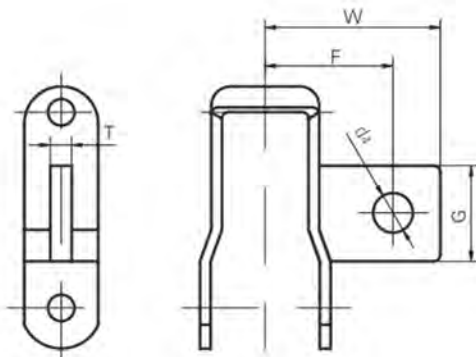
钢制销合链附件 Steel pintle chain with attachments



Vision Chain No.	P	G	F	T
	mm	mm	mm	mm
662	42.27	24.2	47.6	4.3
667H	58.75	29.7	69.0	6.4
667X	57.15	29.7	68.3	7.9
667K	57.15	32.5	68.3	9.5
88K	66.27	32.5	68.3	9.5



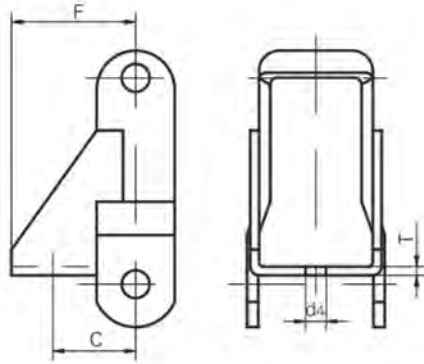
Vision Chain No.	P	G	F	L	W	d ₄	T
	mm	mm	mm	mm	mm	mm	mm
662	42.27	24.2	34.9	15.9	60.3	6.75	4.3
88C	66.27	32.5	54.0	63.5	136.5	9.92	9.5
88K	66.27	32.5	54.0	63.5	136.5	9.92	9.5



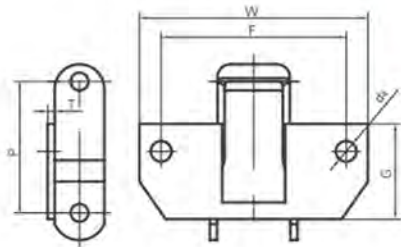
Vision Chain No.	G	F	W	d ₄	T
	mm	mm	mm	mm	mm
662	24.2	35.9	48.4	7.00	4.3
667H	29.7	51.6	66.6	8.50	6.4
667X	29.7	51.6	69.0	8.50	7.9
667K	32.5	51.6	72.2	10.00	9.5
88K	32.5	51.6	72.2	10.00	9.5

输送链 Conveyor chains

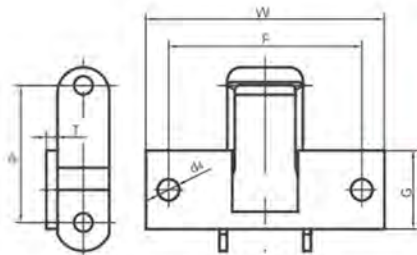
钢制销合链附件 Steel pintle chain with attachments



Vision Chain No.	C	F	d ₄	T
	mm	mm	mm	mm
662	22.9	37.2	7.00	2.8
667H	25.4	38.9	7.00	4.8
667X	29.5	39.7	7.00	4.8



Vision Chain No.	附件名称 Attachment No.	P	G	F	W	d ₄	T
		mm	mm	mm	mm	mm	mm
662	K1	42.27	34.9	62.7	82.6	6.75	3.2
662	K19	42.27	34.9	50.8	71.4	6.75	3.2
667X	K1	57.15	34.9	62.7	82.6	6.75	3.2
667H	K1	58.75	34.9	62.7	82.6	6.75	3.2

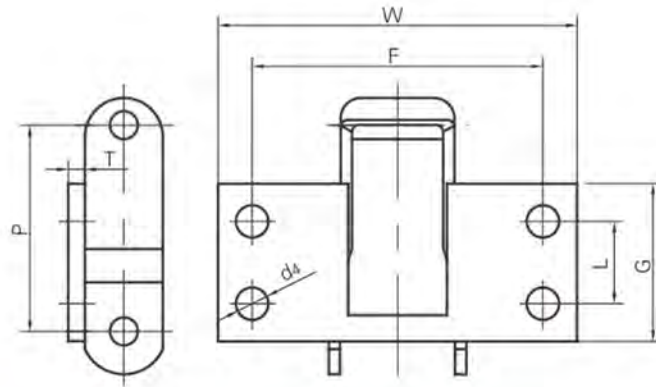


Vision Chain No.	附件名称 Attachment No.	P	G	F	W	d ₄	T
		mm	mm	mm	mm	mm	mm
88K	K1C	66.27	47.6	95.3	127.0	9.92	4.8
88K	K1M	66.27	47.6	101.6	127.0	9.92	4.8
88K	K1P	66.27	47.6	96.8	127.0	9.92	4.8

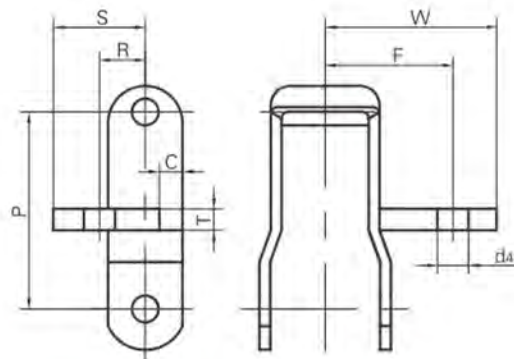
输送链 Conveyor chains

钢制销合链附件

Steel pintle chain with attachments



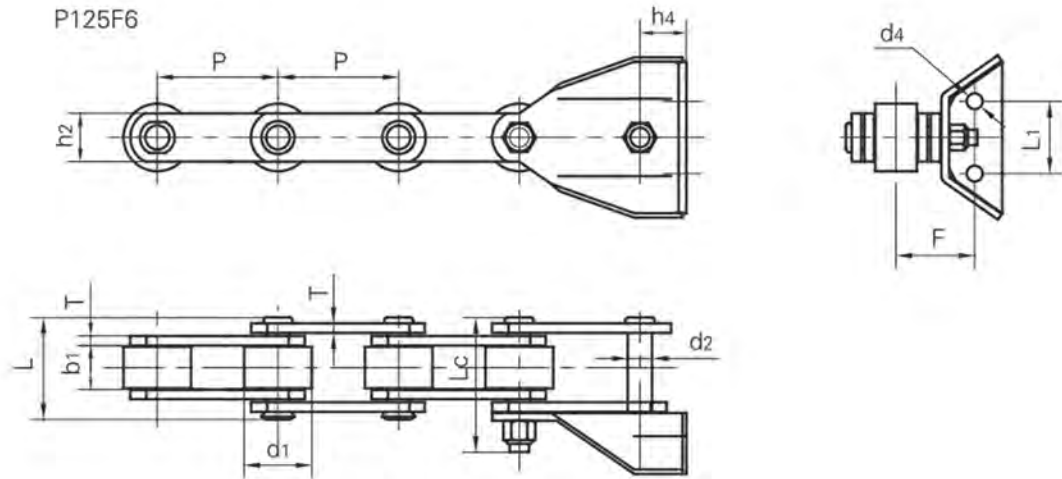
Vision Chain No.	附件名称 Attachment No.	P mm	L mm	G mm	F mm	W mm	d ₄ mm	T mm
88K	K2C	66.27	31.8	57.2	106.4	127.0	9.92	4.8
88K	K2M	66.27	31.8	57.2	101.6	127.0	9.92	4.8
88K	K2P	66.27	31.8	57.2	92.0	127.0	9.92	4.8



Vision Chain No.	附件名称 Attachment No.	P mm	R mm	S mm	F mm	W mm	d ₄ mm	T mm	C mm
662	G28	42.27	20.6	33.3	31.8	43.7	6.75	6.4	4.8
662	G30	42.27	19.1	33.3	33.3	48.0	8.33	6.4	4.8
662	G30S	42.27	19.1	33.3	33.3	48.0	8.73	6.4	4.8
667H	G27S	58.75	19.1	31.8	51.6	65.9	9.92	6.4	6.4

输送链 Conveyor chains

焊接输送链 Welded conveyor chains

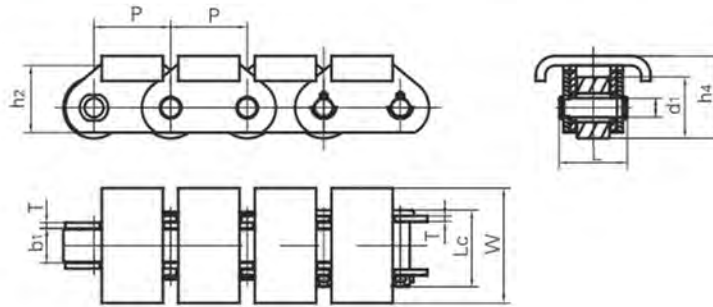


Vision Chain No.	节距 Pitch	滚子直径 Roller diameter	内节内宽 Width between inner plates	销轴直径 Pin diameter	销轴长度 Pin length		链板高度 Plate depth	链板厚度 Plate thickness	极限拉伸载荷 Ultimate tensile strength
	P	d1 max	b1 min	d2 max	L max	Lc max	h2 max	T max	Q min
	mm	mm	mm	mm	mm	mm	mm	mm	kN/LB
P125F6	125.0	70.0	45.0	20.0	90.0	122.0	50.0	8.0	250/56818

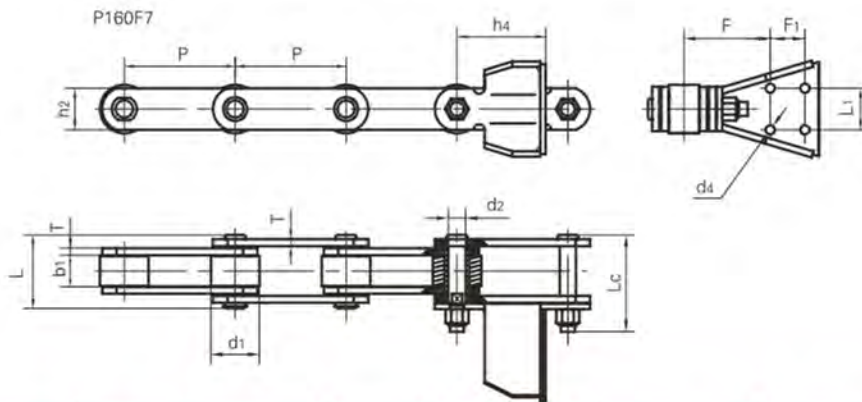
Vision Chain No.	P	L1	F	d4	h4
	mm	mm	mm	mm	mm
P125F6	125.0	75.0	77.5	16.5	44.0

输送链 Conveyor chains

焊接输送链 Welded conveyor chains



Vision Chain No.	节距 Pitch	滚子直径 Roller diameter	内节内宽 Width between inner plates	销轴直径 Pin diameter	销轴长度 Pin length		链板高度 Plate depth	链板厚度 Plate thickness	附件尺寸 Attachment dimension		极限拉伸载荷 Ultimate tensile strength	每米长重 Weight per meter
	P	d1 max	b1 min	d2 max	L max	Lc max	h2 max	T max	W	h4	Q min	q
	mm	mm	mm	mm	mm	mm	mm	mm	mm	mm	kN/LB	kg/m
P40F3	40.0	32.0	18.0	10.0	36.1	40.2	35.0	3.0	60.0	43.0	40.0/9091	7.27
P40F5	40.0	32.0	18.0	10.0	36.1	40.2	35.0	3.0	59.5	42.0	40.0/9091	7.16
P63F6	63.0	48.0	25.0	14.0	52.0	57.0	45.0	5.0	130.0	56.5	63.0	16.22
P63F9	63.0	48.0	25.0	10.0	52.0	57.0	45.0	5.0	80.0	56.5	63.0	13.66

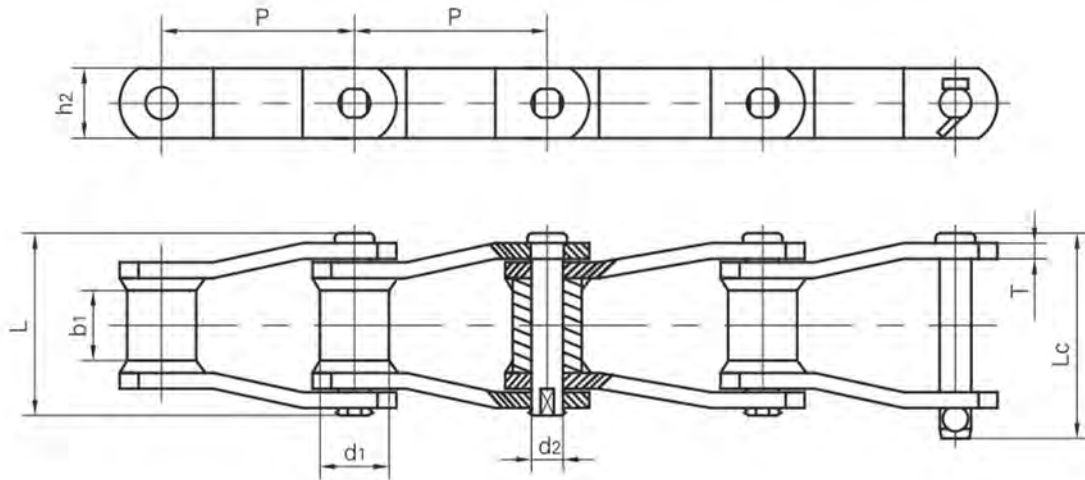


Vision Chain No.	节距 Pitch	滚子直径 Roller diameter	内节内宽 Width between inner plates	销轴直径 Pin diameter	销轴长度 Pin length		链板高度 Plate depth	链板厚度 Plate thickness	极限拉伸载荷 Ultimate tensile strength
	P	d1 max	b1 min	d2 max	L max	Lc max	h2 max	T max	Q min
	mm	mm	mm	mm	mm	mm	mm	mm	kN/LB
P125F6	125.0	70.0	45.0	20.0	90.0	122.0	50.0	8.0	250/56818
P160F7	160.0	70.0	45.0	25.0	99.0	136.0	60.0	10.0	400/90908

Vision Chain No.	P	L1	F	d4	h4	F1
	mm	mm	mm	mm	mm	mm
P125F6	125.0	75.0	77.5	16.5	44.0	
P160F7	160.0	60.0	119.5	13.0	130.0	50.0

输送链 Conveyor chains

焊接弯板链 Welded steel chains



Vision Chain No.	节距	套筒直径	内节内宽	销轴直径	销轴长度		链板高度	链板厚度	极限拉伸载荷	平均拉伸载荷	每米长重
	Pitch	Bush diameter	Inside width for sprocket contact	Pin diameter	Pin length		Plate depth	Plate thickness	Ultimate tensile strength	Average tensile strength	Weight per meter
	P	d ₁ max	b ₁ min	d ₂ max	L max	L _c max	h ₂ max	T	Q _{min}	Q ₀	q
	mm	mm	mm	mm	mm	mm	mm	mm	kN/LB	kN	kg/m
WR78 WH78	66.27	22.9	28.4	12.78	73.0	79.3	28.4	6.4	93.4/21227 106.8/24273	102.7 117.5	6.20
WR82 WH82	78.10	31.5	31.8	14.35	80.0	86.0	31.8	6.4	100.1/22750 131.2/29818	110.1 144.3	7.98
WR106 WH106	152.40	37.1	41.2	19.13	103.0	111.0	38.1	9.7	169.0/38409 224.6/51045	185.9 247.0	10.56
WR110 WH110	152.40	32.0	46.7	19.13	107.7	115.5	38.1	9.7	169.0/38409 224.6/51045	185.9 247.0	10.40
WR111 WH111	120.90	37.1	57.2	19.13	116.8	124.5	38.1	9.7	169.0/38409 224.6/51045	185.9 247.0	12.72
WR124 WH124	101.60	37.1	41.2	19.13	103.0	110.0	38.1	9.7	169.0/38409 224.6/51045	185.9 247.0	12.38
WR124H WH124H	103.20	41.7	41.2	22.30	131.6	133.0	50.8	12.7	275.8/62682 355.9/80886	303.3 391.4	19.68
WR132 WH132	153.67	44.7	76.2	25.48	151.0	162.2	50.8	12.7	275.8/62682 378.1/85932	303.3 415.9	20.00

注: WR 仅销轴和套筒热处理
WH 所有零件热处理

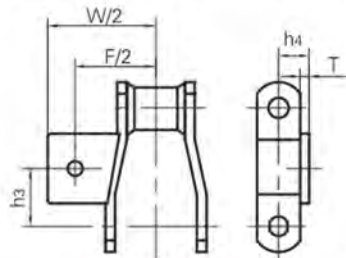
Note: WR - Welded steel chain c/w heat treated pins & bushings
WH - Welded steel chain - fully heat treated

输送链 Conveyor chains

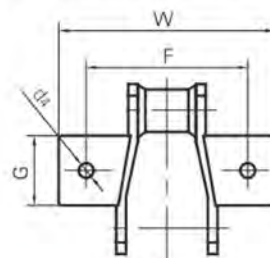
焊接弯板链附件

Welded steel chain with attachments

带A1附板 With A1 attachments

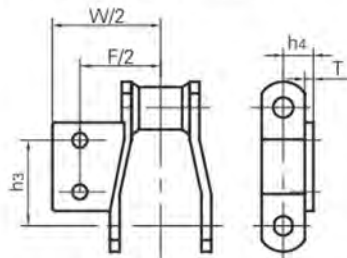


带K1附板 With K1 attachments

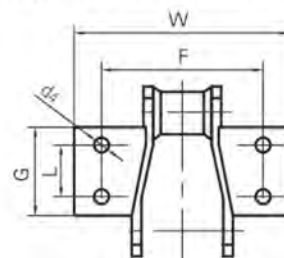


Vision Chain No.	h ₃	G	F	W	h ₄	d ₄	T
	mm	mm	mm	mm	mm	mm	mm
WR78 WH78	31.8	36.6	101.6	130.0	22.4	9.7	6.4
WR82 WH82	38.1	46.0	106.7	142.7	23.9	9.7	6.4

带A2附板 With A2 attachments



带K2附板 With K2 attachments



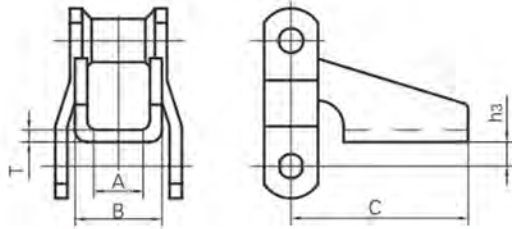
Vision Chain No.	L	G	h ₃	F	W	h ₄	d ₄	T
	mm	mm	mm	mm	mm	mm	mm	mm
WR78 WH78	28.4	52.3	38.9	101.6	130.0	22.4	9.7	6.4
WR82 WH82	33.3	62.0	52.3	108.2	142.7	23.9	9.7	6.4
WR110 WH110	44.4	84.1	98.6	135.1	168.1	30.0	9.7	9.7
WR111 WH111	58.7	90.4	89.9	159.0	193.5	30.0	12.7	9.7
WR124 WH124	49.3	77.7	71.4	133.6	180.8	30.0	9.7	9.7
WR124H WH124H	49.3	80.8	73.2	133.6	165.6	39.6	12.7	12.7
WR132 WH132	69.8	80.8	106.2	190.5	234.7	39.6	12.7	12.7

输送链 Conveyor chains

焊接弯板链附件

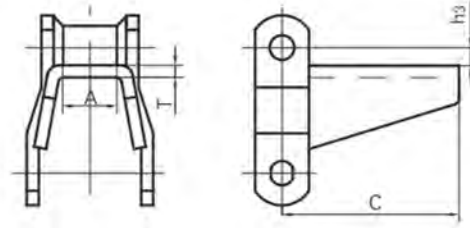
Welded steel chain with attachments

H1附件 With H1 attachments



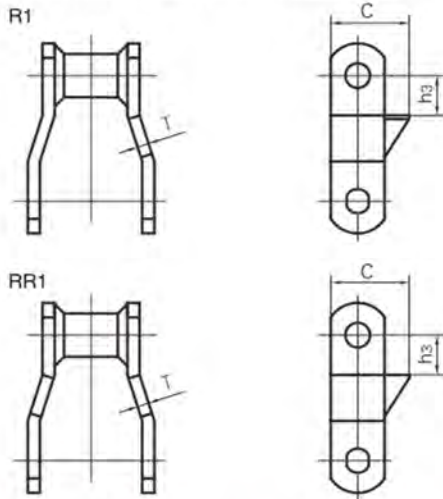
Vision Chain No.	hs	A	B	C	T
	mm	mm	mm	mm	mm
WR78	12.7	22.4	50.8	93.5	6.4
WH78					
WR82	15.7	28.4	57.2	93.5	6.4
WH82					

H2附件 With H2 attachments



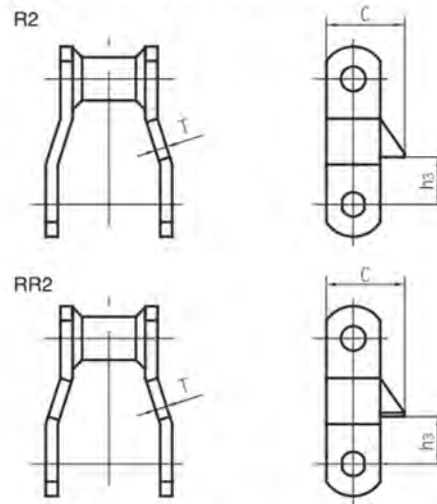
Vision Chain No.	hs	A	C	T
	mm	mm	mm	mm
WR78	7.9	20.8	93.5	6.4
WH78				
WR82	7.9	26.4	96.8	6.4
WH82				

带R1 & RR1附件 With R1 & RR1 attachments



Vision Chain No.	hs	C	T
	mm	mm	mm
WR78	17.3	41.1	6.4
WH78			
WR82	22.4	49.3	6.4
WH82			
WR124	31.8	49.3	9.7
WH124			

带R2 & RR2附件 With R2 & RR2 attachments



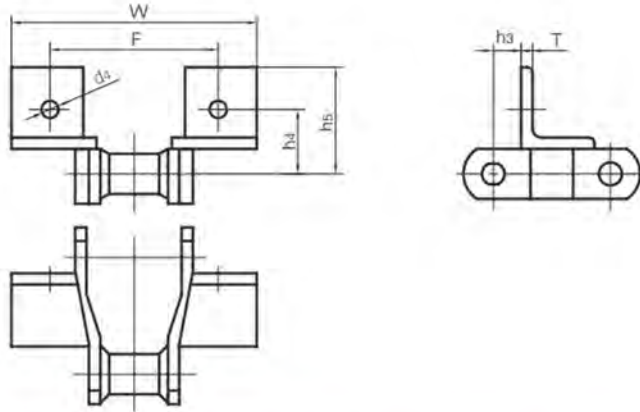
Vision Chain No.	hs	C	T
	mm	mm	mm
WR78	17.3	41.1	6.4
WH78			
WR82	22.4	49.3	6.4
WH82			
WR124	31.8	49.3	9.7
WH124			

输送链 Conveyor chains

焊接弯板链附件

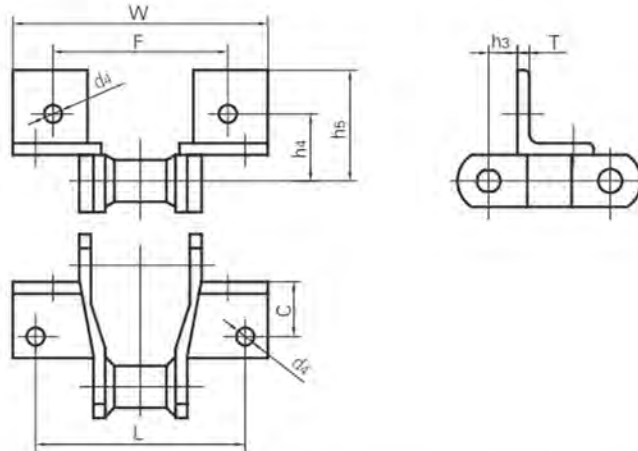
Welded steel chain with attachments

带F2附件 With F2 attachments



Vision Chain No.	h3 mm	h4 mm	h5 mm	F mm	W mm	d4 mm	T mm
WR78	15.7	36.6	60.5	95.5	138.2	9.7	6.4
WH78							

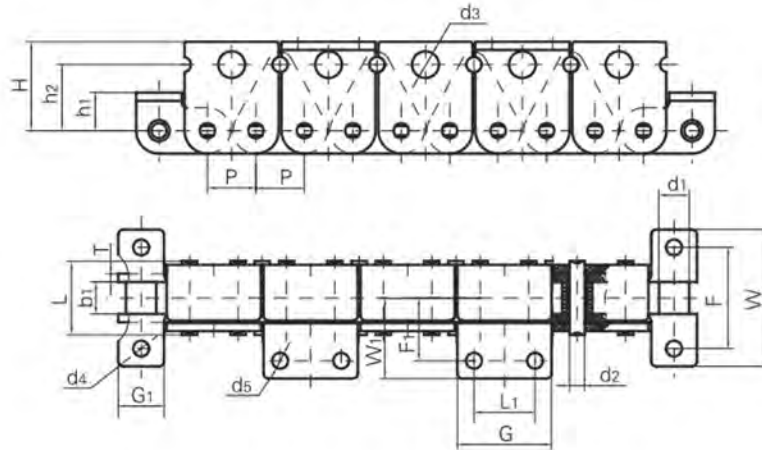
带F4附件 With F4 attachments



Vision Chain No.	h3 mm	h4 mm	h5 mm	L mm	C mm	F mm	W mm	d4 mm	T mm
WR78	17.3	44.4	60.5	114.3	31.8	95.2	141.2	9.7	6.4
WH78									
WR82	20.6	46.2	62.0	127.0	28.4	104.6	150.9	9.7	6.4
WH82									
WR124	22.4	52.3	73.2	133.6	36.6	111.3	157.0	9.7	9.7
WH124									

输送链 Conveyor chains

拖板链 Support chain

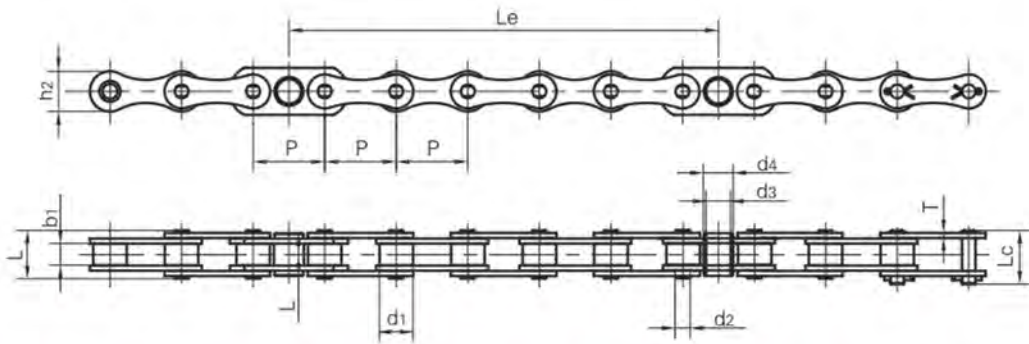


Vision Chain No.	节距	滚子直径	内节内宽	销轴直径	销轴长度	极限拉伸载荷	每米长重
	Pitch	Roller diameter	Width between inner plates	Pin diameter	Pin length	Ultimate tensile strength	Weight per meter
	P	d ₁ max	b ₁ min	d ₂ max	L max	Q min	q
	mm	mm	mm	mm	mm	KN/LB	kg/m
12AH-TB35	19.05	11.91	12.57	5.94	29.2	31.8/7227	4.35

Vision Chain No.	H	h ₂	d ₃	F	W	G ₁	f ₁	d ₄	T	F ₁	W ₁	L ₁	G	d ₅
	mm	mm	mm	mm	mm	mm	mm	mm	mm	mm	mm	mm	mm	mm
12AH-TB35	35.0	26.0	10.5	40.0	54.0	18.0	15.0	6.2	3.25	24.8	31.8	24.0	37.0	6.2

输送链 Conveyor chains

自动扶梯梯级链 Escalator step-chains



Vision Chain No.	节距	滚子直径	内节内宽	销轴直径	销轴长度		轴套直径		轴套长度	链板尺寸			梯级距	极限拉伸载荷	平均拉伸载荷	每梯级重量
	P	d ₁ max	b ₁ min	d ₂	L max	L _c max	d ₃	d ₄	L ₁ max	h ₂ max	T max	L _e	Q min	Q ₀	Q ₀	q
	mm	mm	mm	mm	mm	mm	mm	mm	mm	mm	mm	mm	mm	kN/LB	kN	kg
C-13T	68.40	32.0	20.6	14.29	44.9	50.75	23.5	28.5	40.85	38.5	4.8	410.4	127.4/28665	140.0	2.30	
P67-FD	67.73	28.5	27.0	14.29	52.3	57.00	23.0	27.0	36.85	38.0	4.8	406.4	130.0/29250	140.0	2.19	



劲普机械

Jinpu Mechanical

Address: Room 417-1, Building 8, No. 5-4 Yunhe Road, Chongxian Street,
Yuhang District, Hangzhou City, Zhejiang Province, China.

Tel: 86-(0)571-88277778

Fax: 86-(0)571-85853285

E-mail: info@jpmach.com

Website: www.jpmach.com