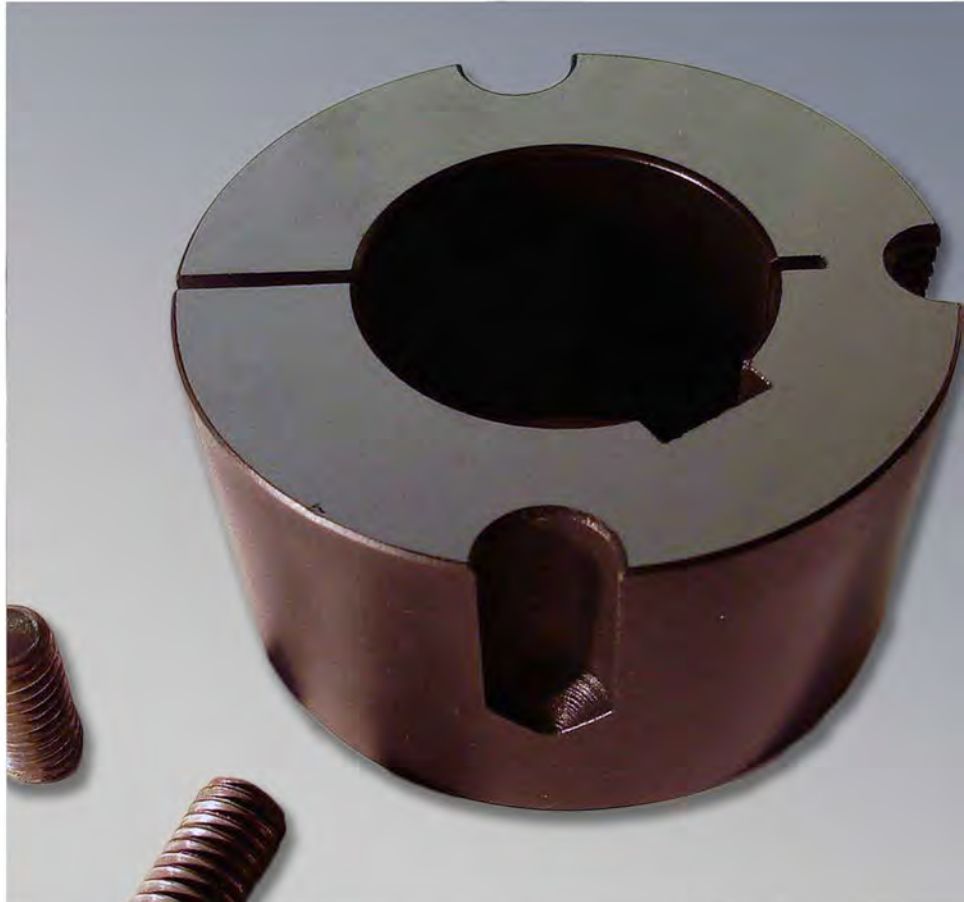




劲普机械
Jinpu Mechanical



杭州劲普传动机械有限公司

Hangzhou Jinpu Transmission Mechanical Co., Ltd

www.jpmach.com

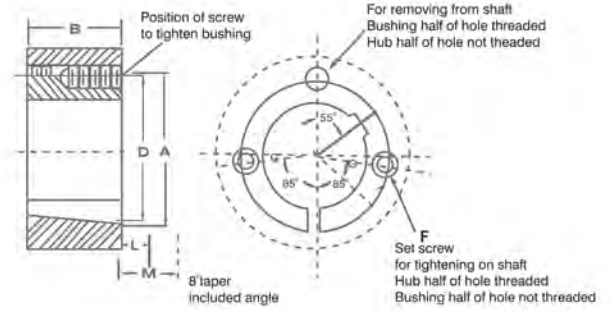
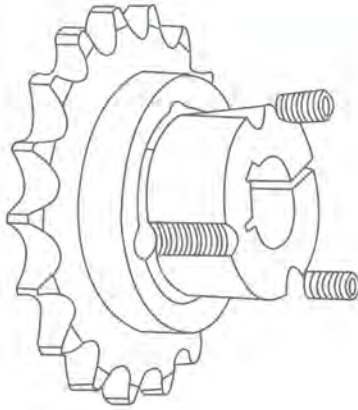
中国·浙江
ZHEJIANG CHINA



公司简介 COMPANY PROFILE

Jinpu, An Enterprise in Zhejiang China, is established over 10 years, 50~100 staff, and an area coverage of 5,000+ square meters for 2 manufacturing plants. Our business scope covers manufacturing Sprocket, Gear, Timing Belt Pulley, Taper Bush, Industrial Chain, mainly focus on non-standard machining parts base on customers' drawings.



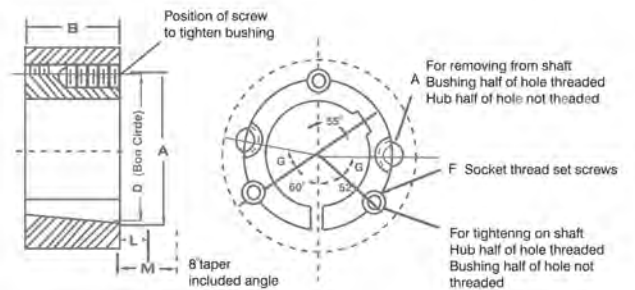


1008 – 3030 Taper Bushings

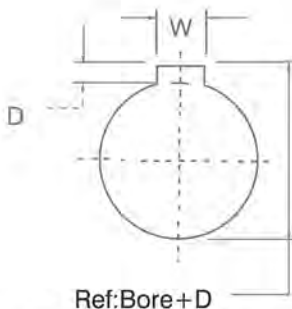
BUSH NO	SCREW TIGHTENING TORQUES(Nm)	SCREW	
		QUANTITY	SIZE
1008	5.6	2	1/4"
1108			BSW
1210	20	2	3/8"
1215			BSW
1310	20	2	3/8"
1315			BSW
1610	20	2	3/8"
1615			BSW
2012	31	2	7/16" BSW
2517	48	2	1/2" BSW
3020	90	2	5/8"
3030			BSW
3535	112	3	1/2"
4040			BSW
4545	170	3	5/8" BSW
5050	192	3	3/4" BSW
	271	3	7/8" BSW

BUSH NO	A	B	D	Set Screws
1008	1.386	7/8	1 21/64	1/4x1/2
1108	1.511	7/8	1 29/64	1/4x1/2
1210	1 7/8	1	1 3/4	3/8x5/8
1215	1 7/8	1 1/2	1 3/4	3/8x5/8
1310	2	1	1 7/8	3/8x5/8
1610	2 1/4	1	2 1/8	3/8x5/8
1615	2 1/4	1 1/2	2 1/8	3/8x5/8
2012	2 3/4	1 1/4	2 5/8	7/16x7/8
2517	3 3/8	1 3/4	3 1/4	1/2x1
2525	3 3/8	2 1/2	3 1/4	1/2x1
3020	4 1/4	2	4	5/8x1 1/4
3030	4 1/4	3	4	5/8x1 1/4

3535 – 5050 sizes



Two screws required
Three screws required



MM Bore Key way dimensions conform to ISO standard
Depth measured at centerline

1008 – 5050 Taper Bushings

BUSH NO	A	B	D	Set Screws	G
3535	5	3 1/2	4.83	1/2x1 1/2	40°
4040	5 3/4	4	5.54	5/8x1 3/4	40°
4545	6 3/8	4 1/2	6.13	3/4x2	40°
5050	7	5	6.72	7/8x2 1/4	37°

A

DIN 6885 GB 1095-1979

Bush No	Bore	Bushing Keyway	Bush No	Bore	Bushing Keyway	Bush No	Bore	Bushing Keyway	Bush No	Bore	Bushing Keyway	Bush No	Bore	Bushing Keyway	Bush No	Bore	Bushing Keyway
1008	10	3x1.40	1610	14	5x2.30	2517	20	6x2.80	3020	25	8x3.30	3535	35	10x3.30	4545	55	16x4.30
	11	4x1.80		16	5x2.30		22	6x2.80		28	8x3.30		38	10x3.30		60	18x4.40
	12			18			24			30			40	12x3.30		65	
	14	5x2.30		19	6x2.80		25	8x3.30		32			42	12x3.30		70	20x4.90
	16			20			28			35	10x3.30		38	10x3.30		45	
	18			22			30			40	12x3.30		42	12x3.30		48	14x3.80
	19	6x2.80		24	8x3.30		32	10x3.30		40	12x3.30		45	14x3.80		50	
	20			25	8x3.30		35	10x3.30		42	12x3.30		48	14x3.80		55	16x4.30
	22			28			38			45	16x4.30		50	16x4.30		60	18x4.40
	24	8x2.00		30			40	12x3.30		48	14x3.80		55	16x4.30		65	18x4.40
25	8x1.30	32	10x3.30	42	12x3.30	48	14x3.80	60	18x4.40	70	20x4.90						
1180	10	3x1.40	1615	35	10x3.30	2525	45	16x4.30	3030	55	16x4.30	4040	75	20x4.90	5050	110	
	11	4x1.80		38			48	14x3.80		60	18x4.40		80	22x5.40			
	12			40	12x3.30		50			65	18x4.40		85	22x5.40			
	14	5x2.30		42	12x2.20		55	16x4.30		70	20x4.90		90	25x5.40			
	16						60	18x4.40		75	20x4.90						
	18						20	6x2.80		25	8x3.30		40	12x3.30		60	18x4.40
	19	6x2.80					22			28	8x3.30		42	12x3.30		42	12x3.30
	20						24			30	8x3.30		35	10x3.30		45	14x3.80
	22						25			32			38	10x3.30		48	14x3.80
	24	8x3.30		14	5x2.30		30			40	12x3.30		42	12x3.30		50	16x4.30
25		16	5x2.30	32	10x3.30	45	16x4.30	48	14x3.80	55	16x4.30						
28	8x2.00	18		35	10x3.30	48	14x3.80	50	16x4.30	60	18x4.40						
1210	11	4x1.80	1615	19	6x2.80	2525	38		3030	45	16x4.30	4040	65	18x4.40	5050	95	
	12			20	6x2.80		40	12x3.30		48	14x3.80		70	20x4.90		100	28x6.40
	14	5x2.30		22			42	12x3.30		50			75	20x4.90		105	28x6.40
	16			24			45	16x4.30		55	16x4.30		80			110	
	18			25	8x3.30		48	14x3.80		60	18x4.40		85	22x5.40		115	
	19	6x2.80		28			50			65	18x4.40		90	25x5.40		120	32x7.40
	20			30			55	16x4.30		70	20x4.90		95			125	
	22			32	10x3.30		60	18x4.40		75	20x4.90		100	28x6.40			
	24			35	10x3.30												
	25	8x3.30		38													
28		40	12x3.30														
30		42	12x2.20														
32	10x3.30																
1215	11	4x1.80	2012	18		2525	32		3030	40	12x3.30	4040	60	18x4.40	5050	90	25x5.40
	12			19	6x2.80		42	12x3.30		48	14x3.80		70	20x4.90		100	28x6.40
	14	5x2.30		20			45	16x4.30		50			75	20x4.90		105	28x6.40
	16			22			48	14x3.80		55	16x4.30		80			110	
	18			24	8x3.30		50			60	18x4.40		85	22x5.40		115	
	19	6x2.80		25			60	18x4.40		65	18x4.40		90	25x5.40		120	32x7.40
	20			28			70	20x4.90		75	20x4.90		100	28x6.40			
	22			30													
	24			32	10x3.30												
	25	8x3.30		35	10x3.30												
28		38															
30		40	12x3.30														
32	10x3.30	42	12x2.20														
1310	14	5x2.30	2012	40	12x3.30	2525	45	16x4.30	3030	55	16x4.30	4040	75	20x4.90	5050	110	
	16			42	12x3.30		48	14x3.80		50			75	20x4.90		105	28x6.40
	18			45	16x4.30		50			60	18x4.40		80			110	
	19	6x2.80		48	14x3.80		60	18x4.40		65	18x4.40		90	25x5.40		115	
	20			50			70	20x4.90		75	20x4.90		100	28x6.40		120	32x7.40
	22																
	24																
25	8x3.30																
28																	
30																	
32	10x3.30																
35																	



劲普机械

Jinpu Mechanical

Address: Room 417-1, Building 8, No. 5-4 Yunhe Road, Chongxian Street,
Yuhang District, Hangzhou City, Zhejiang Province, China.

Tel: 86-(0)571-88277778

Fax: 86-(0)571-85853285

E-mail: info@jpmach.com

Website: www.jpmach.com