



劲普机械

Jinpu Mechanical

Agricultural Chains



杭州劲普传动机械有限公司

Hangzhou Jinpu Transmission Mechanical Co., Ltd

www.jpmach.com

中国·浙江

ZHEJIANG CHINA



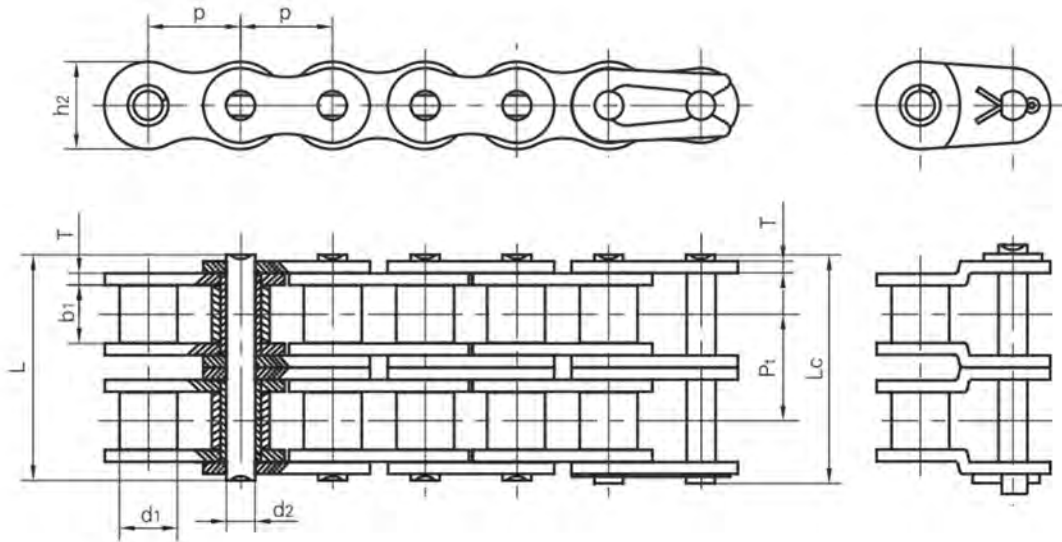
公司简介 COMPANY PROFILE

Jinpu, An Enterprise in Zhejiang China, is established over 10 years, 50~100 staff, and an area coverage of 5,000+ square meters for 2 manufacturing plants. Our business scope covers manufacturing Sprocket, Gear, Timing Belt Pulley, Taper Bush, Industrial Chain, mainly focus on non-standard machining parts base on customers' drawings.



农机链 Agricultural chains

手扶拖拉机链 Walking tractor chains



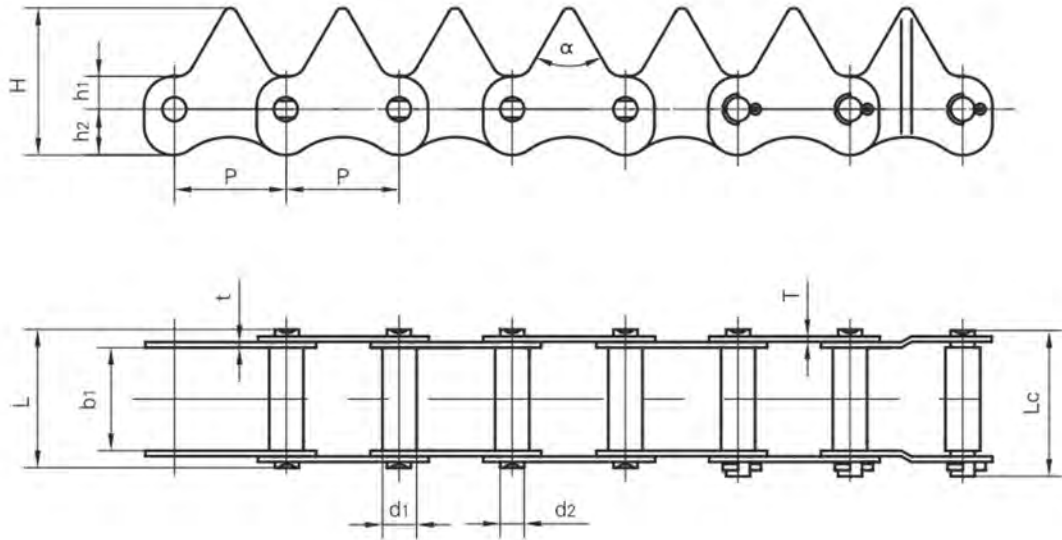
DIN/ISO 链号	节距 Pitch	滚子直径 Roller diameter	内节内宽 Width between inner plates	销轴直径 Pin diameter	销轴长度 Pin length		内链板高度 Inner plate depth	链板厚度 Plate thick- ness	排距 Transversal pitch	极限拉伸载荷 Ultimate tensile strength	平均拉伸载荷 Average tensile strength	每米长重 Weight per meter
DIN/ISO Chain No.	P	d1 max	b1 min	d2 max	L max	Lc max	h2 max	T max	Pt	Q min	Q0	q
	mm	mm	mm	mm	mm	mm	mm	mm	mm	kN/LB	kN	kg/m
08B-2	12.70	8.51	7.75	4.45	31.2	32.2	11.8	1.60	13.92	32.0/7273	38.7	1.34
12A-2	19.05	11.91	12.57	5.94	48.8	50.5	18.0	2.42	22.78	63.6/14455	82.1	2.92
12AH-2	19.05	11.91	12.57	5.94	55.3	57.1	18.0	3.25	26.11	63.6/14455	84.5	3.71

旋耕链推荐用12AH-2加强链!

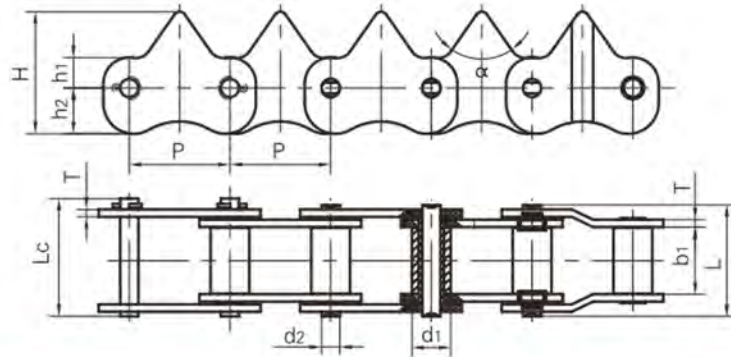
Recommend 12AH-2 used for rotary tillage chain!

12AH-2加强链可适用于任何硬土旋耕!

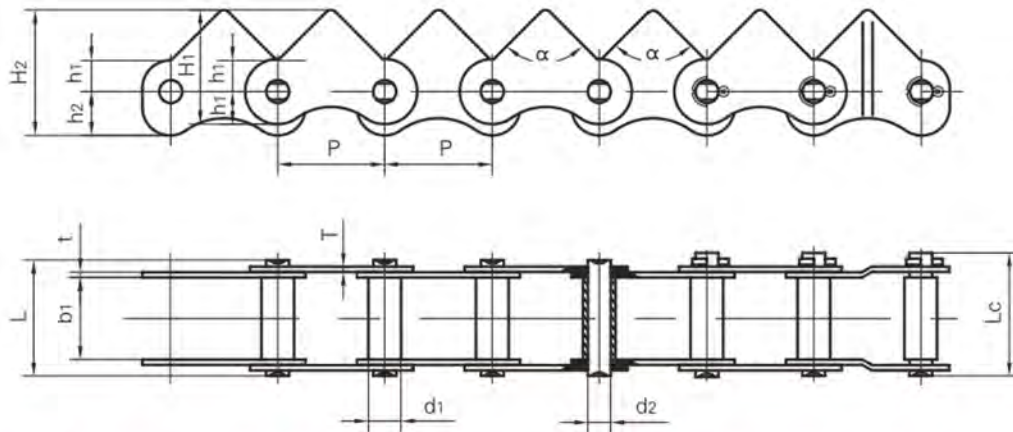
12AH-2 heavy duty chain suit for any solid soil!

农机链 Agricultural chains
**水稻收割机链
Rice harvester chains**


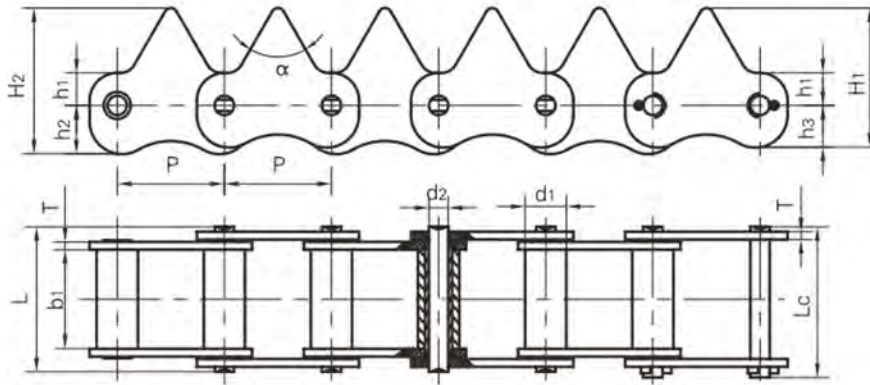
Vision Chain No.	节距 Pitch P	滚子直径 Roller diameter d ₁ max	内节内宽 Width between inner plates b ₁ min	销轴直径 Pin diameter d ₂ max	销轴长度 Pin length		齿形角 tooth angle α	链板尺寸 Plate dimension			链板厚度 Plate thickness t/T max	极限拉伸载荷 Ultimate tensile strength Q _{min}	平均拉伸载荷 Average tensile strength Q ₀
					L max	L _c max		h ₁	h ₂	H			
	mm	mm	mm	mm	mm	mm	mm	mm	mm	mm	mm	kN/LB	kN
3318.5-A0680106	33	10.1	18.5	7.0	29.0	31.0	70°	10	13	38	1.60	19.60/4455	22.5
3325-4LB1.35	33	10.1	25.0	7.0	37.0	39.5	90°	10	13	38	2.03	19.60/4455	24.0
3325-4LB1.45	33	10.1	25.0	7.0	35.6	37.6	70°	10	13	38	1.70	19.60/4455	22.5
3325-3572	33	10.1	25.0	7.0	36.8	39.0	70°	10	13	38	2.0/1.6	19.60/4455	23.0
3325-1E6410	33	10.1	25.0	7.0	36.8	39.0	90°	10	13	38	2.0/1.6	19.60/4455	23.0
3330-4LB1.45	33	10.1	30.0	7.0	40.3	42.7	60°	10	13	43	1.70	19.60/4455	22.5
3340-3572	33	10.1	40.0	7.0	51.8	54.0	70°	10	13	38	2.0/1.6	19.60/4455	23.0
3340-1E8570	33	10.1	40.0	7.0	49.2	52.5	90°	18	10	38	1.6/1.2	19.60/4455	22.0
3350-3555	33	10.1	50.0	7.0	60.2	62.5	70°	18	10	43	1.60	19.60/4455	22.5
3325-49200	33	12.8	25.0	7.0	35.9	38.7	70°	10	13	38	1.60	21.60/4909	24.5
3358-1E8350	33	10.1	58.0	7.0	68.0	72.0	90°	18	10	38	1.60	19.60/4455	22.5
3358-1E7070	33	10.1	58.0	7.0	68.0		90°	18	10	38	1.60	19.60/4455	22.5
3358-6365	33	10.1	58.0	7.0	68.2	70.5	70°	18	10	43	1.60	19.60/4455	22.5
3540-0875	35	10.1	40.0	7.0	50.2	52.5	70°	18	10	43	1.60	19.60/4455	22.5
3540-3572	35	10.1	40.0	7.0	50.2	52.5	70°	10	10	35	1.60	19.60/4455	22.5

农机链 Agricultural chains
**水稻收割机链
Rice harvester chains**


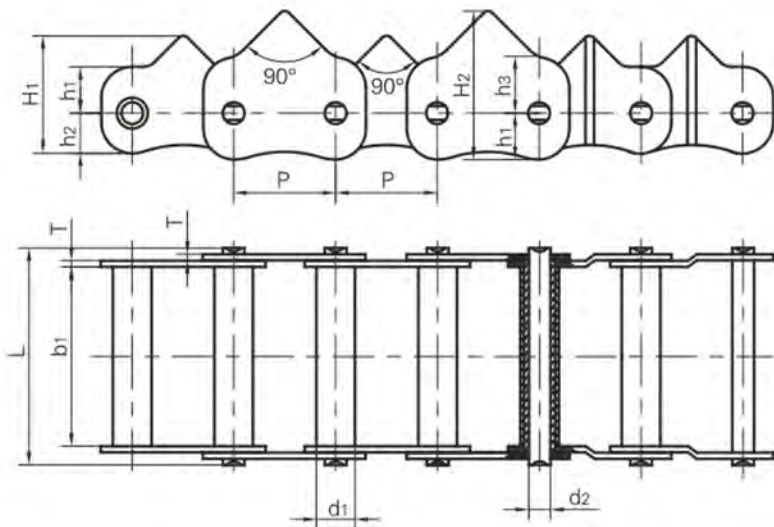
Vision Chain No.	节距 Pitch P	滚子直径 Roller diameter d1 max	内节内宽 Width between inner plates b1 min	销轴直径 Pin diameter d2 max	销轴长度 Pin length		齿形角 Tooth angle α	链板尺寸 Plate dimension			链板厚度 Plate thickness T	极限拉伸载荷 Ultimate tensile strength Q min	平均拉伸载荷 Average tensile strength Q0
					L max	Lc max		h1	h2	H			
	mm	mm	mm	mm	mm	mm		mm	mm	mm	mm	kN/LB	kN
3322-63201	33	12.7	22.0	5.94	36.4	38.4	70°	10	15	40	2.42	19.60/4455	22.5
3325-23160	33	12.8	25.0	7.0	35.9	38.7	60°	10	13	43	1.6	21.6/4909	24.5
3330-28361	33	12.8	30.0	7.0	40.9	43.7	60°	10	13	43	1.6	21.6/4909	24.5
3330-27150	33	12.8	30.0	7.0	40.9	43.7	70°	10	13	38	1.6	21.6/4909	24.5



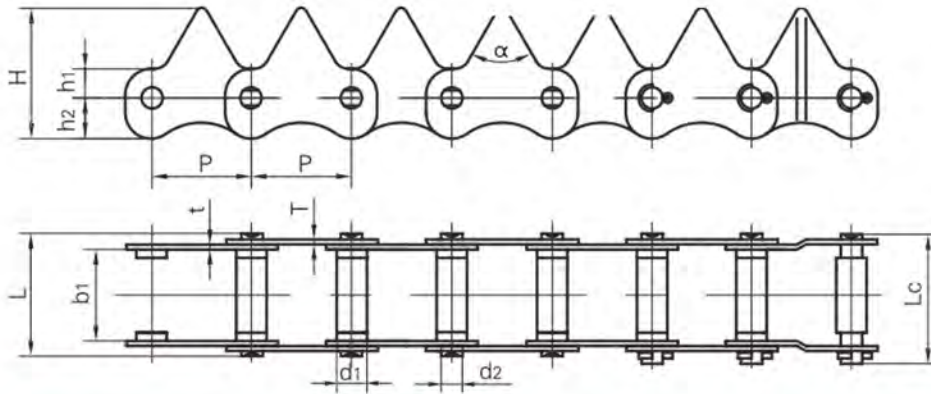
Vision Chain No.	节距 Pitch P	滚子直径 Roller diameter d1 max	内节内宽 Width between inner plates b1 min	销轴直径 Pin diameter d2 max	销轴长度 Pin length		齿形角 tooth angle α	链板尺寸 Plate dimension				链板厚度 Plate thickness t/T max	极限拉伸载荷 Ultimate tensile strength Q min	平均拉伸载荷 Average tensile strength Q0
					L max	Lc max		h1	H1	h2	H2			
	mm	mm	mm	mm	mm	mm		mm	mm	mm	mm	mm	kN/LB	kN
3325-1E8350	33	10.1	25	7.0	34.2	37.8	90°	10	35	13	38	1.6/1.2	19.6/4455	22.0
3325-1E6110	33	10.1	25	7.0	34.2	37.0	70°	10	35	13	38	1.6/1.2	19.6/4455	22.0

农机链 Agricultural chains
**水稻收割机链
Rice harvester chains**


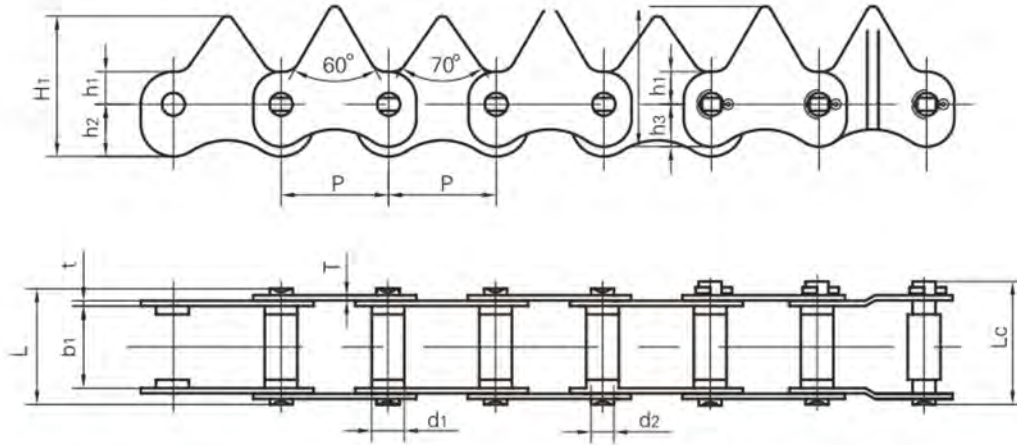
Vision Chain No.	节距	滚子直径	内节内宽	销轴直径	销轴长度		齿形角	链板尺寸					链板厚度	极限拉伸载荷	平均拉伸载荷
	Pitch	Roller diameter	Width between inner plates	Pin diameter	L	L _c	Tooth angle	Plate dimension					Plate thickness	Ultimate tensile strength	Average tensile strength
	P	d ₁ max	b ₁ min	d ₂ max	L max	L _c max	α	h ₁	h ₂	h ₃	H ₁	H ₂	T	Q _{min}	Q ₀
mm	mm	mm	mm	mm	mm	mm	mm	mm	mm	mm	mm	mm	mm	kN/LB	kN
3330-66401	33	12.7	30	5.94	36.2	46.4	60°	10	15	13	43	45	2.42	19.61/4457	22.5



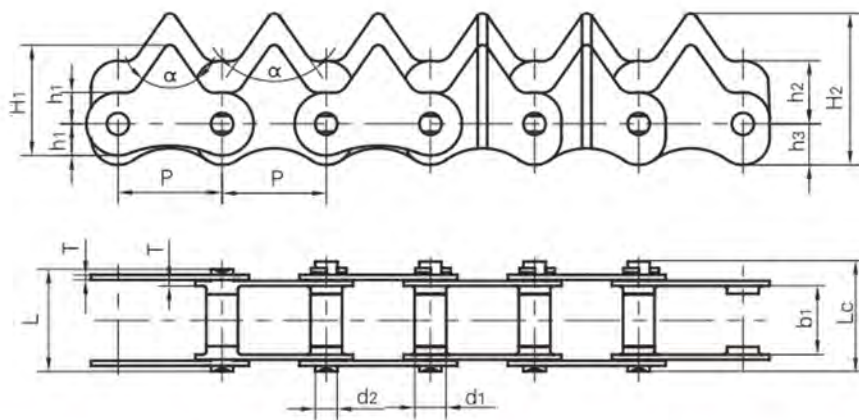
Vision Chain No.	节距	滚子直径	内节内宽	销轴直径	销轴长度		链板尺寸					链板厚度	极限拉伸载荷	平均拉伸载荷
	Pitch	Roller diameter	Width between inner plates	Pin diameter	L	L _c	Plate dimension					Plate thickness	Ultimate tensile strength	Average tensile strength
	P	d ₁ max	b ₁ min	d ₂ max	L max	L _c max	h ₁	h ₂	h ₃	H ₁	H ₂	T	Q _{min}	Q ₀
mm	mm	mm	mm	mm	mm	mm	mm	mm	mm	mm	mm	mm	kN/LB	kN
3558-48180	33	12.8	58	7	70.5		15	13	18	38	48	1.6	27.44/6236	28.5

农机链 Agricultural chains
**水稻收割机链
Rice harvester chains**


Vision Chain No.	节距	滚子直径	内节内宽	销轴直径	销轴长度		齿形角	链板尺寸			链板厚度	极限拉伸载荷	平均拉伸载荷
	Pitch	Roller diameter	Width between inner plates	Pin diameter	L	Lc	α	h1	h2	H	t/T	Ultimate tensile strength	Average tensile strength
	mm	d1 max	b1 min	d2 max	mm	mm		mm	mm	mm	mm	Q min	Q0
	mm	mm	mm	mm	mm	mm		mm	mm	mm	mm	KN/LB	kN
3318T-5010	33	10.1	18.0	7.0	28.5	31.4	70°	10	13	38	1.6	19.6/4455	22.5
3322T-52800	33	10.1	22.0	7.0	31.5	34.5	70°	10	13	38	1.6	17.64/4010	20.2
3322T-28241	33	12.1	21.3	7.0	31.8	34.1	60°	10	13	43	1.6	19.60/4455	22.5
3325T-23151	33	10.1	25.0	7.0	35.5	37.7	60°	10	13	43	1.6	19.60/4455	22.5
3325T-49201	33	10.1	25.0	7.0	35.5	37.7	90°	10	13	38	1.6	19.60/4455	22.5
3325T-3650	33	10.1	25.0	7.0	35.5	37.7	70°	10	13	38	1.6	19.60/4455	22.5
3330T-27151	33	10.1	30.0	7.0	40.5	42.8	70°	10	13	38	1.6	19.60/4455	22.5
3330T-28241	33	10.1	30.0	7.0	40.5	42.8	60°	10	13	43	1.6	19.60/4455	22.5
3330T-3501	33	10.1	30.0	7.0	40.5	42.8	70°	10	13	38	1.6	19.60/4455	22.5
3330T-59750	33	10.1	30.0	7.0	39.5	42.5	60°	10	13	43	1.6	19.60/4455	22.5
3335T-27151	33	10.1	35.0	7.0	45.5	47.8	70°	10	13	38	1.6	19.60/4455	22.5
3358T-3330	33	10.1	58.0	7.0	68.0	72.0	90°	18	10	38	1.6	19.60/4455	22.5
3358T-53871	33	10.1	58.0	7.0	68.0	70.8	75°	18	10	43	1.6	19.60/4455	22.5
3358T-6365	33	10.1	58.0	7.0	68.2	72.0	75°	18	10	43	1.6	19.60/4455	22.5
3330T-28242	33	12.8	30.0	7.0	40.5	42.8	60°	10	13	43	1.6	19.6/4455	22.5
3330T-27152	33	12.8	30.0	7.0	40.5	42.8	70°	10	13	38	1.6	19.6/4455	22.5
3350T-744	33	10.1	50.0	7.0	60.2	63.0	90°	18	10	38	1.6	19.6/4455	22.5
3325T-699	33	10.1	25.0	7.0	36.2	39.3	90°	10	13	38	2.0/1.6	19.6/4455	22.5
3325T-3817	33	10.1	25.0	7.0	36.2	39.0	90°	10	13	38	2.0/1.6	19.61/4455	22.5
3330T-3817	33	12.1	30.0	7.0	40.5	42.8	60°	10	13	43	1.6	19.61/4455	22.5
3330T-53981	33	12.8	30.0	7.0	40.5	42.8	70°	10	13	38	1.6	19.6/4455	22.5
3330T-5441	33	10.1	30.0	7.0	40.9	43.7	60°	10	13	43	1.6/2.0	19.61/4455	22.5

农机链 Agricultural chains
**水稻收割机链
Rice harvester chains**


Vision Chain No.	节距 Pitch	滚子直径 Roller diameter	内节内宽 Width between inner plates	销轴直径 Pin diameter	销轴长度 Pin length		链板尺寸 Plate dimension					链板厚度 Plate thickness	极限拉伸载荷 Ultimate tensile strength	平均拉伸载荷 Average tensile strength
	P	d_1 max	b_1 min	d_2 max	L max	L_c max	h_1	h_2	H_1	h_3	H_2	t/T max	Q min	Q ₀
	mm	mm	mm	mm	mm	mm	mm	mm	mm	mm	mm	mm	kN/LB	kN
3322T-63203	33	10.1	22	7.0	33.0	35.7	10	16	36	13	43	1.6/2.0	19.6/4455	23.0
3330T-66103	33	10.1	30	7.0	40.9	43.7	10	16	36	13	43	1.6/2.0	19.6/4455	23.0

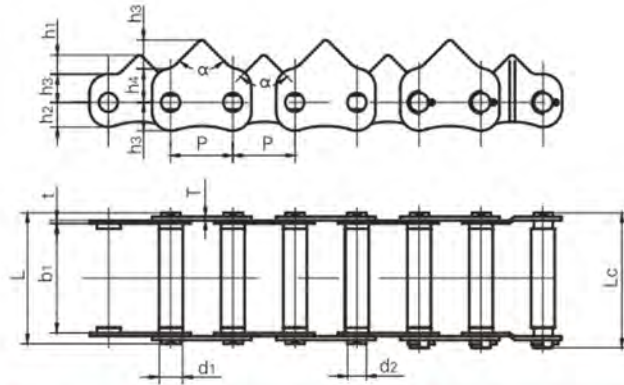


Vision Chain No.	节距 Pitch	滚子直径 Roller diameter	内节内宽 Width between inner plates	销轴直径 Pin diameter	销轴长度 Pin length		齿形角 Tooth angle	链板尺寸 Plate dimension					链板厚度 Plate thickness	极限拉伸载荷 Ultimate tensile strength	平均拉伸载荷 Average tensile strength
	P	d_1 max	b_1 min	d_2 max	L max	L_c max	α	h_1	h_2	h_3	H_1	H_2	T	Q min	Q ₀
	mm	mm	mm	mm	mm	mm		mm	mm	mm	mm	mm	mm	kN/LB	kN
3325T-1E8350	33	10.1	28	7.0	34.5	39	70°	10	20	13	35	48	1.6	19.60/4455	22.5

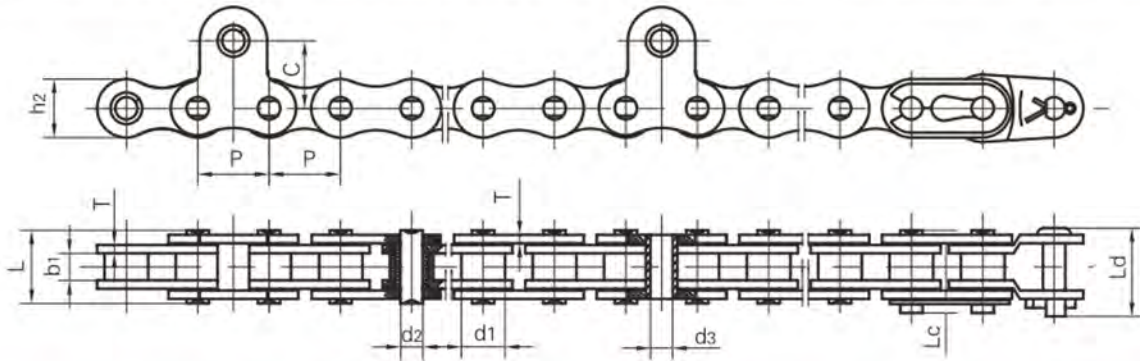
农机链 Agricultural chains

水稻收割机链

Rice harvester chains



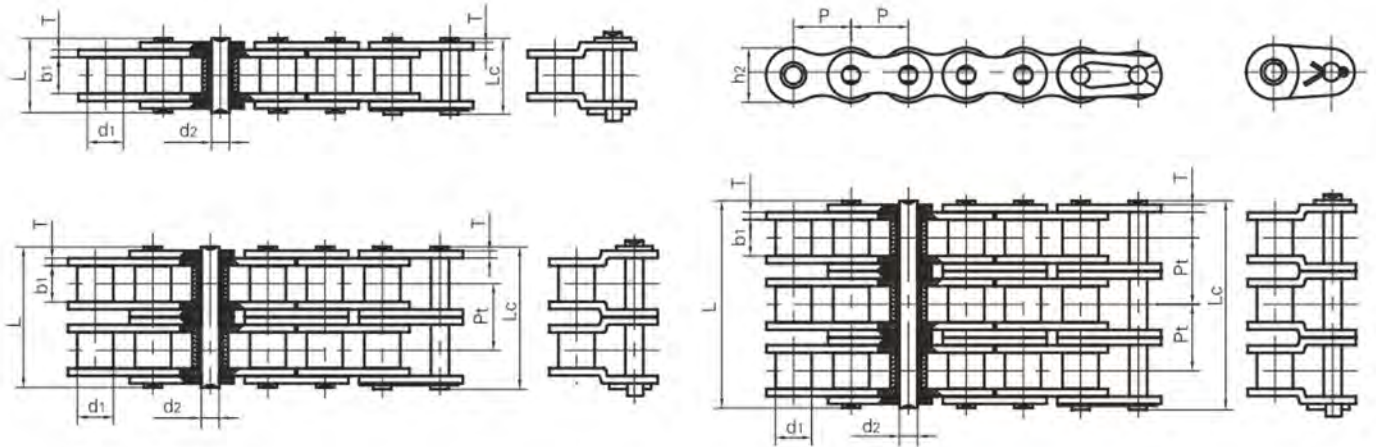
Vision Chain No.	节距 Pitch P	滚子直径 Roller diameter d1 max	内节内宽 Width between inner plates b1 min	销轴直径 Pin diameter d2 max	销轴长度 Pin length		齿形角 tooth angle α	链板尺寸 Plate dimension				链板厚度 Plate thickness t/T max	极限拉伸载荷 Ultimate tensile strength Q min	平均拉伸载荷 Average tensile strength Q0
					L max	Lc max		h1	h2	h3	h4			
					mm	mm		mm	mm	mm	mm			
3558T-48001	35	10.1	58	7.0	69.4	72.0	90°	10	13	15	18	1.6/2.03	19.6/4457	23.0
3558T-48001F1	35	12.6	58	10.0	69.4	71.2	90°	10	13	15	18	1.6/2.03	19.6/4457	23.0
3558T-48002	35	12.8	58	7.0	69.4	72.0	90°	10	13	15	18	1.6/2.03	19.6/4457	23.0



Vision Chain No.	节距 Pitch P	滚子直径 Roller diameter d1 max	内节内宽 Width between inner plates b1 min	销轴直径 Pin diameter d2 max	销轴长度 Pin length			内链板高度 Inner plate depth h2 max	链板厚度 Plate thickness T max	附板尺寸 Attachment dimension		极限拉伸载荷 Ultimate tensile strength Q min	平均拉伸载荷 Average tensile strength Q0	
					L max	Lc max	Ld max			ds nom	C			
					mm	mm	mm			mm	mm			mm
415F1	12.7	7.77	4.90	3.64	11.0	12.1	12.95	9.5	1.1	4.02	12.0	6.86/1559	8.1	
415F2	12.7	7.77	4.90	3.64	11.0	12.1	12.95	9.5	1.1	4.02	12.0	6.86/1559	8.1	
415F3	12.7	7.77	4.90	3.64	11.0	12.1	12.95	9.5	1.1	4.02	12.0	6.86/1559	8.1	
415F4	12.7	7.77	4.68	3.62	11.8	-	-	9.6	1.3	4.00	12.0	10.30/2341	12.1	
415F5	12.7	7.77	4.68	3.63	11.8	13.0	14.00	9.6	1.3	4.00	12.0	10.30/2341	12.1	
415SF1	12.7	7.77	4.80	3.96	13.0	14.5	-	10.4	1.5	4.50	12.0	13.93/3166	16.3	
415SF2	12.7	7.77	4.80	3.96	13.0	14.5	-	10.4	1.5	4.50	12.0	13.93/3166	16.3	
415SF3	12.7	7.77	4.80	3.96	12.8	14.3	15.70	12.0	1.5	4.02	12.0	15.69/3566	16.3	
415SF4	12.7	7.77	4.80	3.96	13.0	14.5	15.70	12.0	1.5	4.00	12.0	13.80/3136	16.3	

农机链 Agricultural chains

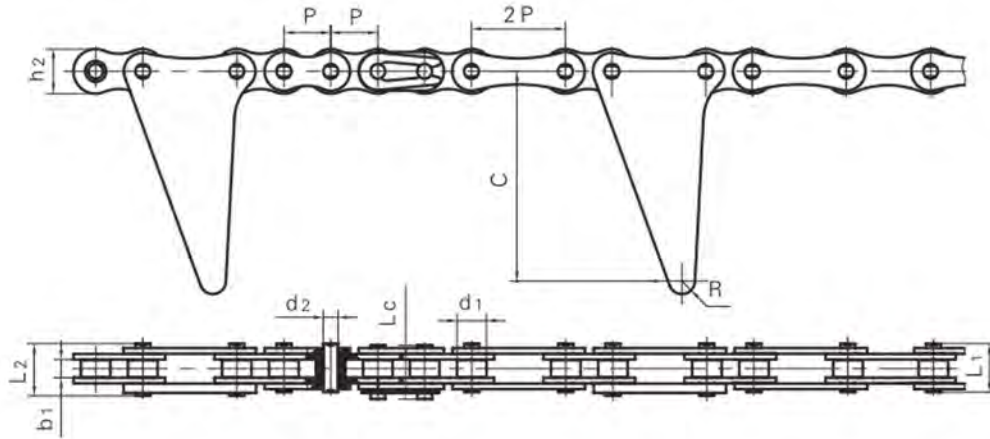
联合收割机链 Combine chains



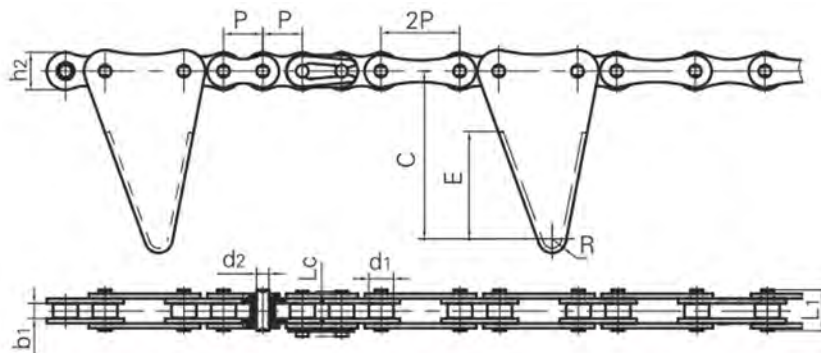
DIN/ISO 链号	节距 Pitch	滚子直径 Roller diameter	内节内宽 Width between inner plates	销轴直径 Pin diameter	销轴长度 Pin length		内链板高度 Inner plate depth	链板厚度 Plate thick- ness	排距 Transversal pitch	极限拉伸载荷 Ultimate tensile strength	平均拉伸载荷 Average tensile strength	每米长重 Weight per meter
DIN/ISO Chain No.	P	d1 max	b1 min	d2 max	L max	Lc max	h2 max	T max	Pt	Q min	Q0	q
	mm	mm	mm	mm	mm	mm	mm	mm	mm	kN/LB	kN	kg/m
08B-1	12.700	8.51	7.75	4.45	16.7	18.2	11.80	1.60	-	18.0/4091	19.4	0.69
08B-3	12.700	8.51	7.75	4.45	45.1	46.1	11.80	1.60	13.92	47.5/10795	57.8	2.03
10A-1	15.875	10.16	9.40	5.08	20.7	22.2	15.09	2.03	-	22.2/5045	29.4	1.02
10A-2	15.875	10.16	9.40	5.08	38.9	40.4	15.09	2.03	18.11	44.4/10091	58.1	2.00
12A-1	19.050	11.91	12.57	5.94	25.9	27.7	18.00	2.42	-	31.8/7227	41.5	1.50
16A-1	25.400	15.88	15.75	7.92	32.7	35.0	24.00	3.25	-	56.7/12886	69.4	2.60

农机链 Agricultural chains

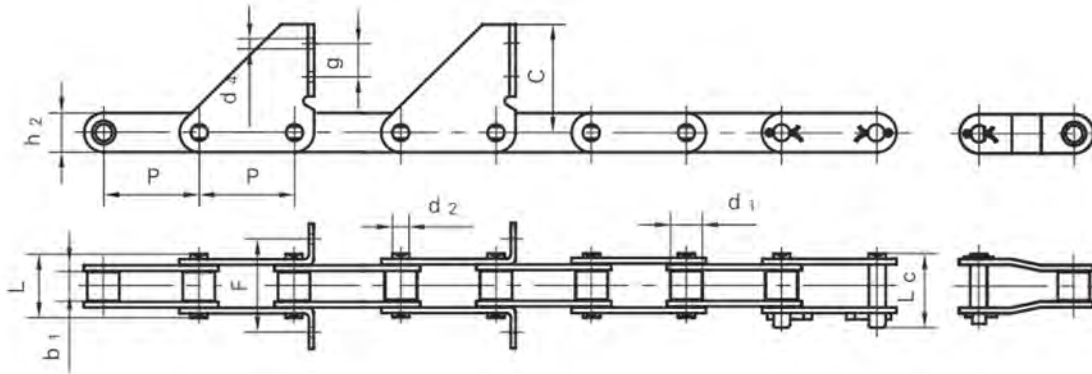
**联合收割机链
Combine chains**



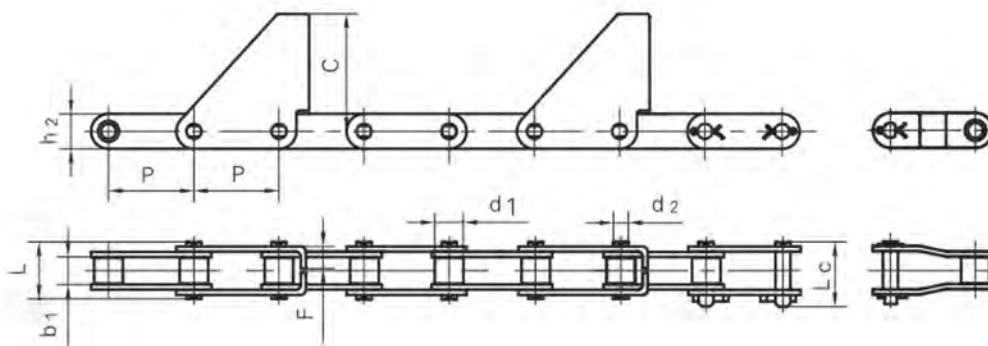
Vision Chain No.	节距 Pitch	滚子直径 Roller diameter	内节内宽 Width between inner plates	销轴直径 Pin diameter	销轴长度 Pin length			内链板高度 Inner plate depth	附板尺寸 Attachment dimension		极限拉伸载荷 Ultimate tensile strength	平均拉伸载荷 Average tensile strength
	P	d1 max	b1 min	d2 max	L1 max	L2 max	Lc max	h2 max	C	R	Q min	Q0
	mm	mm	mm	mm	mm	mm	mm	mm	mm	mm	kN/LB	kN
208AF2	12.7	7.95	4.80	3.96	13.1	14.7	14.5	12.0	56.5	3.5	13.8/3136	16.0



Vision Chain No.	节距 Pitch	滚子直径 Roller diameter	内节内宽 Width between inner plates	销轴直径 Pin diameter	销轴长度 Pin length		内链板高度 Inner plate depth	附板尺寸 Attachment dimension			极限拉伸载荷 Ultimate tensile strength	平均拉伸载荷 Average tensile strength
	P	d1 max	b1 min	d2 max	L1 max	Lc max	h2 max	C	E	R	Q min	Q0
	mm	mm	mm	mm	mm	mm	mm	mm	mm	mm	kN/LB	kN
208AF3	12.7	7.95	4.80	3.96	13.1	14.5	12.0	60.5	40.5	4.5	13.8/3136	16.0
208AF3A	12.7	7.95	7.85	3.96	16.6	17.8	12.0	60.5	40.5	4.5	13.8/3136	16.0

农机链 Agricultural chains
**联合收割机链
Combine chains**


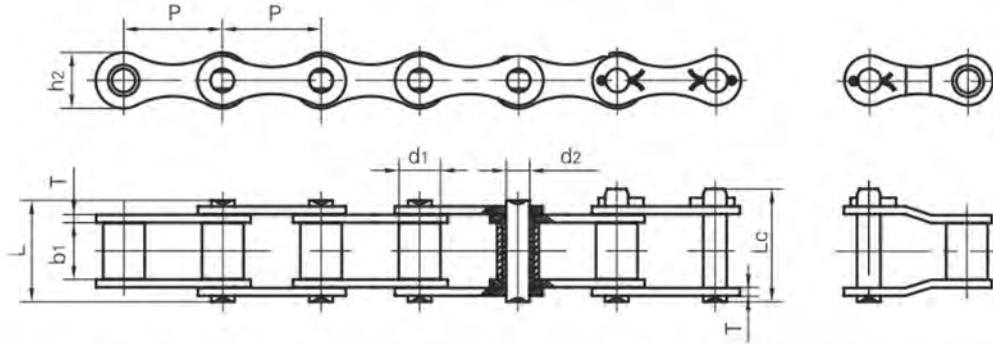
Vision Chain No.	节距	滚子直径	内节内宽	销轴直径	销轴长度		内链板高度	附板尺寸				极限拉伸载荷	平均拉伸载荷
	Pitch	Roller diameter	Width between inner plates	Pin diameter	L	L _c	Inner plate depth	Attachment dimension				Ultimate tensile strength	Average tensile strength
	mm	d ₁ max	b ₁ min	d ₂ max	L max	L _c max	h ₂ max	F	C	d ₄	g	Q min	Q ₀
	mm	mm	mm	mm	mm	mm	mm	mm	mm	mm	mm	kN/LB	kN
C210AF1	31.75	10.16	9.40	5.08	20.7	23.3	15.0	35.2	54.0	7.0	23.0	21.8/4955	28.5



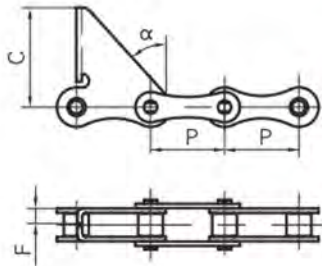
Vision Chain No.	节距	滚子直径	内节内宽	销轴直径	销轴长度		内链板高度	附板尺寸		极限拉伸载荷	平均拉伸载荷
	Pitch	Roller diameter	Width between inner plates	Pin diameter	L	L _c	Inner plate depth	Attachment dimension		Ultimate tensile strength	Average tensile strength
	mm	d ₁ max	b ₁ min	d ₂ max	L max	L _c max	h ₂ max	F	C	Q min	Q ₀
	mm	mm	mm	mm	mm	mm	mm	mm	mm	kN/LB	kN
C212AF1	38.10	11.91	12.57	5.94	25.9	28.3	18.0	10.92	56.0	31.1/7068	38.7

农机链 Agricultural chains

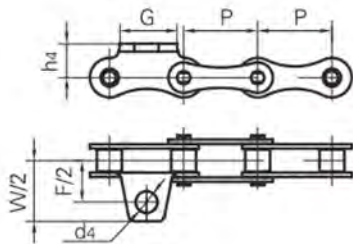
联合收割机链 Combine chains



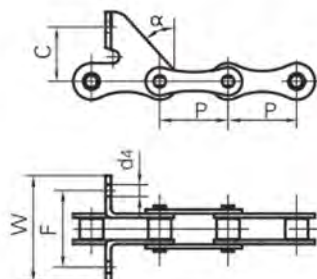
Vision Chain No.	节距	滚子直径	内节内宽	销轴直径	销轴长度		内链板高度	链板厚度	极限拉伸载荷	平均拉伸载荷	每米长重
	Pitch	Roller diameter	Width between inner plates	Pin diameter	Pin length	Inner plate depth	Plate thickness	Ultimate tensile strength	Average tensile strength	Weight per meter	
	P	d1 max	b1 min	d2 max	L max	Lc max	h2 max	T max	Q min	Q0	q
	mm	mm	mm	mm	mm	mm	mm	mm	kN/LB	kN	kg/m
ZGS38	38.0	16.0	22.00	9.0	39.0	43.0	21.5	3.0	40.0/9091	55.3	2.00



Vision Chain No.	P	C	F	α
	mm	mm	mm	
ZGS38F1	38.0	60.0	14.0	32.5°



Vision Chain No.	P	G	F	W	h4	d4
	mm	mm	mm	mm	mm	mm
ZGS38F2	38.0	17.2	59.0	78.1	19.6	11

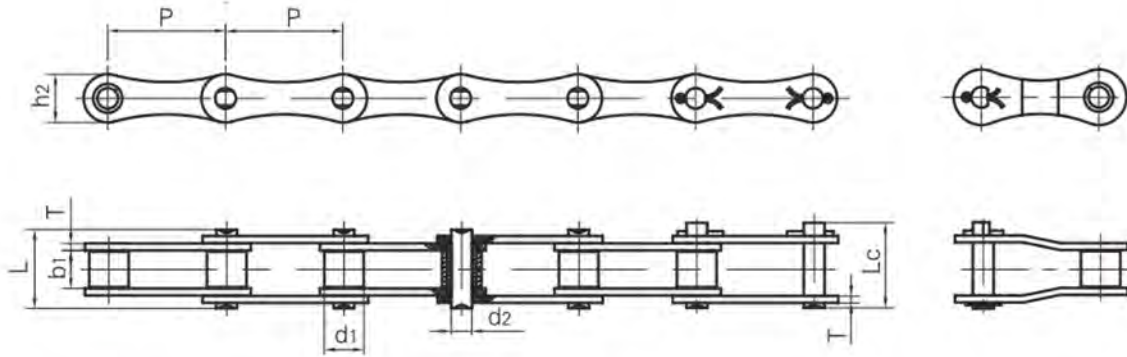


Vision Chain No.	P	C	F	W	α	d4
	mm	mm	mm	mm		mm
ZGS38F3	38.0	30.0	52.0	68.4	43.5°	6.5

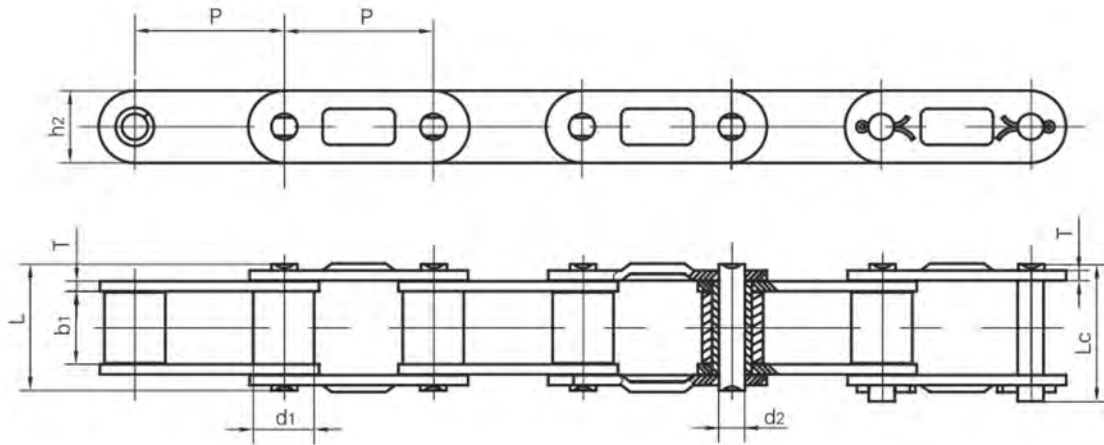
农机链 Agricultural chains

A型钢制农机链

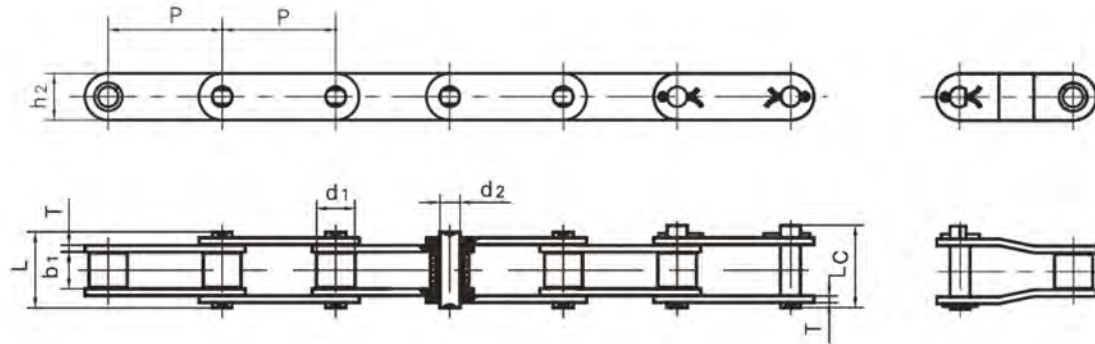
A type steel agricultural chains



Vision Chain No.	节距 Pitch	滚子直径 Roller diameter	内节内宽 Width between inner plates	销轴直径 Pin diameter	销轴长度 Pin length		链板尺寸 Plate dimension		极限拉伸载荷 Ultimate tensile strength	平均拉伸载荷 Average tensile strength	每米长重 Weight per meter
	P	d1 max	b1 min	d2 max	L max	Lc max	h2 max	T max	Q min	Q0	q
	mm	mm	mm	mm	mm	mm	mm	mm	kN/LB	kN	kg/m
A550	41.40	16.87	19.81	7.19	35.0	38.0	19.3	2.80	39.10/8886	51.2	1.79
A555	41.40	16.87	12.70	7.19	29.1	32.0	19.3	3.10	39.10/8886	56.0	1.60
A557	41.40	17.78	20.24	8.00	37.4	40.6	23.1	3.10	55.61/12639	74.3	2.45
A620	42.01	17.91	24.51	7.19	41.8	45.2	20.2	3.25	39.10/8886	55.1	2.18

农机链 Agricultural chains
**CA型钢制农机链
CA type steel agricultural chains**


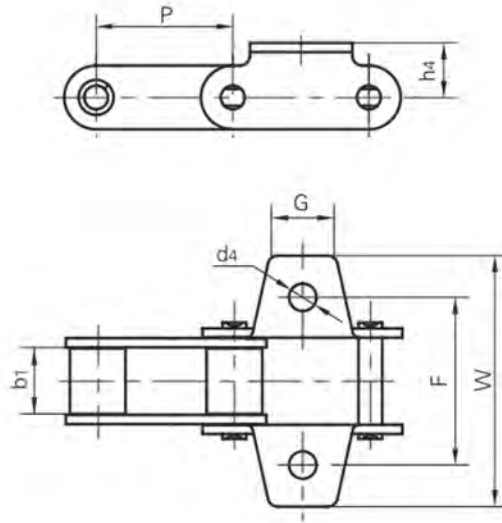
Vision Chain No.	节距 Pitch	滚子直径 Roller diameter	内节内宽 Width between inner plates	销轴直径 Pin diameter	销轴长度 Pin length		链板尺寸 Plate dimension		极限拉伸载荷 Ultimate tensile strength	平均拉伸载荷 Average tensile strength	每米长重 Weight per meter
	P	d1 max	b1 min	d2 max	L max	Lc max	h2 max	T max	Q min	Q0	q
	mm	mm	mm	mm	mm	mm	mm	mm	kN/LB	kN	kg/m
CA627	30.00	15.88	19.05	8.28	36.1	39.4	20.5	3.00	50.0/11247	55.0	2.51
CA550D	41.40	16.87	19.81	7.19	35.0	38.0	19.3	2.80	39.10/8886	51.2	1.94
CA555D	41.40	16.87	12.70	7.19	29.1	32.0	19.3	3.10	39.10/8886	56.0	1.72
CA557D	41.40	17.78	20.24	8.00	37.4	40.6	23.1	3.10	55.61/12639	74.3	2.60
CA620D	42.01	17.91	24.51	7.19	41.8	45.2	20.2	3.25	39.10/8886	55.1	2.35

农机链 Agricultural chains
**CA型钢制农机链
CA type steel agricultural chains**


Vision Chain No.	节距	滚子直径	内节内宽	销轴直径	销轴长度		链板尺寸		极限拉伸载荷	平均拉伸载荷	每米长重
	Pitch	Roller diameter	Width between inner plates	Pin diameter	L	Lc	h2	T	Ultimate tensile strength	Average tensile strength	Weight per meter
	P	d1 max	b1 min	d2 max	L max	Lc max	h2 max	T max	Q min	Q0	q
	mm	mm	mm	mm	mm	mm	mm	mm	kN/LB	kN	kg/m
CA550	41.40	16.87	19.81	7.19	35.0	38.0	19.30	2.80	39.10/8886	51.2	1.94
CA550V	41.40	16.80	19.05	8.28	36.1	39.1	22.00	3.00	55.00/12499	68.7	2.24
CA555	41.40	16.87	12.70	7.19	29.1	32.0	19.30	3.10	39.10/8886	56.0	1.72
CA557	41.40	17.78	20.24	8.00	37.4	40.6	23.10	3.10	55.61/12639	74.3	2.60
CA620	42.01	17.91	24.51	7.19	41.8	45.2	20.20	3.25	39.10/8886	55.1	2.35
CA2060H	38.10	11.91	12.70	5.94	29.2	31.6	18.00	3.25	31.10/6996	40.5	1.45
CA2063H	38.10	11.89	12.70	5.94	29.4	34.2	19.30	3.25	31.28/7109	40.5	1.65
CA550F4	41.40	14.35	20.24	7.14	35.0	38.5	19.05	2.80	50.00/11363	52.0	1.76
CA550F5	41.40	16.66	20.24	7.14	35.0	38.5	19.05	2.80	45.00/10227	52.0	1.97
38.4R	38.40	15.88	19.05	6.92	33.8	36.4	17.30	2.50	33.00/7480	41.2	1.70
38.4V	38.40	15.88	18.00	6.92	35.0	38.0	17.30	3.00	40.00/9091	50.0	1.83
55VD	41.40	17.90	23.00	8.22	39.3	42.4	20.00	2.80	42.00/9546	45.0	2.34
S62F3	41.91	19.05	25.40	8.00	42.0	44.6	26.00	3.00	47.00/10796	58.7	3.12
CA960	41.40	17.78	22.61	8.9	40.1	43.0	23.10	3.00	66.0/15160	72.6	6.94

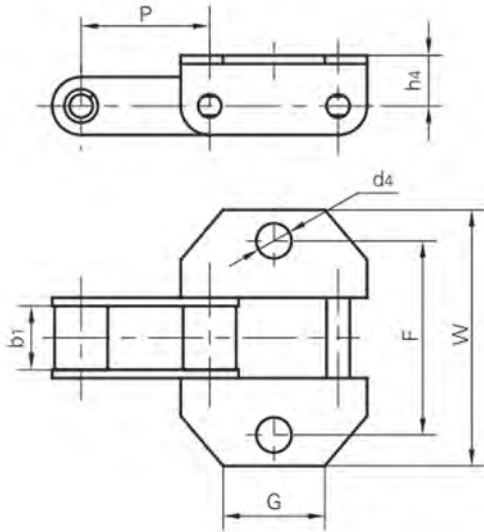
农机链 Agricultural chains

C型钢制农机链附件
C type steel agricultural chain with attac

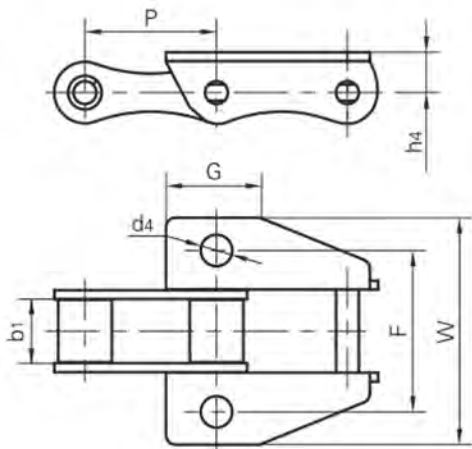


Vision Chain No.	P	b1	G	F	W	h4	d4
	mm	mm	mm	mm	mm	mm	mm
38.4VK1	38.4	18.00	22.00	57.5	82.00	15.4	9.00
38.4RK1F1	38.4	19.05	22.00	58.0	83.00	15.4	9.00
38.4VF3K1	38.4	18.00	20.00	58.0	79.00	15.4	9.00
38.4RK1F2	38.4	19.05	22.00	57.5	82.00	16.0	9.00
CA550F2	41.4	19.50	22.00	50.8	72.00	14.7	8.50
CA550K1F1	41.4	19.81	20.00	54.0	76.20	16.5	8.30
CA550K1F2	41.4	19.81	20.00	50.8	76.20	16.5	8.30
CA550K25	41.4	19.81	22.23	50.8	71.40	12.7	8.70
CA550VK1F1	41.4	19.05	27.00	50.8	75.54	16.5	8.50
CA550F4K19	41.4	20.24	22.23	50.8	77.80	12.7	6.75
CA550K29F1	41.4	19.81	22.20	50.8	75.40	12.7	10.30
CA550AK29M	41.4	19.81	26.20	50.8	75.40	16.5	10.24
CA550K1F7	41.4	19.81	26.20	50.8	75.40	16.5	8.40

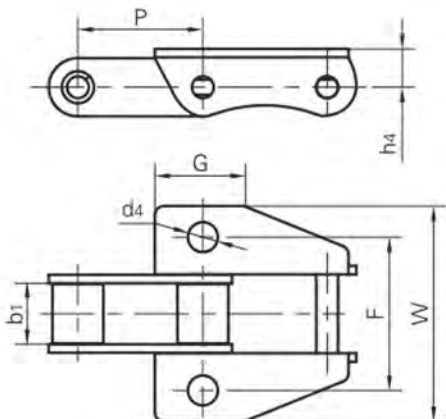
C型钢制农机链附件
C type steel agricultural chain with attac



Vision Chain No.	P	b1	G	F	W	h4	d4
	mm	mm	mm	mm	mm	mm	mm
38.4RK1	38.4	19.05	29.1	58.0	76.5	15.1	10.5
38.4VK1F1	38.4	18.00	29.1	57.0	75.0	15.1	8.5
38.4VBK1	38.4	19.05	29.0	58.0	87.0	14.0	10.5
38.4VBF3	38.4	19.05	40.0	57.0	86.0	16.0	10.3
38.4VK1F2	38.4	18.00	29.1	57.0	75.0	15.1	10.5
38.4VK1F3	38.4	18.00	29.1	57.0	75.0	15.1	9.0
CA550HK1	41.4	20.00	22.6	54.0	71.5	12.7	8.5
CA550VK18	41.4	19.05	22.6	54.0	71.6	12.7	8.5



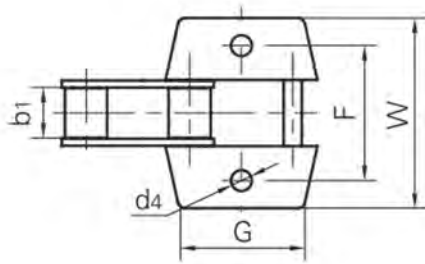
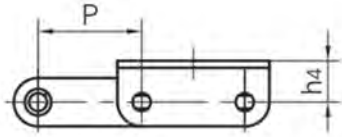
Vision Chain No.	P	b1	G	F	W	h4	d4
	mm	mm	mm	mm	mm	mm	mm
A557K39M	41.4	20.24	29.5	56.7	77.8	13.5	10.1
A557K39MF2	41.4	20.24	29.5	56.7	77.8	13.5	10.5
A557K39MF1	41.4	20.24	31.0	57.15	78.0	14.2	10.5
A557K35M	41.4	20.24	30.0	50.8	73.5	14.1	10.31
A557K39MF4	41.4	20.24	29.5	56.7	77.8	13.5	10.3



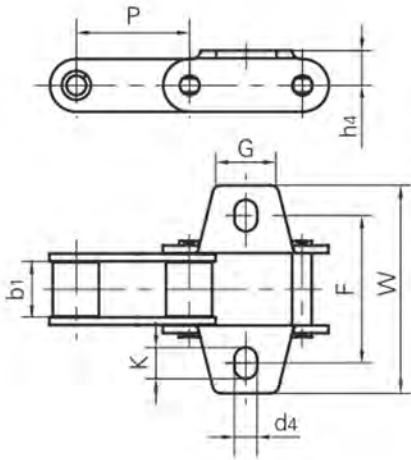
Vision Chain No.	P	b1	G	F	W	h4	d4
	mm	mm	mm	mm	mm	mm	mm
CA550K39M	41.4	19.81	29.5	50.80	71.4	12.7	9.8
CA550K39MF3	41.4	19.81	29.5	50.80	71.4	12.7	10.3
CA550HK39M	41.4	20.00	31.0	57.00	78.0	14.2	10.5
CA557K39M	41.4	20.24	29.5	50.80	71.4	12.7	9.8
CA557K39MF1	41.4	20.24	22.0	57.15	77.6	14.0	9.9
CA557K39MF3	41.4	20.24	31.0	57.00	78.0	14.5	10.3

农机链 Agricultural chains

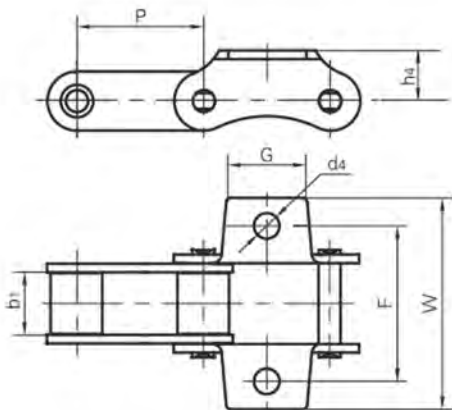
C型钢制农机链附件
C type steel agricultural chain with attac



Vision Chain No.	P	b1	G	F	W	h4	d4
	mm	mm	mm	mm	mm	mm	mm
CA550K1F4	41.4	19.81	48.5	54.0	76.20	16.5	8.5
CA550VK1F3	41.4	19.05	56.0	54.0	75.54	16.5	8.5
CA550K1F6	41.4	19.81	48.5	54.0	76.20	16.5	10.5
CA550K18	41.4	19.81	22.6	54.0	71.60	12.7	8.5
CA620A1F1	42.01	24.51	63.5	67.7	91.70	16.1	10.5



Vision Chain No.	P	b1	G	F	W	h4	d4	K
	mm	mm	mm	mm	mm	mm	mm	mm
CA550K1	41.4	19.81	22.00	52.5	76.2	12.7	8.3	10.0
CA550K1F3	41.4	19.81	22.00	54.0	76.2	12.7	8.3	11.5
CA550F4K19F1	41.4	20.24	22.23	52.5	76.2	12.7	8.3	10.0
CA550K1F9	41.4	19.81	22.00	50.8	76.2	12.7	8.3	11.7
CA555K1	41.4	12.7	22.00	52.5	76.2	12.7	8.3	10.0

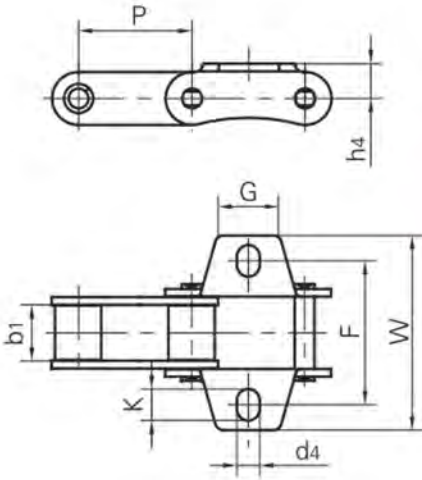


Vision Chain No.	P	b1	G	F	W	h4	d4
	mm	mm	mm	mm	mm	mm	mm
CA550F1	41.4	19.81	22.23	53.95	70.6	12.7	9.90
CA550K19F3	41.4	19.81	25.5	50.80	68.4	16.5	8.33
CA550VK19F1	41.4	19.05	25.5	50.80	67.8	16.5	8.33
CA557AK4	41.4	20.24	26.19	50.80	69.4	16.5	8.33

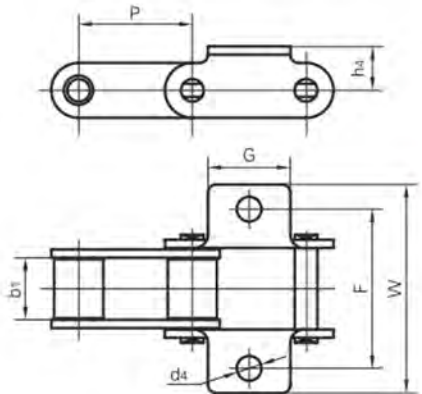
农机链 Agricultural chains

C型钢制农机链附件

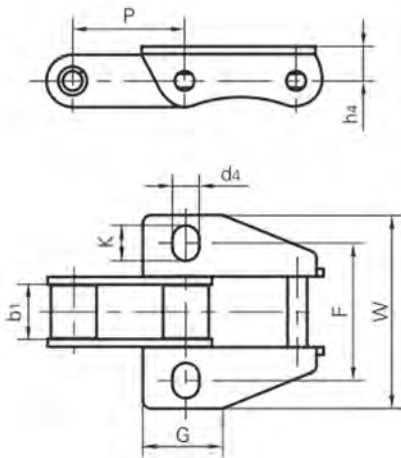
C type steel agricultural chain with attac



Vision Chain No.	P	b1	G	F	W	h4	d4	K
	mm	mm	mm	mm	mm	mm	mm	mm
CA550K19	41.4	19.81	22.0	50.8	71.0	12.7	8.3	11.0
CA550K19F1	41.4	19.81	22.0	54.0	71.0	12.7	8.3	11.0
CA550K19F2	41.4	19.81	25.4	50.8	71.0	12.7	8.4	11.5



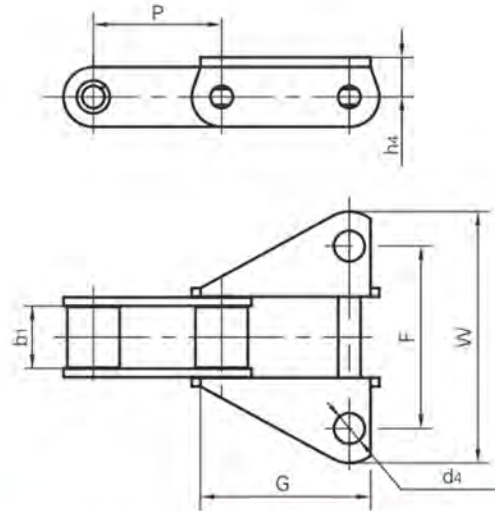
Vision Chain No.	P	b1	G	F	W	h4	d4
	mm	mm	mm	mm	mm	mm	mm
55VVK1	41.4	23.00	30.0	50.8	76.0	16.0	9.0
CA550A1F5	41.4	19.81	38.1	74.6	105.6	12.7	10.3
CA 57A1F1	41.4	20.24	38.1	74.6	105.6	12.7	10.3



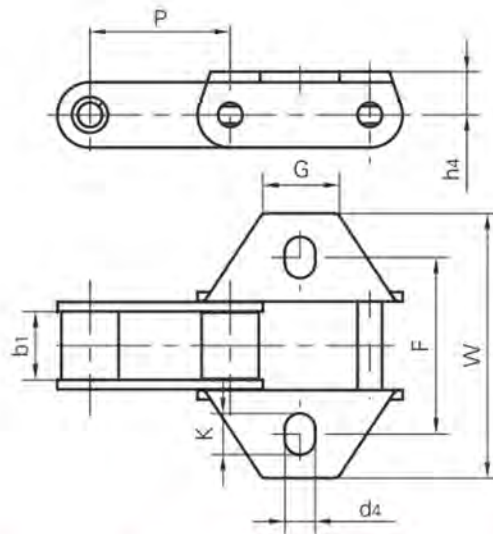
Vision Chain No.	P	b1	G	F	W	h4	d4	K
	mm	mm	mm	mm	mm	mm	mm	mm
CA550K39MF2	41.4	19.81	29.5	50.8	71.4	12.7	9.9	13
CA557K39MF2	41.4	20.24	29.5	50.8	71.4	12.7	9.9	13

农机链 Agricultural chains

C型钢制农机链附件
C type steel agricultural chain with attac



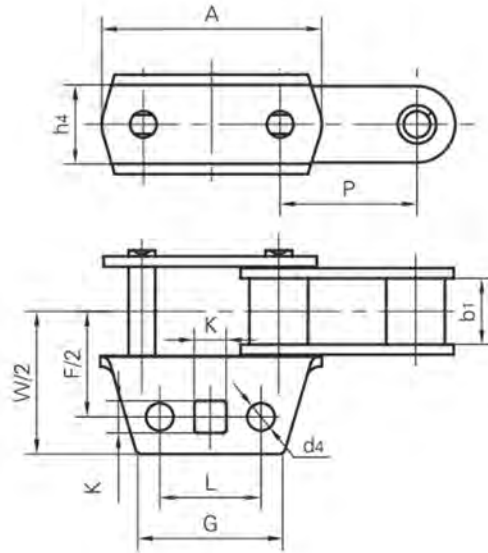
Vision Chain No.	P	b ₁	G	F	W	h ₄	d ₄
	mm	mm	mm	mm	mm	mm	mm
CA557F1	41.4	20.24	60.0	53.94	76.2	14.6	9.9



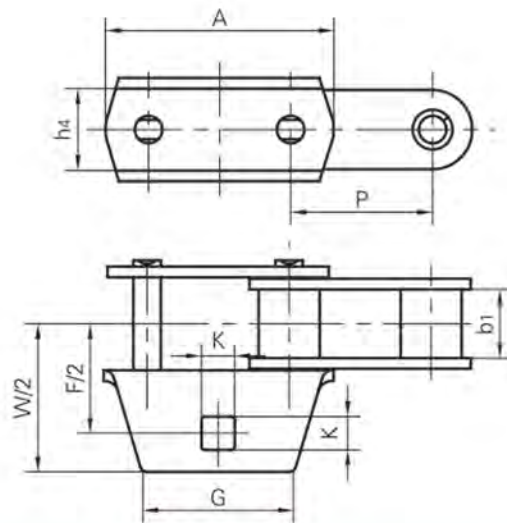
Vision Chain No.	P	b ₁	G	F	W	h ₄	d ₄	K
	mm	mm	mm	mm	mm	mm	mm	mm
CA557F2	41.4	20.24	22.23	53.98	79.3	14.3	9.9	13.6

农机链 Agricultural chains

C型钢制农机链附件
C type steel agricultural chain with attac



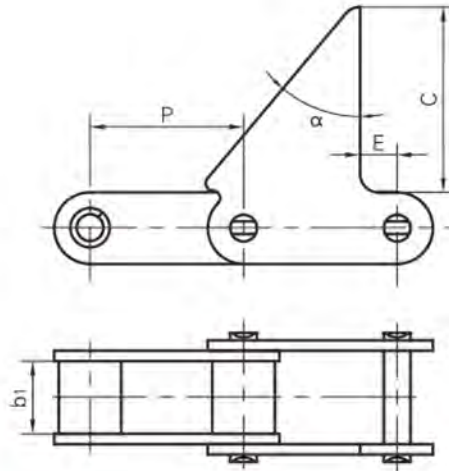
Vision Chain No.	P	b ₁	A	L	G	F	W	h ₄	d ₄	K
	mm	mm	mm	mm	mm	mm	mm	mm	mm	mm
CA557F3	41.4	20.24	66.55	30.22	44.45	64.14	86.6	23.9	8.25	9.7



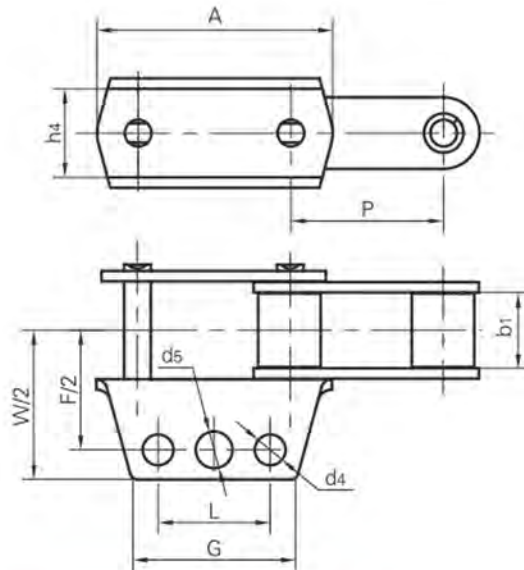
Vision Chain No.	P	b ₁	A	G	F	W	h ₄	K
	mm	mm	mm	mm	mm	mm	mm	mm
CA557F4	41.4	20.24	66.55	44.45	64.14	86.6	23.9	9.7

农机链 Agricultural chains

C型钢制农机链附件
C type steel agricultural chain with attac



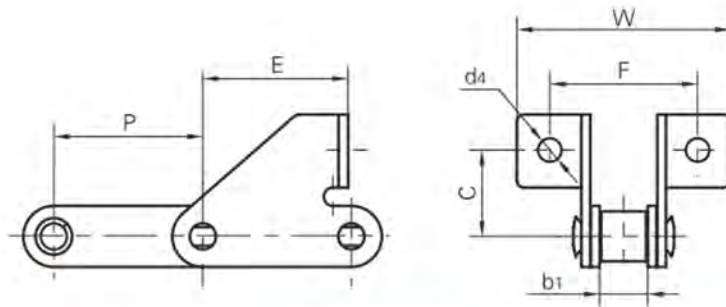
Vision Chain No.	P	b ₁	C	α	E
	mm	mm	mm		mm
CA550F6	41.4	19.81	50.0	40°	10



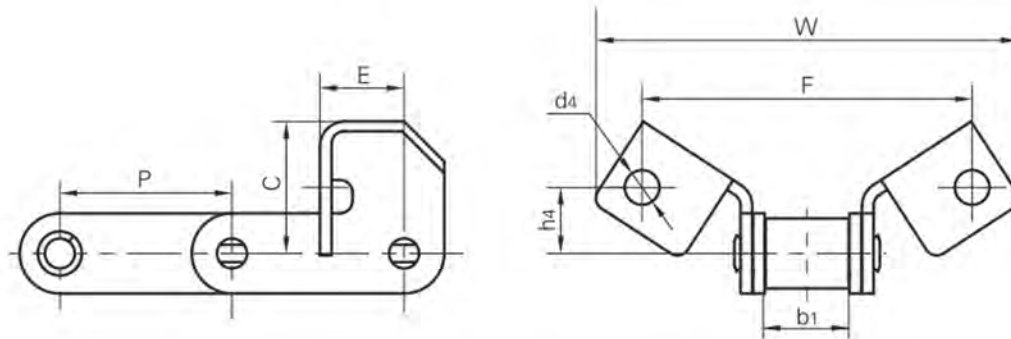
Vision Chain No.	P	b ₁	A	L	G	F	W	h ₄	d ₄	d ₅
	mm	mm	mm	mm	mm	mm	mm	mm	mm	mm
CA550F7	41.4	19.81	63.5	30.22	44.45	64.1	81.4	23.88	8.25	9.9

农机链 Agricultural chains

C型钢制农机链附件
C type steel agricultural chain with attac



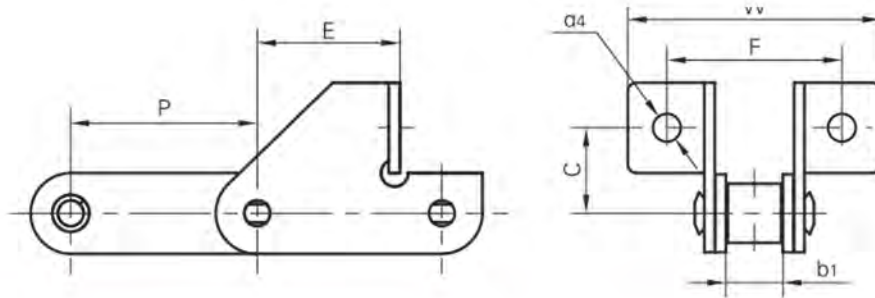
Vision Chain No.	P	b ₁	E	F	W	C	d ₄
	mm	mm	mm	mm	mm	mm	mm
38.4RSD	38.4	19.05	38.4	52.0	71.0	24.5	8.4
38.4VSD	38.4	18.00	38.4	52.0	71.0	24.0	8.4
38.4VBSD	38.4	19.05	38.4	52.0	71.0	25.0	8.4
38.4VBSDF1	38.4	19.05	38.4	52.0	73.0	24.0	8.3
38.4VBSDF2	38.4	19.05	38.4	52.0	73.0	24.0	8.4
38.4VBSDF3	38.4	15.88	38.4	52.0	70.1	24.5	8.5
CA550SD	41.1	19.81	36.9	47.6	68.2	31.0	8.7
CA550SDF4	41.4	19.81	36.9	47.6	89.0	31.0	8.7
CA550SDF10	41.4	19.81	37.7	47.6	68.2	31.0	8.5



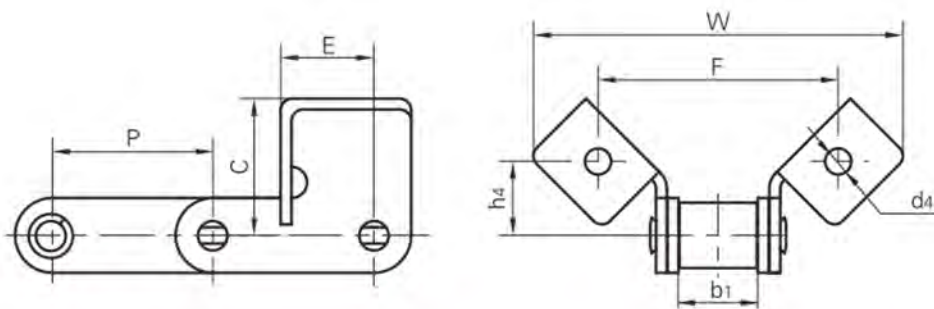
Vision Chain No.	P	b ₁	E	C	F	W	h ₄	d ₄
	mm	mm	mm	mm	mm	mm	mm	mm
CA550F14	41.4	19.80	20.24	31.75	79.40	101.60	15.90	8.33
CA550F16	41.4	20.00	22.30	39.00	78.00	109.20	17.70	8.00
CA550VF14	41.4	19.05	20.24	31.75	79.40	101.60	15.90	8.33

农机链 Agricultural chains

C型钢制农机链附件
C type steel agricultural chain with attac



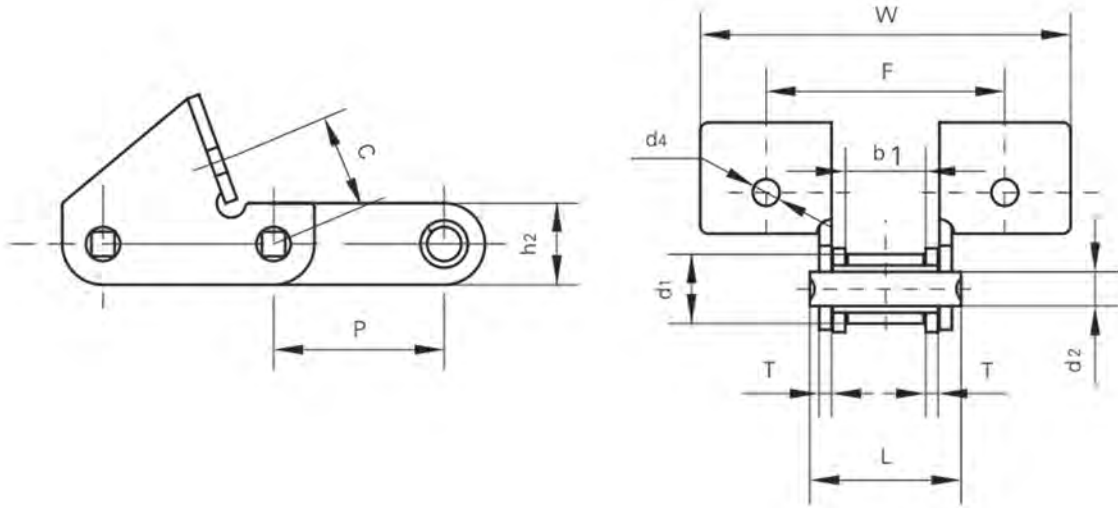
Vision Chain No.	P	b ₁	E	F	W	C	d ₄
	mm	mm	mm	mm	mm	mm	mm
CA550SDF1	41.4	19.81	35.0	58.0	85.0	20.5	8.5
CA550SDF2	41.4	19.81	32.5	62.0	84.0	20.0	8.6
CA550SDF3	41.4	19.81	35.0	58.0	85.0	20.5	6.5
CA550SDF6	41.4	19.81	33.0	58.0	85.0	20.5	6.5
CA550SDF7	41.4	19.81	32.5	62.0	89.0	20.0	8.6
CA550F5SD	41.1	20.24	33.0	57.8	83.5	20.0	6.7
CA550F8SD	41.4	19.81	33.0	58.0	85.9	20.5	6.5
CA550SDF5	41.4	19.81	34.0	63.0	89.0	20.0	8.0
CA550SDF11	41.4	19.81	31.0	58.0	85.0	20.5	8.5
CA550SDF12	41.4	19.81	31.0	58.0	85.0	20.5	6.5



Vision Chain No.	P	b ₁	E	C	F	W	h ₄	d ₄
	mm	mm	mm	mm	mm	mm	mm	mm
CA550F15	41.4	19.81	24.00	35.26	61.98	95.25	19.05	6.73
CA550F17	41.4	19.81	23.68	40.89	114.30	143.70	20.57	9.91
CA550VF13	41.4	19.05	25.40	59.60	79.35	135.45	28.60	8.74
CA550F18	41.4	19.81	24.00	35.26	61.98	95.25	19.05	8.33

农机链 Agricultural chains

C型钢制农机链附件
C type steel agricultural chain with attac

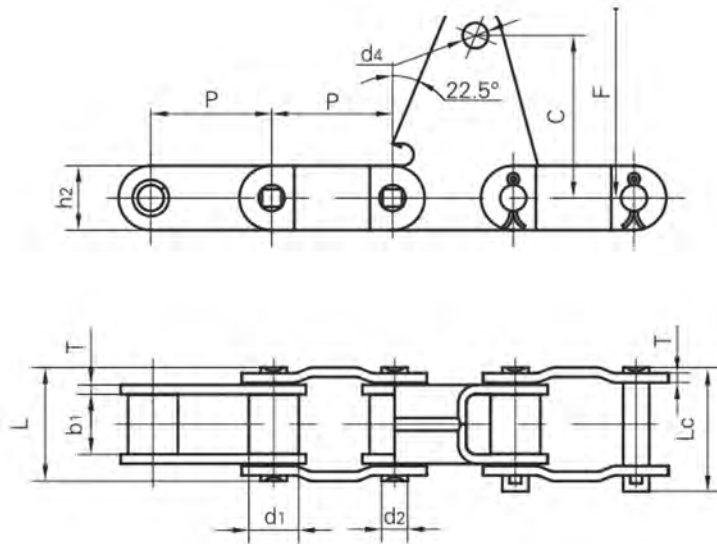


Vision Chain No.	节距	滚子直径	内节内宽	销轴直径	销轴长度	链板高度	链板厚度	极限拉伸载荷	每米长重
	Pitch	Roller diameter	Width between inner plates	Pin diameter	Pin length	Plate depth	Plate thickness	Ultimate tensile strength	Weight per meter
	P	d ₁ max	b ₁ min	d ₂ max	L max	h ₂ max	T	Q min	q
	mm	mm	mm	mm	mm	mm	mm	kN/LB	kg/m
CA550VF1	41.4	16.80	19.50	8.28	36.7	19.80	3.0	44/9898	2.50
CA550F10	41.4	16.70	19.81	7.14	36.2	19.05	3.0	53/11922	2.38
CA550HF4	41.4	16.74	20.00	7.14	36.0	19.10	3.0	57.78/12998	2.73

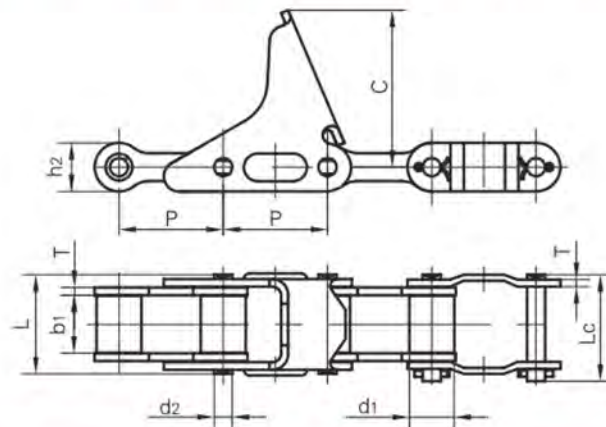
Vision Chain No.	P	C	F	W	d ₄
	mm	mm	mm	mm	mm
CA550VF1	41.4	23.4	58	90.0	6.5
CA550F10	41.4	23.4	58	90.0	6.5
CA550HF4	41.4	23.4	58	90.0	6.5

农机链 Agricultural chains

C型钢制农机链附件
C type steel agricultural chain with attac



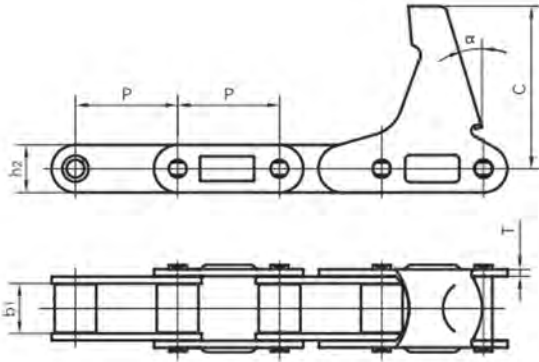
Vision Chain No.	节距	滚子直径	内节内宽	销轴直径	销轴长度		链板尺寸					极限拉伸载荷	每米长重
	Pitch	Roller diameter	Width between inner plates	Pin diameter	Pin length		Plate dimension					Ultimate tensile strength	Weight per meter
	P	d1 max	b1 min	d2 max	L max	Lc max	h2 max	T max	C	F	d4	Q min	q
	mm	mm	mm	mm	mm	mm	mm	mm	mm	mm	mm	kN/LB	kg/m
38.4VBF2	38.4	15.88	19.05	8.28	36.1	39.1	20.5	3.0	51.6	65	8.1	50/11247	2.33



Vision Chain No.	节距	滚子直径	内节内宽	销轴直径	销轴长度		附板尺寸			极限拉伸载荷	每米长重
	Pitch	Roller diameter	Width between inner plates	Pin diameter	Pin length		Attachment dimension			Ultimate tensile strength	Weight per meter
	P	d1 max	b1 min	d2 max	L max	Lc max	h2 max	T max	C max	Q min	q
	mm	mm	mm	mm	mm	mm	mm	mm	mm	kN/LB	kg/m
CA555F1	41.4	17.85	23.0	8.2	39.5	42.4	20.0	3.0	84.0	39.1/8795	2.99
CA555F2	41.4	17.85	23.0	8.2	39.5	42.4	20.0	3.0	62.5	39.1/8795	2.82

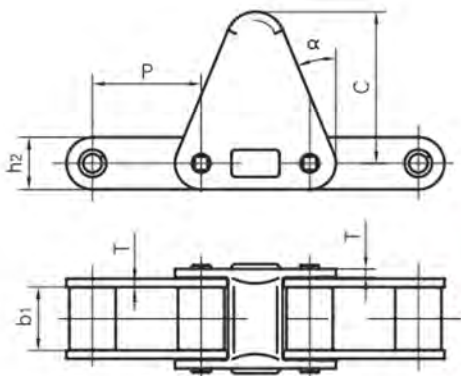
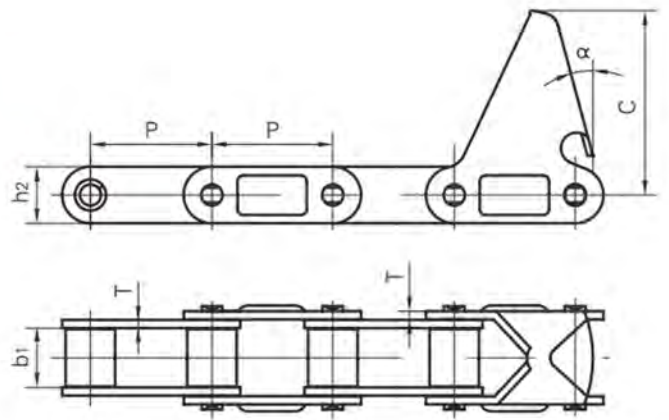
农机链 Agricultural chains

C型钢制农机链附件
C type steel agricultural chain with attac



Vision Chain No.	P	b1	h2	T	C	α
	mm	mm	mm	mm	mm	
CA550-LV41N	41.4	19.81	19.3	2.8	68.5	15°

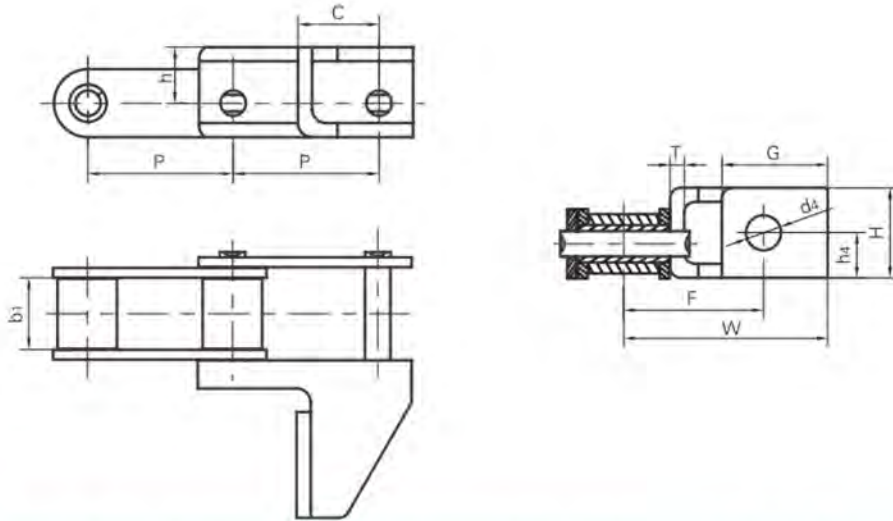
Vision Chain No.	P	b1	h2	T	C	α
	mm	mm	mm	mm	mm	
CA550-C6E	41.40	19.81	19.30	2.80	55.6	20°
CA550-C11E	41.40	19.81	19.30	2.80	63.5	15°
CA550-C11EJ	41.40	19.81	19.30	2.80	66.0	17°
CA550-C13E	41.40	19.81	19.30	2.80	92.0	15°
CA550F4-C6E	41.40	20.24	19.05	2.80	55.6	22.5°
CA620-C13E	42.01	24.51	20.20	3.25	92.0	15°
CA550-C6EF1	41.4	19.81	19.3	2.8	50.0	15°



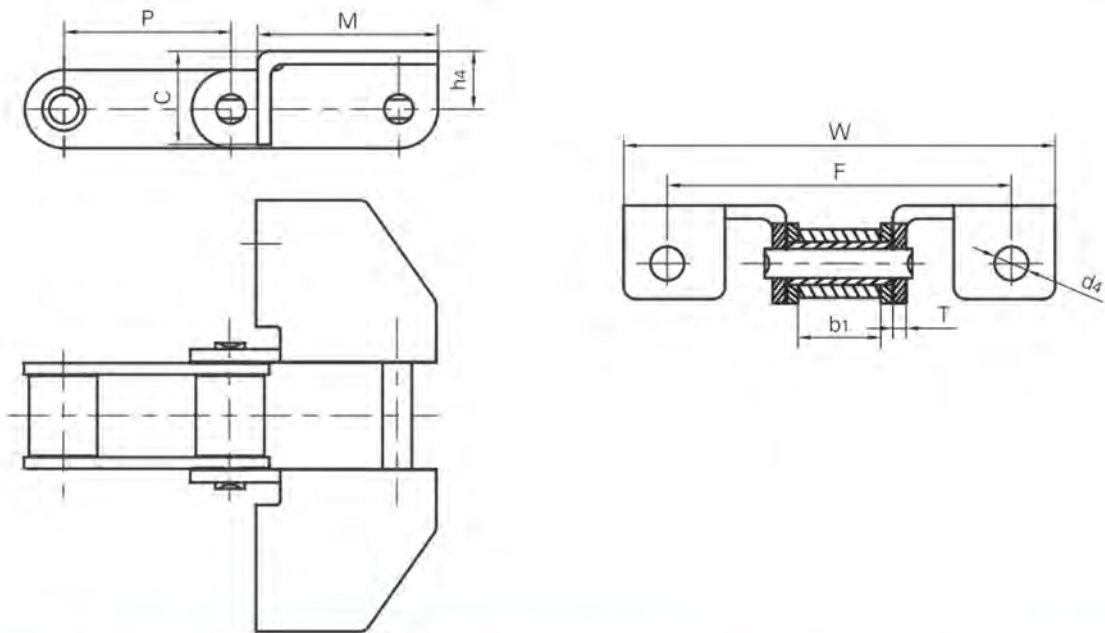
Vision Chain No.	P	b1	h2	T	C	α
	mm	mm	mm	mm	mm	
CA620-C30E	42.01	24.51	20.2	3.25	58.7	22.5°

农机链 Agricultural chains

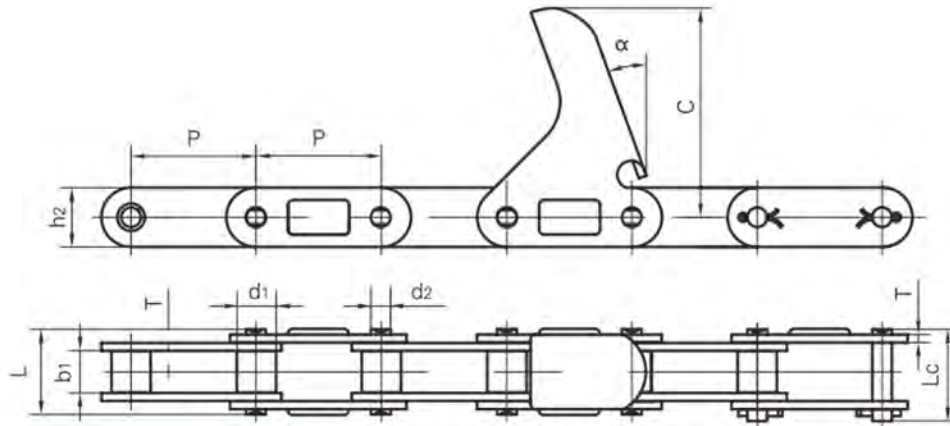
C型钢制农机链附件
C type steel agricultural chain with attac



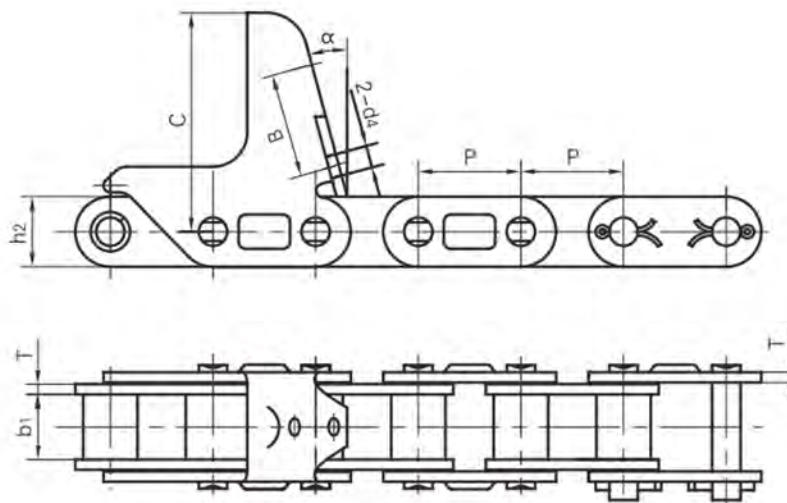
Vision Chain No.	P	b ₁	C	h	H	G	h ₄	F	W	T	d ₄
	mm	mm	mm	mm	mm	mm	mm	mm	mm	mm	mm
CA550-G50	41.4	19.81	23.0	17.5	27.2	30.0	12.9	39.7	57.9	4.0	9.92
CA550-G50S	41.4	19.81	23.0	15.9	25.6	30.0	12.9	39.7	57.9	4.0	9.92



Vision Chain No.	P	b ₁	M	C	F	W	T	h ₄	d ₄
	mm	mm	mm	mm	mm	mm	mm	mm	mm
CA550-F7A	41.4	19.81	44.5	23.3	84.9	106.4	3.25	14.3	8.33

农机链 Agricultural chains
C型钢制农机链附件
C type steel agricultural chain with attac


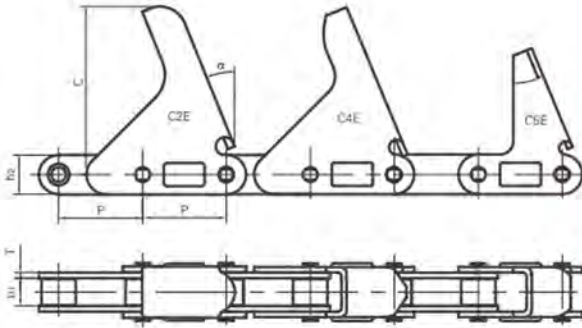
Vision Chain No.	节距 Pitch	滚子直径 Roller diameter	内节内宽 Width between inner plates	销轴直径 Pin diameter	销轴长度 Pin length		链板尺寸 Plate dimension				极限拉伸载荷 Ultimate tensile strength	每米长重 Weight per meter
	P mm	d1 max mm	b1 min mm	d2 max mm	L max mm	Le max mm	h2 max mm	T mm	C mm	α	Q min kN/LB	q kg/m
CA2060-C6E	38.1	11.91	12.57	5.94	25.9	28.3	18.0	2.42	63.5	20.0°	31.1/6996	1.40
CA2060H-C6E	38.1	11.91	12.57	5.94	31.0	31.6	18.0	3.25	63.5	22.5°	31.1/6996	1.78



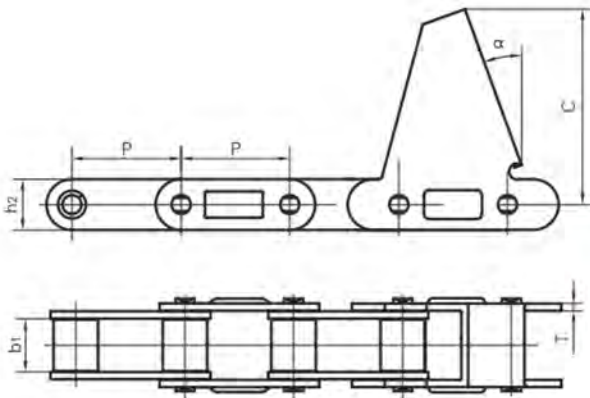
Vision Chain No.	P	b1	h2	B	d4	T	C	α
	mm	mm	mm	mm	mm	mm	mm	
CA627-M40A	30.0	19.05	20.5	36.1	6.5	3.0	63.0	15°

农机链 Agricultural chains

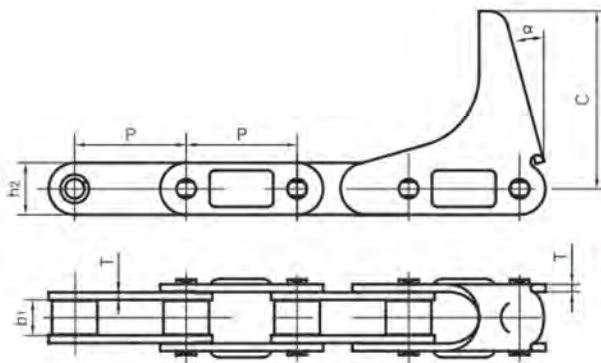
C型钢制农机链附件 C type steel agricultural chain with attac



Vision Chain No.	P	b ₁	h ₂	T	C	α
	mm	mm	mm	mm	mm	
CA2060H-C2E	38.1	12.57	18.0	3.25	76.2	22.5°
CA2060H-C4E	38.1	12.57	18.0	3.25	75.8	22.5°
CA2060H-C5E	38.1	12.57	18.0	3.25	57.2	22.5°



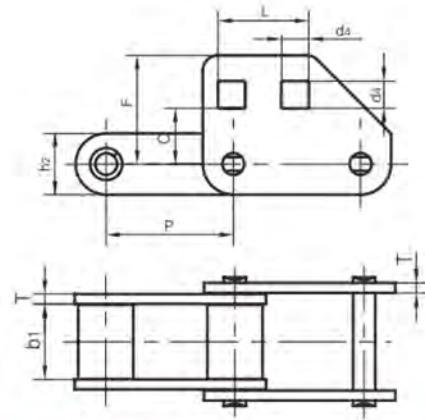
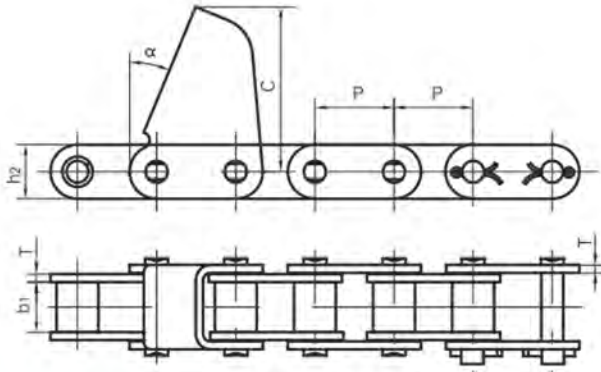
Vision Chain No.	P	b ₁	h ₂	T	C	α
	mm	mm	mm	mm	mm	
CA550-CPE	41.4	19.81	19.3	2.8	74.5	20°



Vision Chain No.	P	b ₁	h ₂	T	C	α
	mm	mm	mm	mm	mm	
CA555-C6E	41.4	12.7	19.3	3.10	63.5	15°
CA555-C6EJ	41.4	12.7	19.3	3.25	66.0	15°

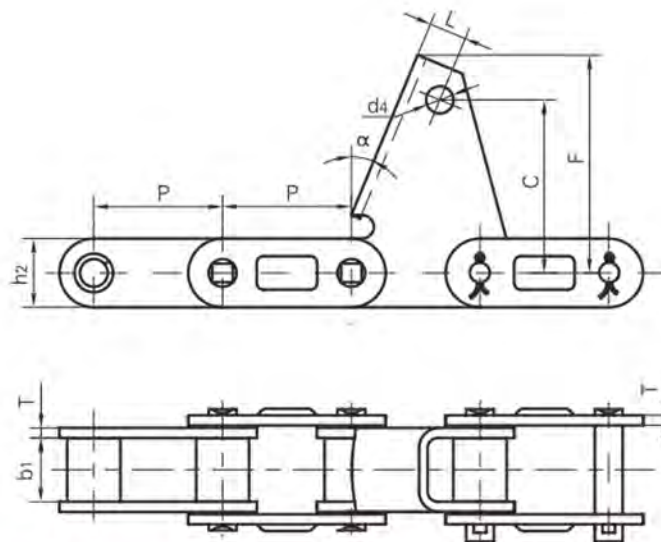
农机链 Agricultural chains

C型钢制农机链附件
C type steel agricultural chain with attac



Vision Chain No.	P	b ₁	h ₂	T	C	α
	mm	mm	mm	mm	mm	
CA627-CPEF1	30.0	19.05	20.5	3.0	62.5	22.5°
CA627-CPEF2	30.0	19.6	20.5	3.0	62.5	22.5°

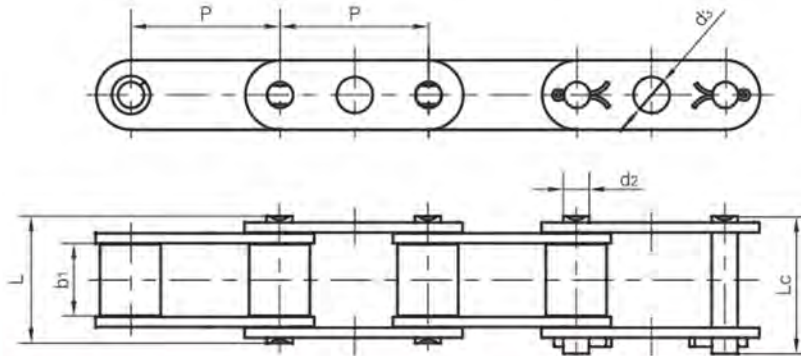
Vision Chain No.	P	b ₁	L	T	C	F	d ₄
	mm	mm	mm	mm	mm	mm	mm
CA620F2	42.01	24.51	30	3.25	18.4	35.9	9



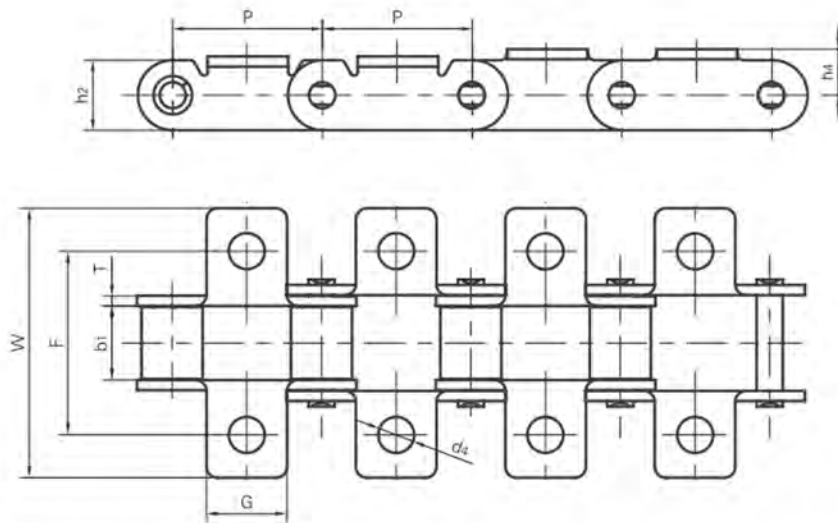
Vision Chain No.	P	b ₁	h ₂	L	d ₄	T	C	F	α
	mm	mm	mm	mm	mm	mm	mm	mm	
38.4VBF4	38.4	19.05	20.5	15.0	8.1	3.0	48.0	64.0	22°

农机链 Agricultural chains

C型钢制农机链附件 C type steel agricultural chain with attac



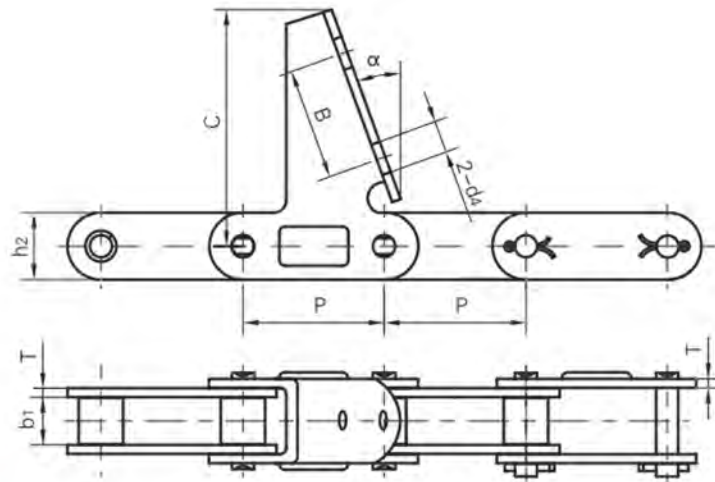
Vision Chain No.	P mm	b ₁ mm	d ₂ mm	d ₃ mm	L mm	L _c mm
CA550GKF1	41.4	19.81	7.19	10	35	38



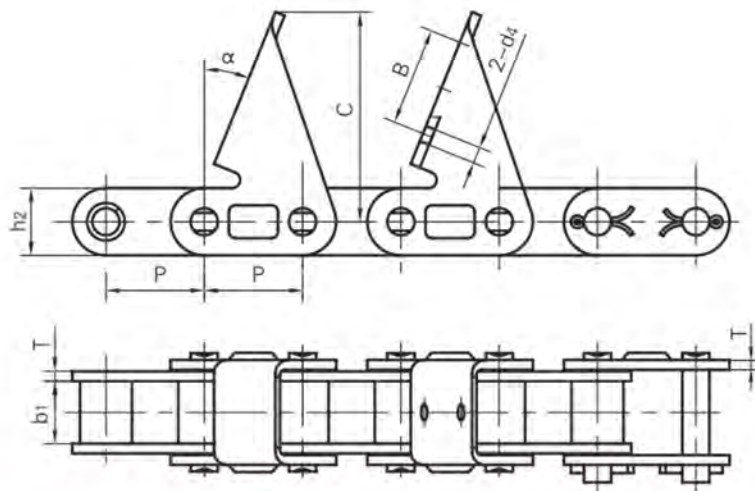
Vision Chain No.	P mm	b ₁ mm	G mm	F mm	W mm	h ₂ mm	h ₄ mm	T mm	d ₄ mm
CA550K11	41.40	19.81	22.2	50.8	75.4	19.3	10.7	2.80	9.92
CA550K17	41.40	19.81	22.2	54.0	76.2	19.3	12.7	2.80	6.75
CA550K20	41.40	19.81	22.2	50.8	76.2	19.3	12.7	2.80	6.75
CA550K22	41.40	19.81	22.2	54.0	76.2	19.3	12.7	2.80	9.53
CA620K1F2	42.01	24.51	22.2	62.7	80.2	20.2	11.5	3.25	6.75
CA620KIS	42.01	24.51	22.2	62.7	80.2	20.2	11.5	3.25	8.33

农机链 Agricultural chains

C型钢制农机链附件
C type steel agricultural chain with attac



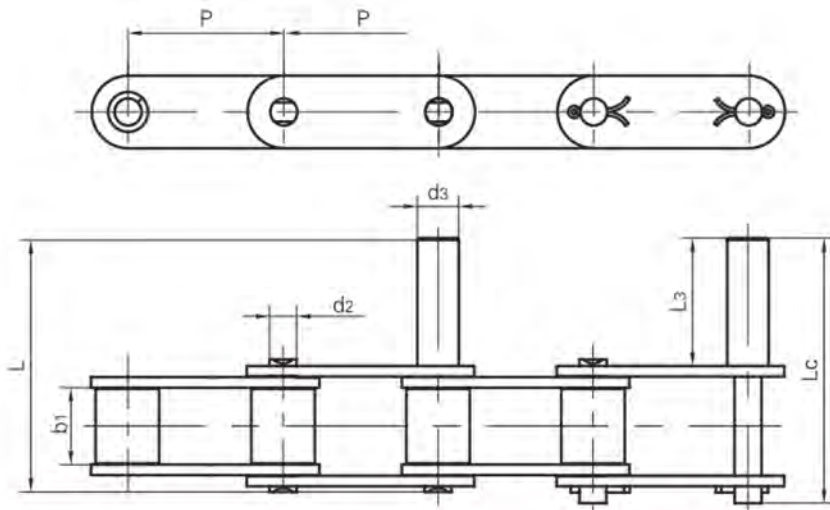
Vision Chain No.	P	b ₁	h ₂	d ₄	T	B	C	α
	mm	mm	mm	mm	mm	mm	mm	
CA2060H-7AUE	38.1	12.57	18.0	8.5	3.25	30	57.2	22.5°



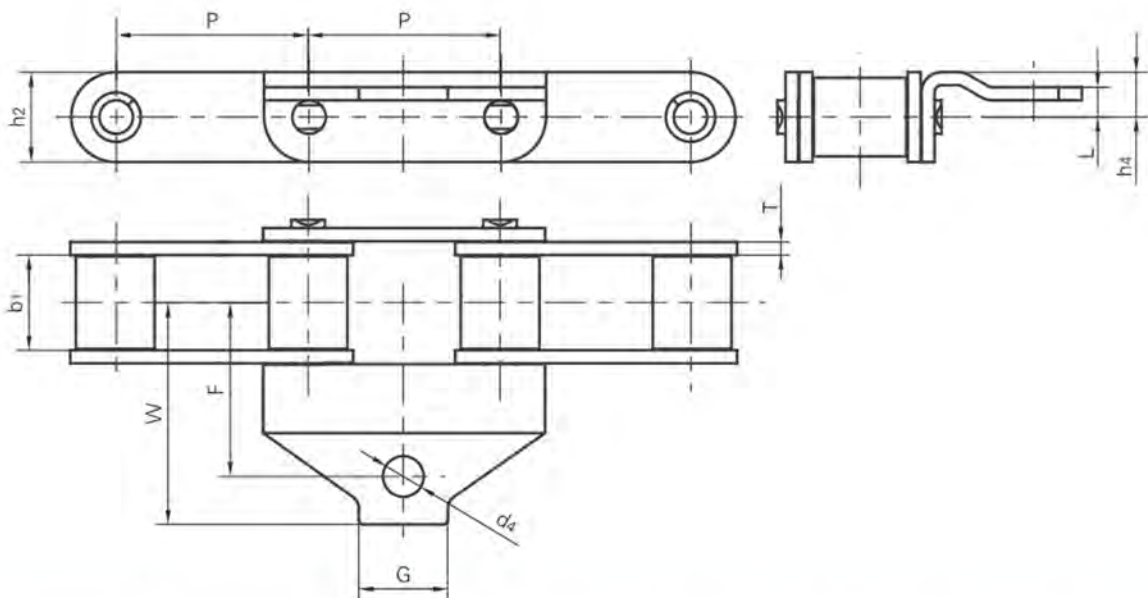
Vision Chain No.	P	b ₁	h ₂	B	d ₄	T	C	α
	mm	mm	mm	mm	mm	mm	mm	
CA627-CPEF3	30.0	19.05	20.5	30.0	5.0	3.0	64.0	22°

农机链 Agricultural chains

C型钢制农机链附件
C type steel agricultural chain with attac



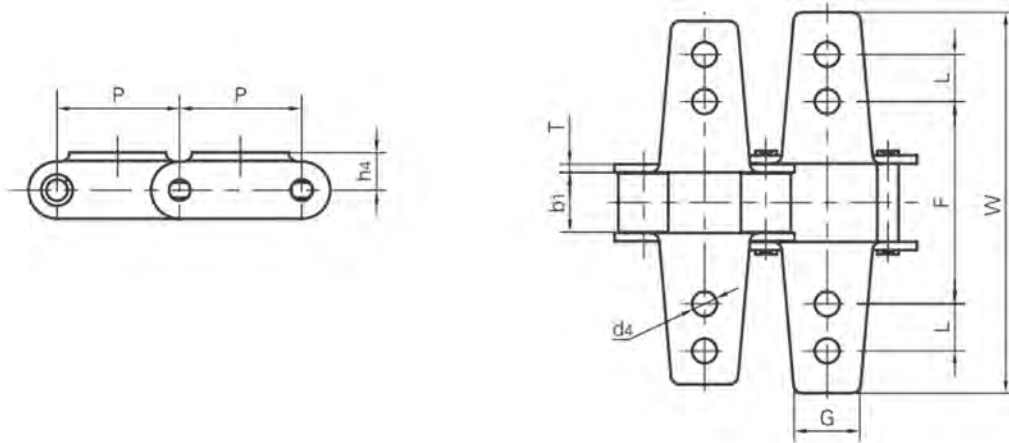
Vision Chain No.	P	b1	d2	d3	L3	L	Le
	mm	mm	mm	mm	mm	mm	mm
CA550-D1	41.4	19.81	7.19	12.7	50.80	84.5	87.5
CA550-D2	41.4	19.81	7.19	7.19	31.75	65.4	68.4
CA550-D4	41.4	19.81	7.19	11.0	34.00	67.7	70.7



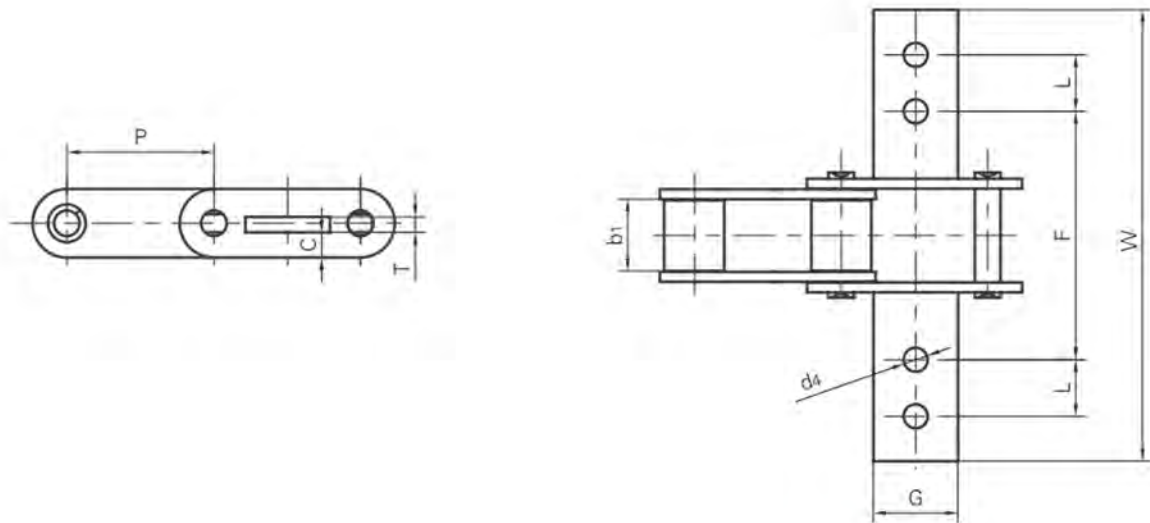
Vision Chain No.	P	b1	G	F	W	h2	L	h4	T	d4
	mm	mm	mm	mm	mm	mm	mm	mm	mm	mm
CA550AH	41.4	19.81	19.1	37.3	47.6	19.3	6.4	9.65	2.8	8.73

农机链 Agricultural chains

C型钢制农机链附件
C type steel agricultural chain with attac



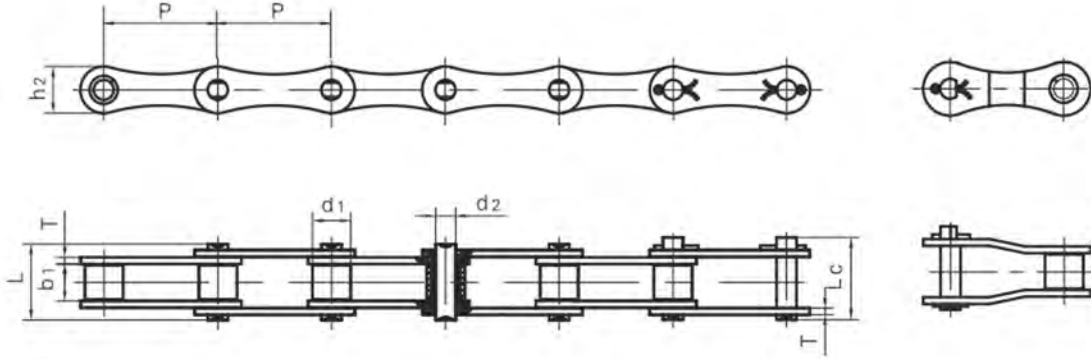
Vision Chain No.	P	b ₁	L	G	F	W	h ₄	T	d ₄
	mm	mm	mm	mm	mm	mm	mm	mm	mm
CA550K6	41.40	19.81	15.9	22.2	68.3	128.6	12.7	2.80	8.33



Vision Chain No.	P	b ₁	G	L	F	W	T	C	d ₄
	mm	mm	mm	mm	mm	mm	mm	mm	mm
CA550K8	41.40	19.81	23.8	15.9	69.9	127.0	4.3	7.1	6.75
CA550K9	41.40	19.81	23.8	15.9	69.9	127.0	4.3	7.9	6.75

农机链 Agricultural chains

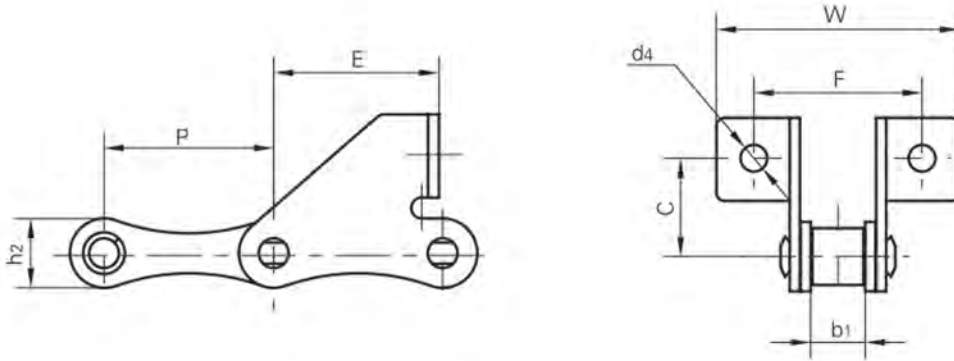
S型钢制农机链 S type steel agricultural chains



Vision Chain No.	节距	滚子直径	内节内宽	销轴直径	销轴长度		内链板高度	链板厚度	极限拉伸载荷	平均拉伸载荷	每米长重
	Pitch	Roller diameter	Width between inner plates	Pin diameter	Pin length		Inner plate depth	Plate thickness	Ultimate tensile strength	Average tensile strength	Weight per meter
	P	d1 max	b1 min	d2 max	L max	Lc max	h2 max	T max	Q min	Q0	q
	mm	mm	mm	mm	mm	mm	mm	mm	kN/LB	kN	kg/m
S32	29.21	11.43	15.88	4.45	26.7	28.8	13.2	1.8	8.0/1818	21.6	0.86
S32V	29.21	11.43	15.88	5.08	27.3	29.7	13.5	2.1	25.0/5680	27.0	0.96
S42	34.93	14.27	19.05	7.00	34.3	37.0	19.8	2.8	27.0/6136	50.8	1.60
S45	41.40	15.24	22.23	5.72	37.7	40.4	17.3	2.8	18.0/4091	36.1	1.66
S51	38.10	15.24	16.00	5.72	30.9	33.8	17.3	2.8	28.0/6364	30.8	1.48
S52	38.10	15.24	22.23	5.72	37.7	40.4	17.3	2.8	18.0/4091	36.1	1.68
55V	41.40	17.90	22.23	8.22	39.3	42.4	20.0	3.0	42.0/9546	45.0	2.22
55VF1	41.40	17.90	22.23	8.22	39.3	42.4	21.4	3.0	45.0/10227	73.1	2.32
S55	41.40	17.78	22.23	5.72	37.7	40.4	17.3	2.8	18.0/4091	36.1	1.80
S55R	41.40	17.78	22.23	8.90	41.0	44.0	22.4	3.5	45.0/10227	73.1	2.49
S55RH	41.40	17.78	22.23	8.90	43.2	46.4	22.4	4.0	65.0/14772	84.5	2.74
S62	41.91	19.05	26.20	5.72	40.3	43.0	17.3	2.5	26.7/6067	36.1	1.87
S77	58.34	18.26	22.23	8.90	43.2	46.4	26.2	4.0	45.0/10227	73.1	2.66
S88	66.27	22.86	28.58	8.90	49.8	53.0	26.2	4.0	45.0/10227	73.1	3.25

农机链 Agricultural chains

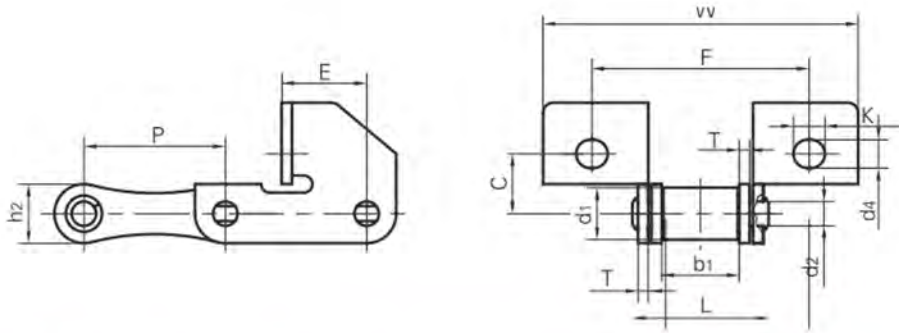
S型钢制农机链附件
S type steel agricultural chain with attac



Vision Chain No.	P	b ₁	C	E	F	W	d ₄	h ₂
	mm	mm	mm	mm	mm	mm	mm	mm
S32SD	29.21	15.88	20.0	19.2	58.0	78.0	6.4	13.2
S45W-F1	41.40	22.23	20.0	37.0	58.0	87.0	6.6	17.3
S45W-F4	41.40	22.23	20.5	33.2	58.0	85.6	6.6	17.3
S45F1	41.40	22.23	21.0	25.0	62.4	83.4	8.5	17.3
S45SDF2	41.40	22.23	21.0	28.5	62.4	83.4	8.5	17.3
S52SD	38.10	22.23	20.0	19.2	62.0	88.5	6.4	17.3
S52F4	38.10	15.80	20.6	37.0	53.8	69.5	6.4	16.7
S52F8	38.10	22.23	20.6	37.0	60.7	76.4	6.4	17.3
S55F2	41.40	22.23	20.0	37.0	58.0	87.0	6.4	17.3
S55F3	41.40	22.23	20.5	33.2	58.0	85.6	6.6	17.3
S55F4	41.40	22.23	20.0	37.0	58.0	87.0	6.6	17.3
S55F6	41.40	22.23	20.0	30.0	58.0	87.0	6.4	17.3
S55F7	41.40	22.23	20.5	33.2	62.0	85.6	6.6	17.3

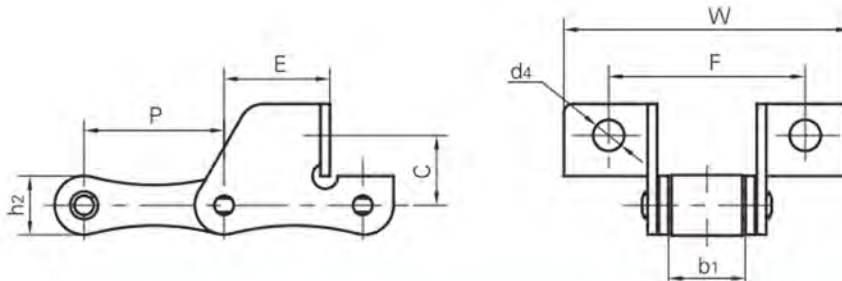
农机链 Agricultural chains

S型钢制农机链附件
S type steel agricultural chain with attac



Vision Chain No.	节距	滚子直径	内节内宽	销轴直径	销轴长度	链板尺寸		极限拉伸载荷	每米长重
	Pitch	Roller diameter	Width between inner plates	Pin diameter	Pin length	Plate dimension	Ultimate tensile strength	Weight per meter	
	P	d1 max	b1 min	d2 max	L max	h2 max	T	Q min	q
	mm	mm	mm	mm	mm	mm	mm	kN/LB	kg/m
S45HF1	41.4	15.24	22.23	7.14	39.5	17.3	3.0	36.75/8267	2.0
S55HSD	41.4	17.78	22.23	8.28	39.5	20.4	3.0	45.0/10122	2.9

Vision Chain No.	P	C	E	F	W	d4	K
	mm	mm	mm	mm	mm	mm	mm
S45HF1	41.4	17.50	24.9	63.4	92.0	8.3	9.2
S55HSD	41.4	20.60	32.5	64.0	91.0	7.5	10.7

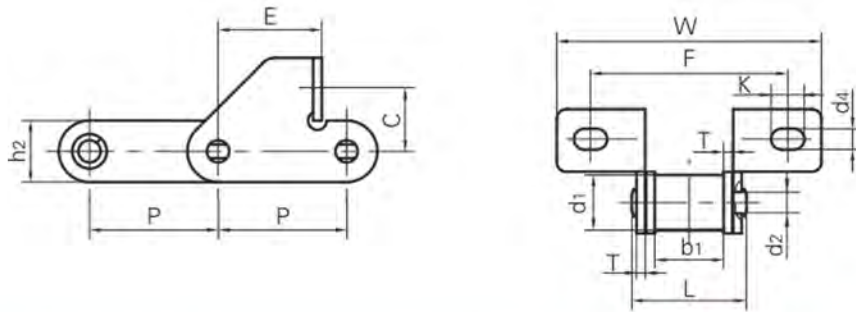


Vision Chain No.	P	b1	C	E	F	W	d4	h2
	mm	mm	mm	mm	mm	mm	mm	mm
S45SD	41.4	22.23	17.00	28.6	58.0	81.2	8.5	17.3
S52SDF1	38.1	15.80	19.56	20.0	56.0	82.0	6.4	17.3

农机链 Agricultural chains

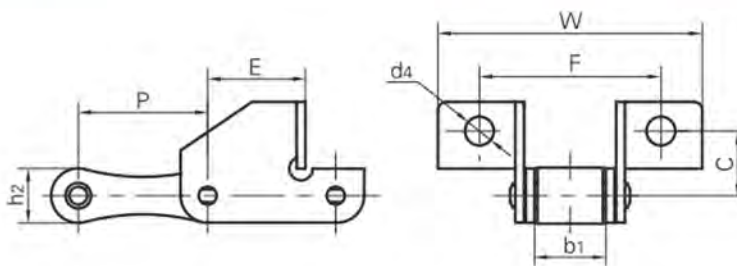
S型钢制农机链附件

S type steel agricultural chain with attac



Vision Chain No.	节距 Pitch	滚子直径 Roller diameter	内节内宽 Width between inner plates	销轴直径 Pin diameter	销轴长度 Pin length	链板尺寸 Plate dimension		极限拉伸载荷 Ultimate tensile strength	每米长重 Weight per meter
	P	d ₁ max	b ₁ min	d ₂ max	L max	h ₂ max	T	Q min	q
	mm	mm	mm	mm	mm	mm	mm	kN	kg/m
S55F9SD	41.4	17.78	22.2	7.14	37.0	19.8	2.8	35.0/7873	2.7

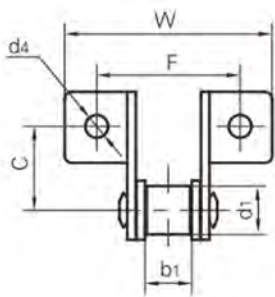
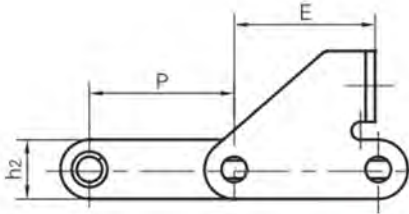
Vision Chain No.	P	C	E	F	W	d ₄	K
	mm	mm	mm	mm	mm	mm	mm
S55F9SD	41.4	20.5	33.4	62.0	85.4	6.7	10.7



Vision Chain No.	P	b ₁	C	E	F	W	d ₄	h ₂
	mm	mm	mm	mm	mm	mm	mm	mm
S55F1	41.4	22.23	19.0	31.9	62.0	89.2	8.3	17.3
S55RSD	41.4	22.23	19.0	31.9	62.0	89.2	8.3	22.4

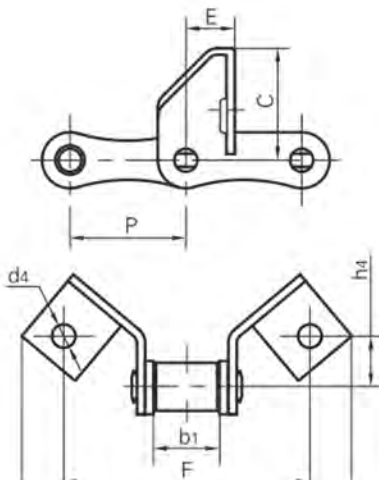
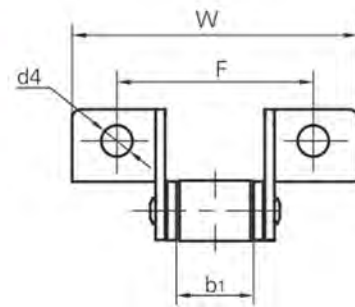
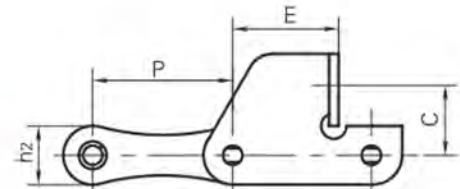
农机链 Agricultural chains

S型钢制农机链附件
S type steel agricultural chain with attac



Vision Chain No.	P	d1	b1	C	E	F	W	d4	h2
	mm	mm	mm	mm	mm	mm	mm	mm	mm
S52F11SD	38.1	16.00	17.5	21.0	23.0	55.0	75.0	8.3	20.0
S52F3	38.4	15.88	18.5	24.0	37.4	52.0	73.0	8.7	17.5
S55F8SD	41.4	17.78	22.2	20.5	33.4	58.0	85.4	6.7	19.8

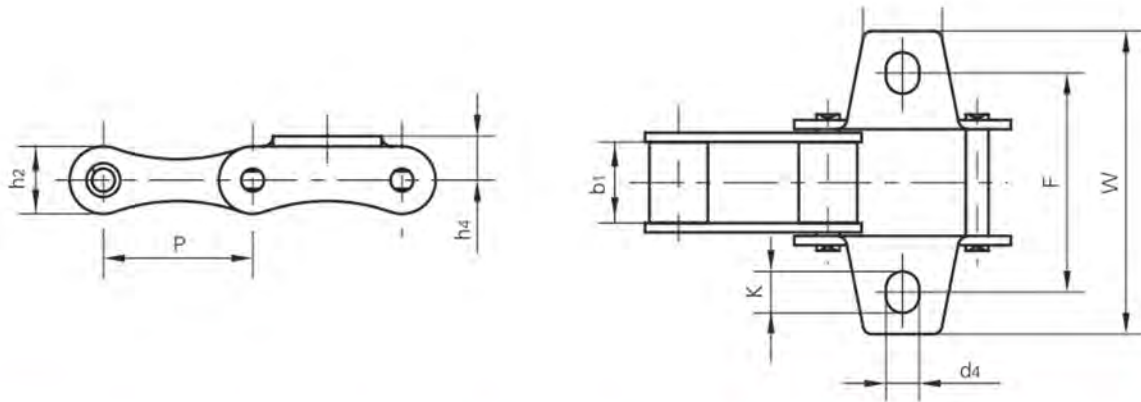
Vision Chain No.	P	b1	C	E	F	W	d4	h2
	mm	mm	mm	mm	mm	mm	mm	mm
S45V	41.4	22.23	21.0	28.5	62.4	83.4	8.8	17.3
S45SDF1	41.4	22.23	17.5	31.9	62.0	91.0	8.5	17.3
S55V	41.4	22.23	21.0	28.5	57.5	83.4	6.5	17.3
S55SDF1	41.4	22.23	20.0	31.9	58.0	89.2	6.5	17.3



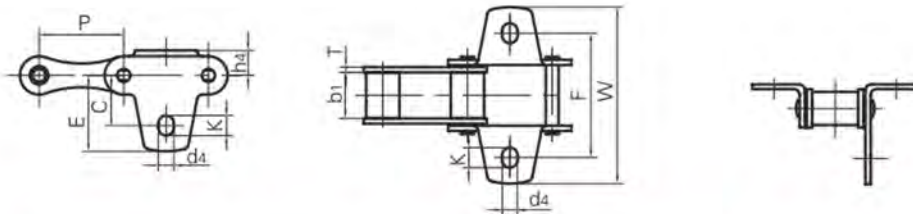
Vision Chain No.	P	b1	C	E	F	W	h4	d4
	mm	mm	mm	mm	mm	mm	mm	mm
55VSE	41.4	22.23	41.0	17.5	88	118	18.44	8.4
55VSEL	41.4	22.23	41.0	31.3	88	118	18.44	8.4

农机链 Agricultural chains

S型钢制农机链附件
S type steel agricultural chain with attac



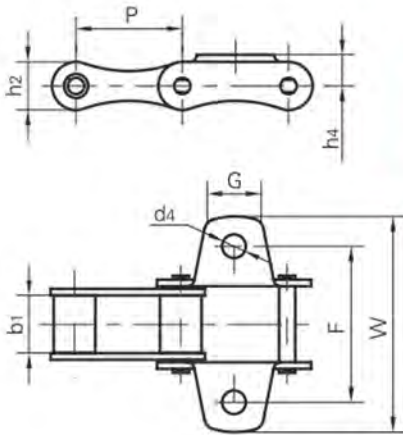
Vision Chain No.	P	b ₁	G	F	W	h ₄	d ₄	K	h ₂
	mm	mm	mm	mm	mm	mm	mm	mm	mm
S32K1	29.21	15.88	15.0	42.9	61.0	8.6	5.3	6.9	13.2
S32K1F1	29.21	15.88	15.0	42.9	61.0	8.6	6.5	8.1	13.2
S42K1	34.93	19.05	17.5	54.0	74.9	14.0	8.3	11.5	19.8
S45K1	41.40	22.23	22.0	54.0	75.0	11.4	8.5	11.7	17.3
S51K1	38.10	16.00	19.0	49.8	71.5	11.4	8.3	9.9	17.3
S52K1	38.10	22.23	19.0	58.8	78.0	11.4	8.3	9.9	17.3
S52K1F1	38.10	22.23	19.0	58.8	78.0	11.4	6.6	8.2	17.3
S55K1	41.40	22.23	22.0	54.0	75.0	11.4	8.5	11.7	17.3
S55K1F1	41.40	22.23	22.0	54.0	75.0	11.4	6.5	9.5	17.3
S55HK1	41.40	22.23	34.0	52.7	82.0	13.4	8.4	11.4	20.4
S62K1	41.91	26.20	22.0	66.8	95.4	11.4	8.3	14.7	17.3
S62A2K1	41.91	26.20	22.0	66.7	95.5	12.6	8.3	14.7	17.3



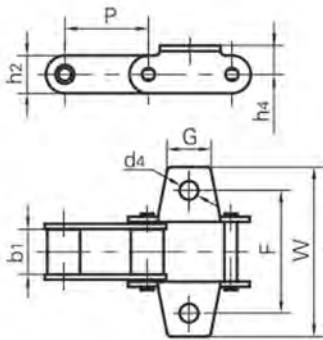
Vision Chain No.	P	b ₁	T	C	E	F	W	d ₄	K	h ₄
	mm	mm	mm	mm	mm	mm	mm	mm	mm	mm
S32F1	41.4	29.21	1.8	17.3	26.2	42.9	60	5.3	6.9	8.6

农机链 Agricultural chains

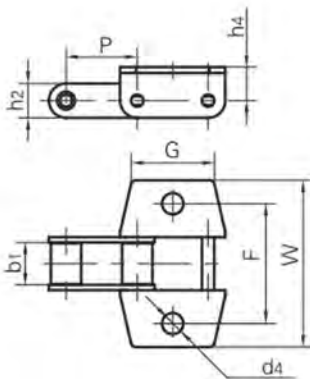
S型钢制农机链附件 S type steel agricultural chain with attac



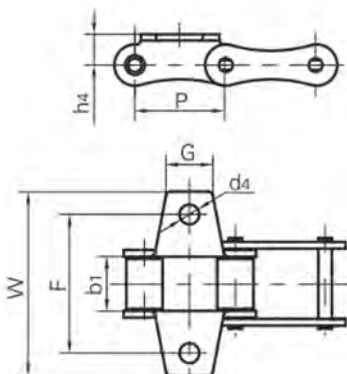
Vision Chain No.	P	b ₁	G	F	W	h ₄	d ₄	h ₂
	mm	mm	mm	mm	mm	mm	mm	mm
S32K1F2	29.21	15.88	15.0	42.9	61.0	8.6	5.3	13.2
S52K1F2	38.10	22.23	22.0	58.7	76.5	11.4	8.5	17.3
S45K1F1	41.40	22.23	22.0	51.0	75.0	11.4	7.2	17.3
55VK1F1	41.40	22.23	22.0	56.0	75.0	16.0	10.0	20.0
S55F5	41.40	22.23	22.0	56.0	75.0	11.4	10.0	17.3
S77K1F1	58.34	22.23	26.0	76.2	103.8	20.8	10.5	26.2



Vision Chain No.	P	b ₁	G	F	W	h ₄	d ₄	h ₂
	mm	mm	mm	mm	mm	mm	mm	mm
S52F1	38.4	18.5	23.0	57.5	80.0	16.0	8.7	17.5



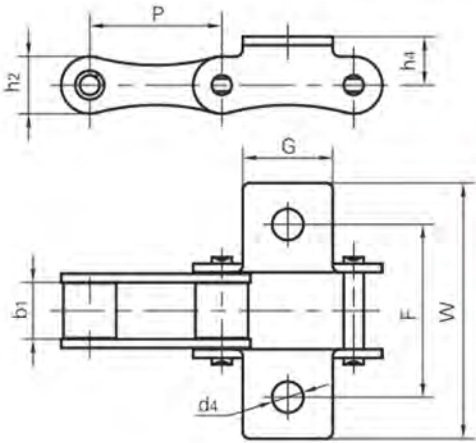
Vision Chain No.	P	b ₁	G	F	W	h ₄	d ₄	h ₂
	mm	mm	mm	mm	mm	mm	mm	mm
S52F2	38.4	18.50	39.0	57.0	80.0	16.0	10.5	17.5
S52F7	38.4	19.05	39.0	58.4	82.4	14.5	10.5	20.5
S52F12	38.1	19.05	39.0	57.5	79.5	14.5	10.0	14.5



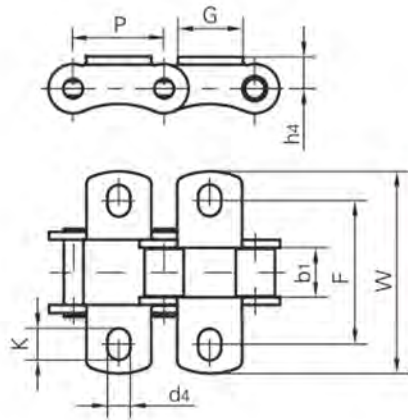
Vision Chain No.	P	b ₁	G	F	W	h ₄	d ₄
	mm	mm	mm	mm	mm	mm	mm
S52F6	38.1	22.23	19.0	51.2	71.7	16.5	8.3

农机链 Agricultural chains

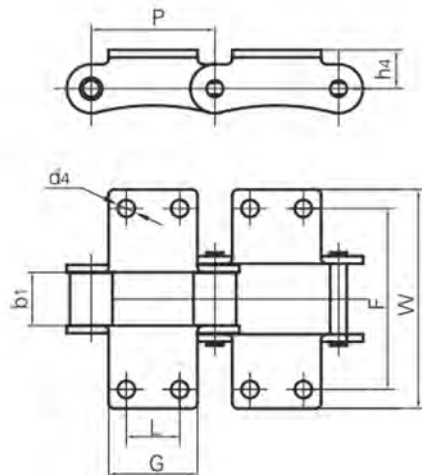
S型钢制农机链附件
S type steel agricultural chain with attac



Vision Chain No.	P mm	b1 mm	G mm	F mm	W mm	h4 mm	d4 mm
S52LK1	38.1	16.4	26.0	50.0	74.0	14.0	9.0
55VK1	41.4	22.23	30.0	58.0	76.0	16.0	9.0



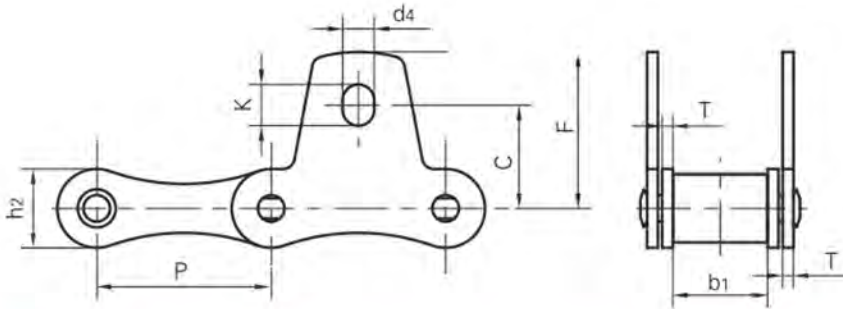
Vision Chain No.	P mm	b1 mm	G mm	F mm	W mm	h4 mm	d4 mm	K mm
S55RK1	41.4	22.23	25.0	63.6	90.4	15.5	8.6	12.0
S55RHK1	41.4	22.23	25.0	63.6	90.4	15.5	8.6	12.0



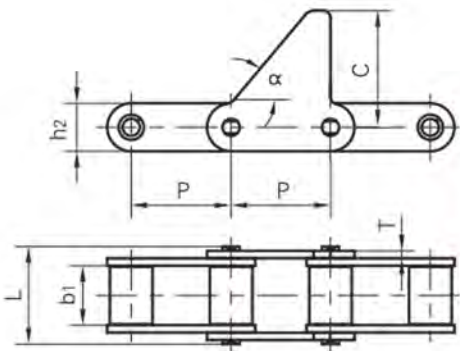
Vision Chain No.	P mm	b1 mm	L mm	G mm	F mm	W mm	h4 mm	d4 mm
S88K2F1	41.3	28.58	28.6	47.6	97.0	117.4	20.8	9.2

农机链 Agricultural chains

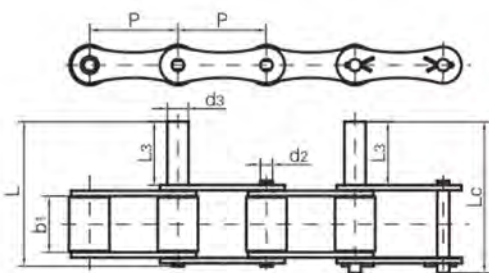
S型钢制农机链附件
S type steel agricultural chain with attac



Vision Chain No.	P	b ₁	h ₂	T	C	F	d ₄	K
	mm	mm	mm	mm	mm	mm	mm	mm
S32SK1	29.21	15.88	13.2	1.8	17.3	26.2	5.3	6.9
S42SK1	34.93	19.05	19.8	2.8	23.6	34.3	8.3	11.5
S45SK1	41.40	22.23	17.3	2.8	19.8	30.2	8.3	11.5
S52SK1	38.10	22.23	17.3	2.8	22.1	31.8	8.3	9.9
S55SK1	41.40	22.23	17.3	2.8	19.8	30.2	8.3	11.5
S62SK1	41.91	26.2	17.3	2.5	24.6	38.6	8.3	14.7
S77SK1	58.34	22.23	26.2	4.0	36.3	50.0	8.3	11.5
S88SK1	66.27	28.58	26.2	4.0	43.7	55.6	8.3	9.9



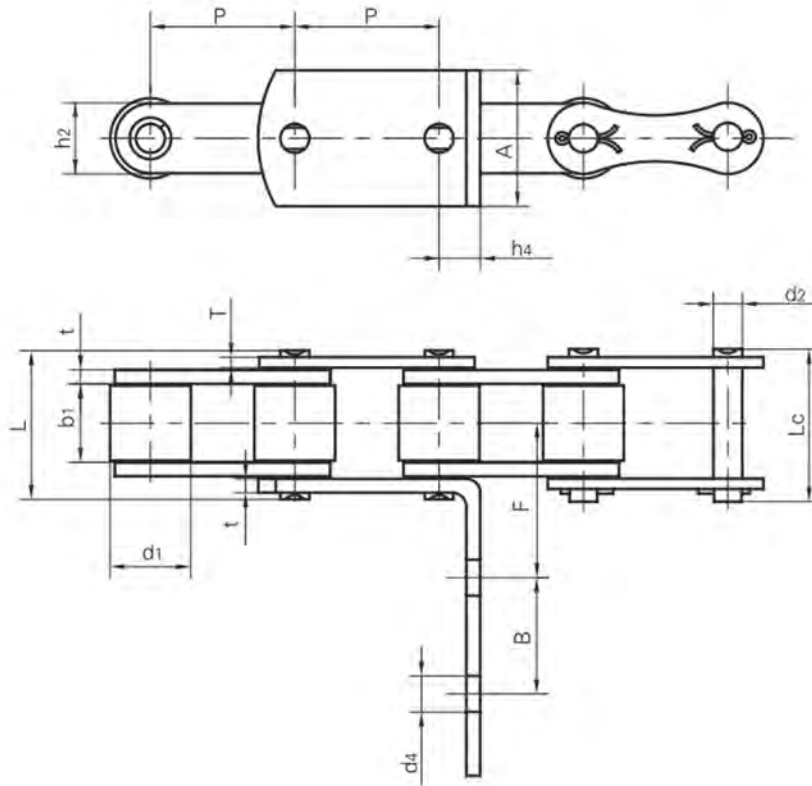
Vision Chain No.	P	b ₁	C	α	L	T	h ₂
	mm	mm	mm	°	mm	mm	mm
S62F1	41.91	25.4	60.0	50°	41.9	3.0	20.0



Vision Chain No.	P	b ₁	d ₂	d ₃	L ₃	L	L _c
	mm	mm	mm	mm	mm	mm	mm
S62-D4	41.91	26.2	5.72	10	35	73.8	76.5

农机链 Agricultural chains

S型钢制农机链附件
S type steel agricultural chain with attac

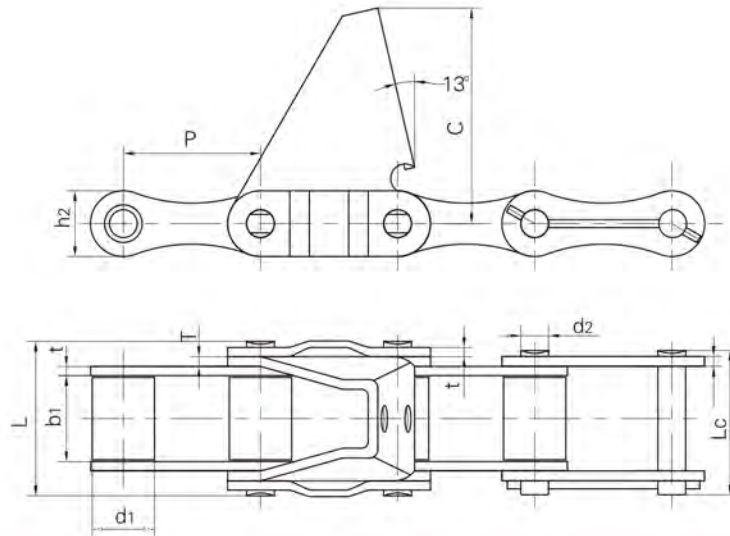


Vision Chain No.	节距	滚子直径	内节内宽	销轴直径	销轴长度		链板尺寸		极限拉伸载荷	每米长重
	Pitch	Roller diameter	Width between inner plates	Pin diameter	L	Lc	Plate dimension	Ultimate tensile strength	Weight per meter	
	mm	d1 max	b1 min	d2 max	mm	mm	h2 max	t/T	Q min	q
	mm	mm	mm	mm	mm	mm	mm	mm	kN/LB	kg/m
S55HF2	41.4	23.00	22.23	8.28	42.0	45.5	20.0	4.0/3.0	47.5/10685	4.27
S55HF1	41.4	17.78	22.23	8.28	39.5	42.8	20.4	3.0	45/10122	2.90

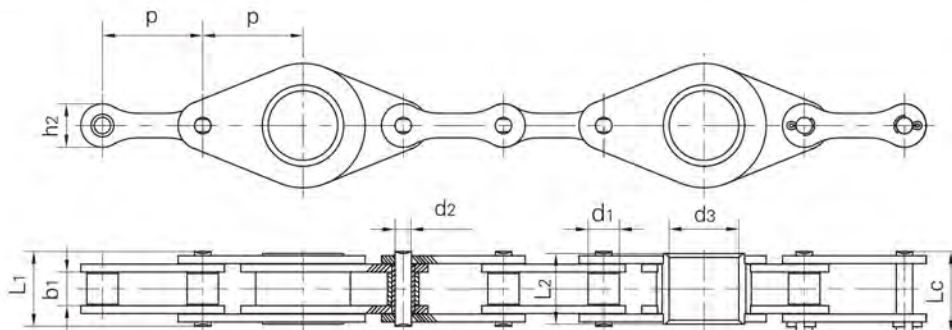
Vision Chain No.	P	A	B	F	h4	d4
	mm	mm	mm	mm	mm	mm
S55HF2	41.4	39.0	50	61.0	11.8	8.3
S55HF1	41.4	30.0	30	32.0	13.5	6.5

农机链 Agricultural chains

S型钢制农机链附件 S type steel agricultural chain with attachments



Chain No.	节距 Pitch	滚子直径 Roller diameter	内节内宽 Width between inner plates	销轴直径 Pin diameter	销轴长度 Pin length		链板尺寸 Plate dimension			极限拉伸载荷 Ultimate tensile strength	平均拉伸载荷 Average tensile strength
	P	d ₁ max	b ₁ min	d ₂ max	L ₁ max	L _c max	h ₂ max	t/T	C	Q _{min}	Q ₀
	mm	mm	mm	mm	mm	mm	mm	mm	mm	kN/LB	kN
S62R-C6E	41.91	19.05	25.8	8.5	47.8	44.6	20.1	2.8/3.0	66.0	42.0/9448	43.7



Chain No.	节距 Pitch	滚子直径 Roller diameter	内节内宽 Width between inner plates	销轴直径 Pin diameter	空心销轴内径 Hollow pin inner diameter	销轴长度 Pin length			内链板高度 Inner plate depth	极限拉伸载荷 Ultimate tensile strength	平均拉伸载荷 Average tensile strength
	P	d ₁ max	b ₁ min	d ₂ max	d ₃ max	L ₁ max	L ₂ max	L _c max	h ₂ max	Q _{min}	Q ₀
	mm	mm	mm	mm	mm	mm	mm	mm	mm	kN/LB	kN
216BF1	50.8	15.88	17.02	8.28	35.3	37.8	35.8	41.3	22.0	60.0/13636	70.8
CA650F8	50.8	19.05	19.05	9.53	35.3	40.4	37.8	44.7	25.0	90.0/20454	99.0



劲普机械

Jinpu Mechanical

Address: Room 417-1, Building 8, No. 5-4 Yunhe Road, Chongxian Street,
Yuhang District, Hangzhou City, Zhejiang Province, China.

Tel: 86-(0)571-88277778

Fax: 86-(0)571-85853285

E-mail: info@jpmach.com

Website: www.jpmach.com